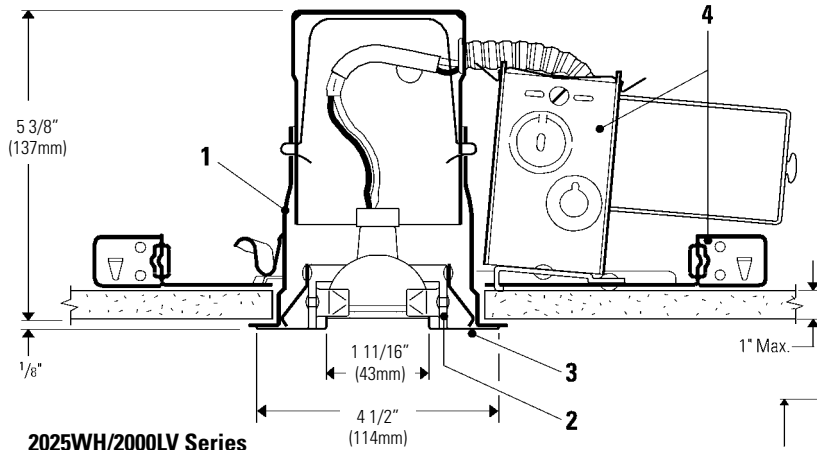
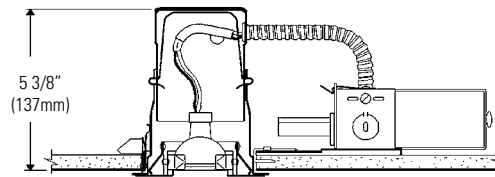


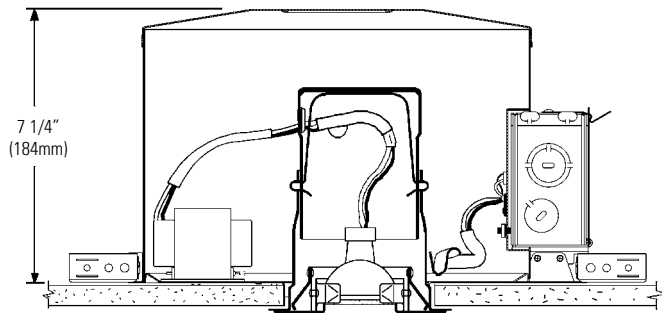
Project: _____
 Location: _____
 Cat.No: _____
 Type: _____
 Lamps: _____ Qty: _____
 Notes: _____



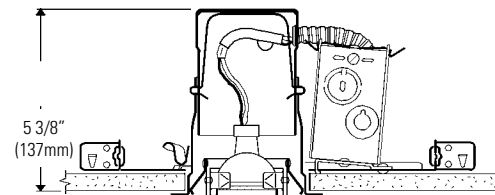
2025WH/2000LV Series
Standard MR16



2025WH/2000LVR
Remodeler/Non-IC



2025WH/2004ICV/N
Lytefning™ AirSeal® Insulated Ceiling



2025WH/2000LVNT
Low Voltage Remote Transformer

Complete Fixture consists of Reflector Trim & Frame-In Kit. Select each separately.

Reflector Trim	Frame-In Kit — See Individual Frame-In Kit Specification Sheets			
	Low Voltage			
	Frame-In Kit	Installation Type	Lamping	Height
2025WH Matte White	2000LV	Standard Non-IC	20W-50W MR16	5 3/8"
	2000LVR	Remodeler Non-IC	37W MR16	5 3/8"
	2000LVRE1	Remodeler Non-IC	37W MR16	5 3/8"
	2000LVE1	Electronic Low Voltage Non-IC 120V	20W-50W MR16	5 3/8"
	2000LVE2	Electronic Low Voltage Non-IC 277V		5 3/8"
	2004ICV/N	Lytefning AirSeal® IC	20W-50W MR16	7 1/4"
	2000LVNT	Non-IC (no transformer)	20W-42W MR16	5 3/8"

2025WH Lytecaster Low Voltage 3 3/4"

MR16 Mini Swivel Trim

Features

1. **Housing:** .036" (#20 ga.) galvanized steel.
2. **Swivel Housing:** Die-formed, 27 ga. steel. Provides 0° to 30° vertical adjustment; matte white finish.
3. **Trim Flange:** Die-formed, 22 ga. cold rolled steel. Matte white finish.
4. **Frame-In Kit:** (2000LV standard frame shown) Other frames shown on the right. See Frame-In Kit specification sheets for more details.

Options & Accessories

Retaining Clips: 1955 - For Installing in Existing Ceiling.

Labels

UL (Suitable for damp locations), I.B.E.W.

