

CHLORIDE

by  Signify



Exit/Emergency

TruPath

Remote unit TPR



Project: _____

Location: _____

Cat.No: _____

Type: _____

Lamps: _____ Qty: _____

Notes: _____

The Chloride TruPath remote unit TPR is an multi-purpose product that features a low-profile, contemporary design with aesthetic appeal for most commercial applications, yet also offers a wet location listed option, making it durable enough for harsher industrial environments. The TPR utilizes either one or two long lasting LED light sources providing exceptional emergency illumination.

Ordering guide

Example: TPR2LM7WG

Series	No. of lamp heads	Source	Housing Color	Options
TPR			W	
TPR TruPath LED multi-purpose remote unit	1 One lamp head 2 Two lamp heads	LM5 LED, MR16, 12V-5W LM7 LED, MR16, 12V-7W	W White	blank Dry/damp locations G Gasket (for wet location, and NSF applications)

Codes and standards

- ETL listed
- NFPA 101, NEC, IBC, BOCA, and OSHA illumination standard
- Meets ADA specifications for wall mounted lighting fixtures
- TPRG meets NEMA 3X standard

Construction

- This product is constructed of high-impact resistant UL924 V-0.5VA polycarbonate material.
- Polycarbonate high-impact resistant backplate is designed to mount securely to a single gang recessed wall or ceiling junction box.
- Standard backplate finish is available in white.

- The polished cover is UV stabilized, impact-resistant material.
- The TPR Series is suitable for use in dry, damp, wet, NSF, and outdoor applications. Specify "G" (gasket) on all applications, except for dry/damp location applications.

Installation

- The backplate is secured via a universal knockout pattern to a recessed junction box (hardware supplied by others).
- Keyhole knockout slots are provided for additional support or mounting options.

- If option "G" (gasketed) is selected, additional caulking may be required around edges of the backplate to provide a proper weather seal.

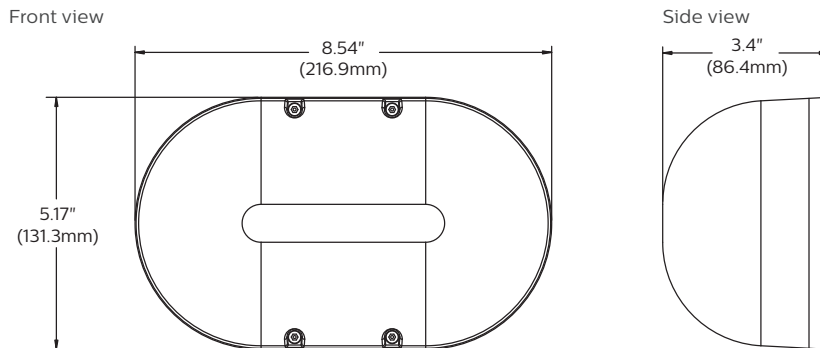
Light source

- Illumination is provided by LEDs which can be adjusted 180° vertically and horizontally.
- The TPR Series is available with 12V, 5W or 7W MR16 LED lamps.



TPR TruPath remote unit

Dimensions



Performance

Meets Life Safety Code illumination standard; average of 1.0 FC, no point less than 0.1 FC, max to min ratio of 40:1. Assumes open space with no obstructions.

TruPath remote unit performance									
		Space: 200' x 200' x 30' – 10/10/10					6' Corridor – 80/50/20		
Source		Wall mount					Wall mount	Ceiling mount	
LM5 LED	Mtg Ht						7.5'		
	Spacing						80'		
LM7 LED	Mtg Ht	8'	10'	12'	16'	20'	8'	9'	10'
	Spacing	88'	70'	65'	60'	55'	77'	95'	95'

The center-to-center spacing results are based on emergency illumination on a 6ft wide Path of Egress.

Lumen output:

LM5 (5W) 317 lumens per lamp head (totals 634 lumens per unit utilizing two LM5 LED lamp heads)

LM7 (7W) 516 lumens per lamp head (totals 1032 lumens per unit utilizing two LM7 LED lamp heads)

