



# CHLORIDE

by Signify

## Exit/Emergency

Edge-Glo

Edge-lit LED exit sign,  
wall mount



Project: \_\_\_\_\_

Location: \_\_\_\_\_

Cat.No: \_\_\_\_\_

Type: \_\_\_\_\_

Lamps: \_\_\_\_\_ Qty: \_\_\_\_\_

Notes: \_\_\_\_\_

## Ordering guide

Sample #: WGLOLEDRCW\*

Family	Battery	Letter/Background Colors <sup>2,4</sup>	Directional Indicator	Housing Color	Options
<b>WGLO</b>					
<b>WGLO</b> Edge-Glo Recessed Wall Housing and Panel	<b>LED LEDX</b> AC Only, LED Nicad Battery LED	<b>RC</b> Red LED on Clear <b>RW</b> Red LED on White	<b>Single Face Exit Panels (Blank)</b> <b>R</b> No Chevrons <b>Chevron Right</b> <b>L</b> Chevron Left <b>D</b> Chevron Double	<b>W</b> White <b>B</b> Black	<b>SW</b> Special Wording <sup>3</sup> Refer to special wording legend for suffix for specific messages. For example: SW-E2.  Message color is available in red, other colors must be specified.

### Footnotes

<sup>1</sup>WGLO recessed housing does not have a painted finish.

<sup>2</sup>Single face signs are available with either a clear or white background.

<sup>3</sup>Special Wording is available (Refer to Special Wording legend).

<sup>4</sup>EXIT Panels available with 6" letters only (Consult Factory for EXIT signs with 8" letters).

\*One catalog number is only required for this exit sign (includes both the Housing and the Panel/Faceplate.)

### codes and standards

- UL 924 Listed (AC only exits)
- ETL Listed to UL 924 Standards
- NFPA 101, NEC, IBC, BOCA, and OSHA illumination standard
- DoE compliant

### construction

Recessed Wall housings:

- 20 gauge galvanized steel housing
- Frame out the opening on the wall with the aid of the housing, and secure through the slots into the framing material.

### panel/faceplates

- Injection molded clear acrylic panels with chamfered edges.
- Bottom edge is reflectorized to facilitate uniform illumination.
- Red letters and chevrons are reverse silk screened onto panels.
- Panels are pre-installed into a die-formed 18 gauge cold rolled steel frame that attaches to the recessed housing with 2 concealed wing-nuts.
- The LED strip is provided as part of panel assembly with a quick plug connector for electrical connection to housing.
- There are no exposed fasteners on faceplate.
- Standard faceplate finish is white polyester-resin powder coat.
- Optional Black finish.

### electronics

- 120/277 VAC dual voltage input.
- Self-powered models include brownout detection, AC lockout, low voltage disconnect, AC power indicator and push-to-test switch.
- Operating temperature range: standard location listed: 77°F (25°C).

### power consumption

- AC only red: (120VAC) .034 A, PF - 0.96, (277VAC) .015 A, PF - 0.91.
- Emergency operation red: (120VAC) .043 A, PF - 0.95, (277VAC) .019 A, PF - 0.97.

### lamps

- Illumination of the exit face is accomplished with long-lasting, high output red or green LEDs.



# WGLO Edge-Glo edge-lit LED exit sign, wall mount

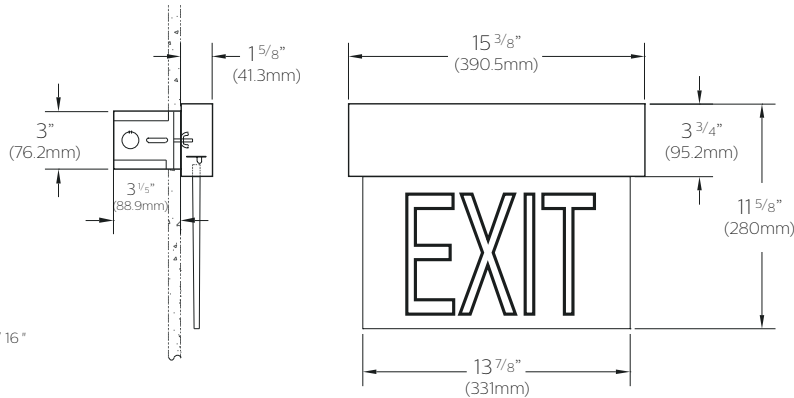
## battery

- Maintenance free sealed nickel cadmium battery.
- Provides a minimum of 90 minutes of emergency power.

## warranty

- Five full year warranty on electronics and unit.
- Nicad Battery: 3 year full with 7 year pro-rata.

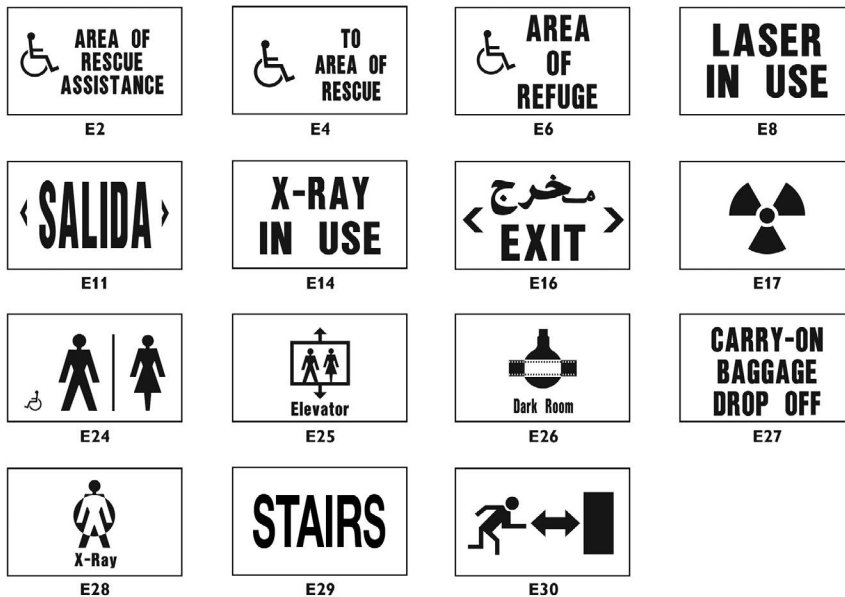
## dimensions



WALL OPENING

DIMENSION: 14 5/8" x 3 1/16"

## Special Wording Examples (other options available)



## Buy American Act of 1933 (BAA):

This product is manufactured in one of our US factories and, as of the date of this document, this product was considered a commercially available off-the-shelf (COTS) item meeting the requirements of the BAA. This BAA designation hereunder does not address (i) the applicability of, or availability of a waiver under, the Trade Agreements Act, or (ii) the "Buy America" domestic content requirements imposed on states, localities, and other non-federal entities as a condition of receiving funds administered by the Department of Transportation or other federal agencies. Prior to ordering, please visit [www.signify.com/baa](http://www.signify.com/baa) to view a current list of BAA-compliant products to confirm this product's current compliance.

