

# CHLORIDE

by  Signify

## Exit/Emergency

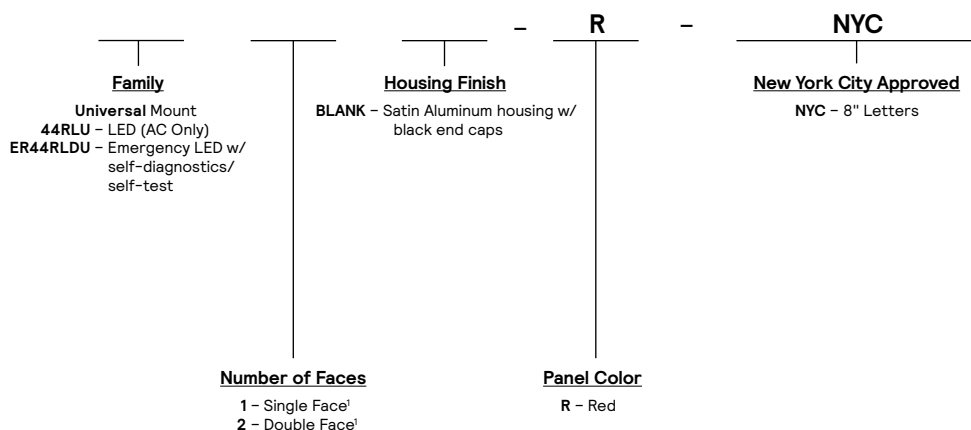
44R series

LED edge-lit exit sign  
NYC Approved 8" letters



Project: \_\_\_\_\_  
Location: \_\_\_\_\_  
Cat.No: \_\_\_\_\_  
Type: \_\_\_\_\_  
Lamps: \_\_\_\_\_ Qty: \_\_\_\_\_  
Notes: \_\_\_\_\_

### Example: ER44RLDU2RNYC



### Footnotes

<sup>1</sup>Single-face exits are provided with a clear background, and double-face exits are provided with mirror background (Consult factory for single-face signs with a mirror background or single and double face signs with a white background).

### codes and standards

- ETL Listed to UL 924 Standard
- NFPA 101 (Life Safety Code)
- California Energy Commission
- NFPA 70 (National Electric Code)
- UL listed for damp locations
- New York City Approved (8" letters)

### construction

- Exit housings are durable extruded aluminum construction with easy to install canopy. Universal recessed mounted exits have an extruded trim plate.
- Adjustable bar hangers adapt housing for mounting in suspended ceiling.
- Compact, low profile decorative design with high grade acrylic panel.
- Exit panel rotates for wall, ceiling or sloped ceiling to any angle from 0° to 180°, and can be locked into place.
- All models are provided with field installable directional indicators.
- Single face exits have a clear background and double-face exits are provided with a mirror background.
- Universal exits are only available with satin aluminum finish. End caps are a matte black finish.
- Signage contains 8" letter height with 1" stroke.
- The panel is clear acrylic.

### installation

- Universal exits include a tri-mount canopy that allows for ceiling, wall and end surface mounting plus it includes a back box for recessed ceiling or wall mounting as well.

### electronics

- Dual voltage 120/277 VAC input with surge protection.
- Consumes 3 Watts at 120V.
- Emergency models provide solid state charging system with low voltage disconnect, AC lockout and brownout features.
- Universal mount emergency exits, ER44RLDU, have self-diagnostic/self-test circuitry as a standard feature.
- All ER44RLDU exits feature a self-diagnostic/self-test circuitry, which will indicate a warning when any of the key components (battery, lamps, charger board, and transformer) malfunctions and needs replacing.
- The SD/ST circuitry performs an automatic test: 1 minute every month, 30 minutes every 6th month of the year, and a 90 minute test on the 12th month of the year.
- A manual test can be activated at any time by simply pushing the test button.

### battery

- Emergency models utilize a self contained, maintenance free nicad battery that will provide a minimum of 90 minutes of illumination.
- Operating temperature range of 10°C to 40°C (50°F to 104°F).

### warranty

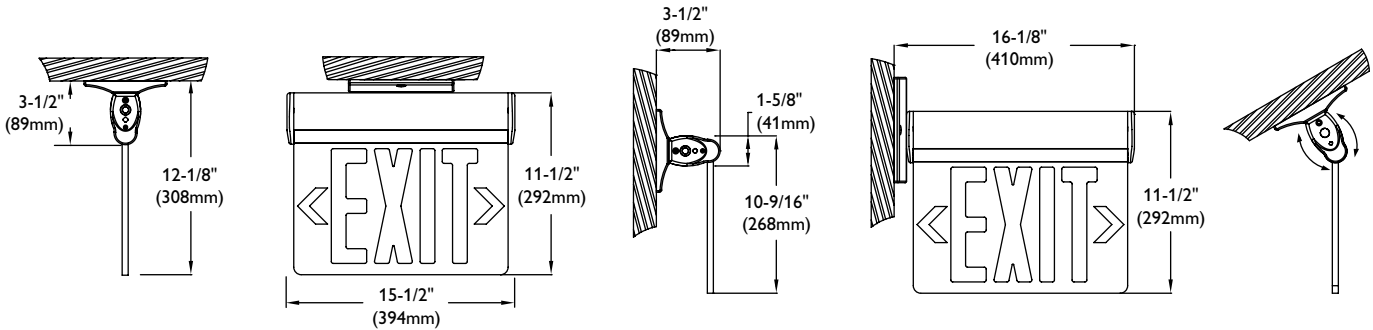
- Three full year warranty on electronics and unit.

# 44R Universal LED edge-lit exit sign

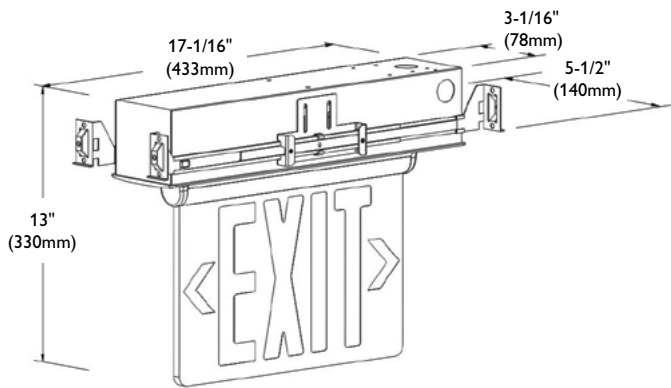
NYC Approved 8" letters

## dimensions

### Surface Mount



### Recessed Ceiling Mount



### Recessed Wall Mount

Housing protrudes 1-1/8" from wall surface

