

Day-Brite

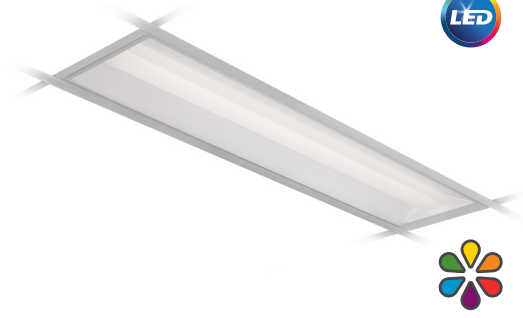


by @signify

Recessed

ClearAppeal 1x4

1CAX up to 4500 lumens



Day-Brite / CFI ClearAppeal LED recessed is a fully luminous aperture luminaire providing modern appeal to architectural spaces. Featuring a regressed aesthetic with balanced glare gradient, ClearAppeal delivers high performing even illumination and high visual comfort. Its architectural style, coupled with controls options, makes ClearAppeal an ideal choice for applications such as office, institutional, and healthcare, where energy savings and customized effect are desired.

ClearAppeal now offers AccuRender technology for the highest color quality at the highest efficacy.

Ordering guide – standard & wireless controls

Standard configurations available with all choices, unless otherwise noted. Base configurations selections indicated by blue.

example: 1CAXG38L840-4-DS-UNV-DIM-SWZCS

Width	Family	Ceiling Type	Lumens (nominal delivered)	Efficacy	Color	Length	Center Diffuser	Voltage	Driver	Options
1	CAX	G			–	4	DS	–	–	
1	1' CAX ClearAppeal Gen 2	G Grid	Base configuration 38B 3800 Standard configurations 30L 3000 38L 3800 45L 4500 Other lumen packages may be ordered in increments of 100lm from 3000 to 4500 lumens	Blank Standard H⁵ High	830 80 CRI, 3000K 835 80 CRI, 3500K 840 80 CRI, 4000K 850 80 CRI, 5000K AccuRender^{9,9} 930 90 CRI, 3000K 935 90 CRI, 3500K 940 90 CRI, 4000K	4 4'	DS Diffuse (smooth)	UNV Universal Voltage, 120-277 volt 347 347V	DIM¹ Dimming Step dimming to 40% input power SDIM Lutron LDE5, 5% dimming LDE Lutron LDE1, 1% dimming DALI DALI dimming	F1 3/8" flex, 3 wire 18 gauge 6' F2 3/8" flex, 4 wire 18 gauge 6' F1/D 3/8" twin flex, 3 wire 18 gauge 6' for dimmable luminaires F2/5W 3/8" single flex, 5 wire 18 gauge 6' for dimmable luminaires F2/6W 3/8" single flex, 6 wire 18 gauge 6' for dimmable and emergency luminaires GLR Fusing, fast blow BSL10LST⁴ Bodine 10W selftesting battery pack BSL6LST⁴ Bodine 6W selftesting battery pack DS Quick driver disconnect CHIC³ Chicago Plenum rated ER100^{4,6,7} UL924 listed sensor bypass relay, factory installed between driver & sensor GTD/E^{4,6} UL924 listed Bodine GTD factory installed on driver input GTD/SNSR^{4,6,7} UL924 listed Bodine GTD factory installed between driver and sensor SWZCS^{2,10} Interact Pro scalable sensor with integral daylight & occupancy sensing, advanced grouping with dwell time SWZDT² SpaceWise only sensor, daylighting and occupancy, advanced grouping with dwell time RADIO² Interact Pro RF sensor, enables wireless connected lighting control IAOSB^{2,10} Interact Office advanced wireless sensor bundle, integral SC1500 w/ IoT capabilities for enterprise scale projects AG Antimicrobial Finish WL Wet location listed

Ordering guide – PoE controls

example: 1CAXG38L840-4-DS-LV-POE-IAO

Width	Family	Ceiling Type	Lumens (nominal delivered)	Efficacy	Color	Length	Center Diffuser	Voltage	Driver	Options
1	CAX	G			–	4	DS	–	–	
1	1' CAX ClearAppeal Gen 2	G Grid	Standard configurations 30L 3000 38L 3800 45L 4500	Blank Standard	830 80 CRI, 3000K 835 80 CRI, 3500K 840 80 CRI, 4000K 850 80 CRI, 5000K	4 4'	DS Diffuse (smooth)	LV – POE –	POE Power over ethernet	EMPOE 600lm integral emergency driver and battery pack IAO Integral Interact Office daylighting and occupancy sensor, enables wireless connected lighting control IAOSB Interact Office advanced wired sensor bundle, integral SC2000 w/IoT capabilities for enterprise scale projects

Footnotes

- Integral controls options dimmable to 5% via wireless wall switch. Non-controls options are 0-10v dimmable to 1% for Standard configurations, and to 10% for Base configurations.
- Specify only with -DIM driver option.
- CHIC option not provided with air return functionality.
- Not available with 347V.
- High efficacy option may only be ordered with Standard lumen configurations.
- Must be installed in conjunction with a UL1008 device.
- Must be ordered with an integral sensing option.
- AccuRender is 90CRI with R₉>50.
- Option is qualified as Engineered-to-Order (ETO) ready. Lead times and minimum order quantities may vary, please consult factory. (DLC Standard efficacy only)
- Must order IRT9015 Interact commissioning remote with each system order.

Accessories (order separately)

- FSF414** – 1'x4' surface mount field installation kit (field assembled)
- FMA14** – 1'x4' "F" mounting frame for NEMA "F" ceiling
- CAXGDS14L** – 1'x4' ClearAppeal Gen2 replacement lens
- CAXGDS14LC** – 1'x4' ClearAppeal Gen2 with controls replacement lens

SWZCS accessories (order separately)

- IRT9015** – handheld remote for grouping and configuration (at least one remote required for any SWZCS installation).



1CAX ClearAppeal recessed 1x4

up to 4500 lumens

Application

- Ideal for modern offices, institutional, retail, and healthcare applications.
- Modern architectural styling to complement any space.
- Full width luminous lens provides smooth brightness and high visual comfort.
- Directs a controlled amount of light to higher angles to eliminate "cave effect" without creating glare.
- Available in standard efficacy and high efficacy (H) configurations up to 130lm/W.
- 80 CRI minimum source provides a balanced spectral power distribution.
- AccuRender 90 CRI source provides preferred color quality.
- Suitable for use with NEMA G (15/16") and NFG (9/16") suspended t-grid ceilings. NEMA F flange ceilings require the FMA24 accessory (ordered separately).

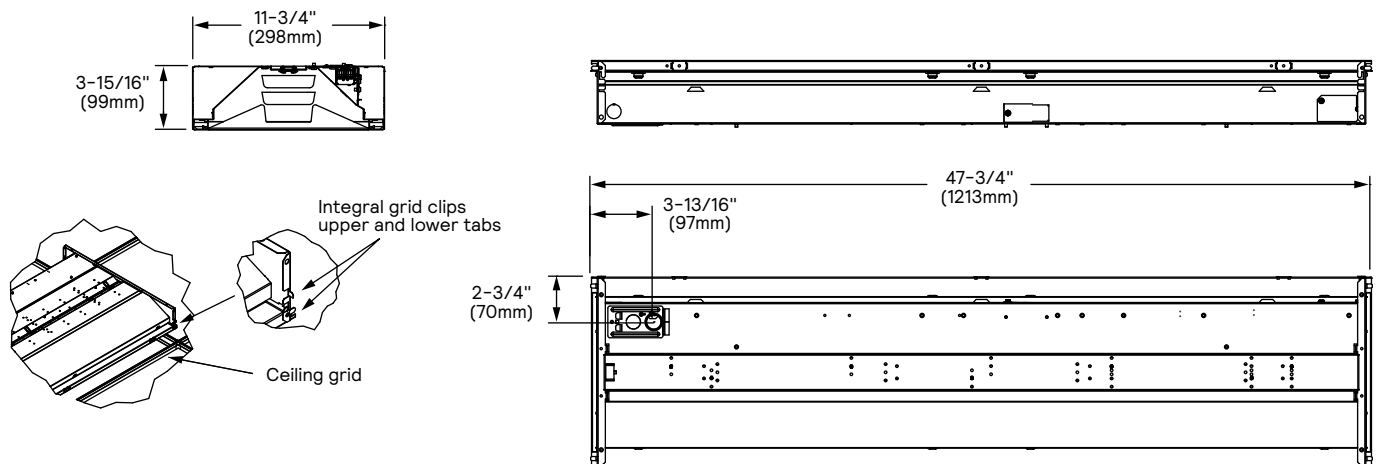
Construction/Finish

- Robust and durable dieformed embossed steel housing and end caps.
- Molded one-piece acrylic diffuser may be removed without tools for access to LED boards and driver(s).
- Unique spring retainers ensure the diffuser is centered in the housing opening at all times.
- T-bar grid clips are built into luminaire end caps for quick and easy installation, no extra parts.
- Air return functionality is standard for all configurations. See air flow and noise data on page 4.

Energy data

Configuration	Nominal CCT/ CRI	Flux (lm)	Input Power (W)	Efficacy (LPW)	DLC
1CAXG38B835	3500K/80	4034	34	118	Standard
1CAXG38B840	4000K/80	4029	34	117	Standard
1CAXG30L835	3500K/80	3054	26	116	Standard
1CAXG30L840	4000K/80	3054	27	115	Standard
1CAXG30LH835	3500K/80	3014	24	124	Standard
1CAXG30LH840	4000K/80	3086	24	127	Premium
1CAXG38L835	3500K/80	3885	34	114	Standard
1CAXG38L840	4000K/80	3888	34	114	Standard
1CAXG38LH835	3500K/80	3777	30	126	Premium
1CAXG38LH840	4000K/80	3873	30	130	Premium
1CAXG45L835	3500K/80	4619	41	112	Standard
1CAXG45L840	4000K/80	4620	42	111	Standard
1CAXG45LH835	3500K/80	4590	36	126	Premium
1CAXG45LH840	4000K/80	4706	36	130	Premium

Dimensions



- Suitable for end to end continuous row mounting. 1" gap between luminaires requires chase nipple to accommodate through wiring (by others).
- Sheetmetal components are multi-stage phosphate treated for maximum corrosion resistance and finish coat is high reflectance baked white enamel.
- Integral louvers on housing ends allow air from the heated space to return to a pressurized plenum.

Electrical

- Driver and LED board are accessible from below by easy removal of lens.
- Non-controls Base configurations 0-10V dimmable to 10%.
- Non-controls Standard configurations 0-10V dimmable to 1%.
- Standard configurations with controls options dimmable via wireless switches (see below).
- Predicted L70 lumen maintenance up to 80,000 hours at 25°C ambient for all configurations.
- Emergency battery packs accessible from above. To estimate lumen output in emergency mode, multiply emergency pack wattage by luminaire efficacy, then by 1.10.
- The GTD/E option is used to bypass wall switches and allow luminaire operation on auxiliary power. Generator transfer requires installation in conjunction with a UL1008 listed device.
- The GTD/SNSR option is used to bypass integrated sensor control in the event of utility power loss. Generator transfer requires installation in conjunction with a UL1008 listed device.
- Compliance to CAN ICES-005-A/ NEB-005-A and FCC Part 15-A.

Validation

- cETLus listed for use in damp locations
- When ordered with -WL option code, suitable for use in wet locations with covered ceilings
- Rated for direct contact with insulation (IC)
- CCEA Chicago Plenum listed
- ClearAppeal luminaires are Designlights Consortium® qualified. Please see the DLC QPL list for exact catalog numbers, www.designlights.org/QPL

Environment

- Rated for dry or damp locations in operating ambient temperatures 0-30°C (32-86°F). Many luminaire components, such as reflectors, refractors, lenses, sockets, lampholders, and LEDs are made from various types of plastics which can be adversely affected by airborne contaminants. If sulfur based chemicals, petroleum based products, cleaning solutions, or other contaminants are expected in the intended area of use, consult factory for compatibility. Not suitable for natatorium environments.

Warranty

- 5 year manufacturer's limited warranty.
- Visit signify.com/warranties for complete warranty information.

1CAX ClearAppeal recessed 1x4

up to 4500 lumens

Wireless Controls Options

SpaceWise DT (SWZDT)

- Standalone daylight and occupancy sensing with advanced grouping, wireless mesh networking and dwell time.
- Commissioning via compatible Android phone and Philips Field App
- Dimming via compatible Zigbee wireless wall switch only (see link below for details)
- Register for the commissioning app at <http://registration.componentcloud.philips.com/appregistration/>
- Integral sensing options may not be combined
- For more information including recommended switches, refer to the following: -

SWZDT - www.usa.lighting.philips.com/systems/lighting-systems/spacewise

Emergency Options (ER100)

- Power Sensing (Factory default) – Recommended UL924 option requires unswitched power sense line, absence of voltage on the normal circuit triggers luminaire to 100% output
- Power Interruption Detection (Field option) – Detects AC power interruption >30ms triggers 90 minute emergency mode with luminaire at 100% output

ClearAppeal shown with integral sensor



Interact Pro scalable sensor for Foundation, Advanced & Enterprise tiers (SWZCS and an evolution of SpaceWise)

- SWZCS is a connected sensor with integral occupancy and daylight sensing and supports wireless mesh connectivity.
- The sensor works in the Foundation mode (similar to SpaceWise) when configured without a gateway or in an Interact Pro Advanced or Enterprise mode if a compatible gateway is used.
- Interact Pro includes an App, a portal and a broad portfolio of wireless luminaires, lamps and retrofit kits all working on the same system.
- Startup is implemented via Interact Pro App (Android or iPhone) & BlueTooth connectivity. The App provides flexibility to choose between a gateway or non gateway mode for setup.
- Setup with the gateway requires wired internet access to the gateway. It is possible to add a gateway at a later point.
- Prepare project configuration steps remotely and use IRT9015 remote onsite to identify and group devices together.
 - Compatible with:
 - SWS200 wireless scene switch
 - Battery powered IP42 presence sensor OCC sensor IA CM WH 10/1
 - Battery powered IP42 presence & daylight sensor OCC-DL sensor IA CM IP42 WH
 - LCN3110: Battery powered IP65 presence sensor, OCC sensor IA CM IP65WH
 - LCN3120: Battery powered IP65 presence & daylight sensor, OCC-DL sensor IA CM IP65 WH
- For more information on Interact Pro visit: www.interact-lighting.com/interactproscalablesystem

Radio only sensor (RADIO)

- Integral RADIO only sensor simply enables wireless mesh connectivity to the luminaire without any occupancy or daylight sensing.
- Ideal for applications where sensing functionality is managed by other Interact devices and the luminaire only needs to have wireless connectivity.

Interact Pro scalable sensor bundles for Enterprise tier

- IAOSB option in addition to occupancy and daylight sensing supports advanced IoT capabilities such as people estimation analysis, desk level temperature & humidity sensing, noise classification, and BLE beacon.
- Compatible with SWS200 wireless scene switch and Interact Ready wireless battery powered sensors.
- Use Interact software and insights to increase building efficiency, achieve building wide integration and optimize space through occupancy analytics.
- Requires compatible Gateway and internet connectivity for commissioning.
- For more information, visit: www.interact-lighting.com/office or www.usa.lighting.philips.com/systems/system-areas/offices

Wired Controls Options

Interact Office Wired (PoE)

- PoE based IoT connected lighting solution for large enterprises that span across multiple floors, buildings and require multiple gateways.
- Use Interact software and insights to increase building efficiency, achieve building wide integration and optimize space through occupancy analytics.
- IAOSB option in addition to occupancy and daylight sensing supports advanced IoT capabilities such as people estimation analysis, desk level temperature & humidity sensing, noise classification, and BLE beacon.
- PoE lighting controller is accessible from below.
- Integral sensor option for occupancy sensing (PIR) and/or daylight harvesting available for additional energy savings.
- Optional integral emergency controller and battery pack provides 600lm nominal output. Test switch and indicator light mounted on side of chassis on one end.
- Emergency battery has a 3 month pre-installed shelf life, and must be stored and installed in environments of 20C to 30C (-4F to 86F) ambient, and 45-85% relative humidity.
- For more information, visit: www.interact-lighting.com/office or www.usa.lighting.philips.com/systems/system-areas/offices

Energy Data (PoE)

Configuration	Nominal CCT/CRI	Flux (lm)	DC Power (W)*	Efficacy (LPW)
1CAXG30L840	4000K/80	3059	25	125
1CAXG38L840	4000K/80	3902	32	122
1CAXG45L840	4000K/80	4637	40	117

*DC power supply

1CAX ClearAppeal recessed 1x4

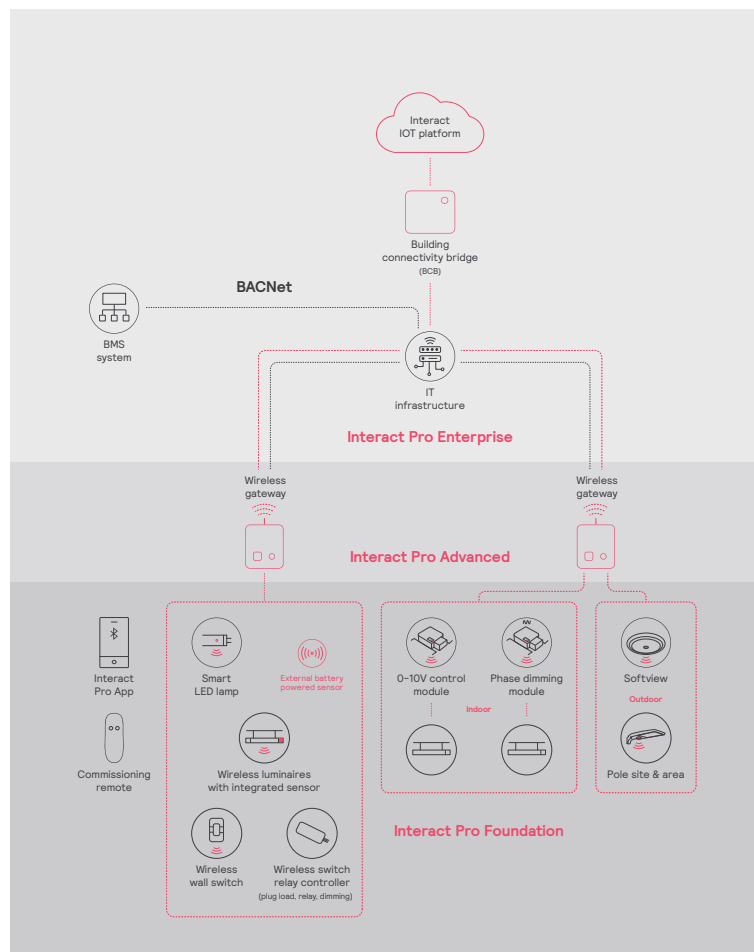
up to 4500 lumens

Interact Pro scalable system			
	Foundation	Advanced	Enterprise
Dimming, grouping, and zoning	✓	✓	✓
Bluetooth and ZigBee enabled	✓	✓	✓
Motion sensing and daylight harvesting	✓	✓	✓
Integration with 0-10V and phase dimming fixtures	✓	✓	✓
Code compliance	✓	✓	✓
Granular dimming and dwell time	✓	✓	✓
Energy reporting and monitoring		✓	✓
Scheduling		✓	✓
Demand response		✓	✓
BMS integration (BACnet)			✓
Floor plan visualization			✓
IoT sensors for wellness			✓
IoT Apps for productivity			✓

Currently supported maximum system size

To be able to design the lighting system correctly for the customer, it is important to know the prime characteristics of the system, its possibilities and limitations.

System level	
Total number of gateways	Unlimited
Total number of devices	200 per network
• luminaires with integrated sensors	150
• smart TLEDs	150
Total number of ZGP devices (sensors and switches)	50
• sensors	30
• switches	50
• zones and groups	64
Group level	
Recommended number of lights	40 (recommended 25)
Number of ZGP devices	5
Number of scenes	16



1CAX ClearAppeal recessed 1x4

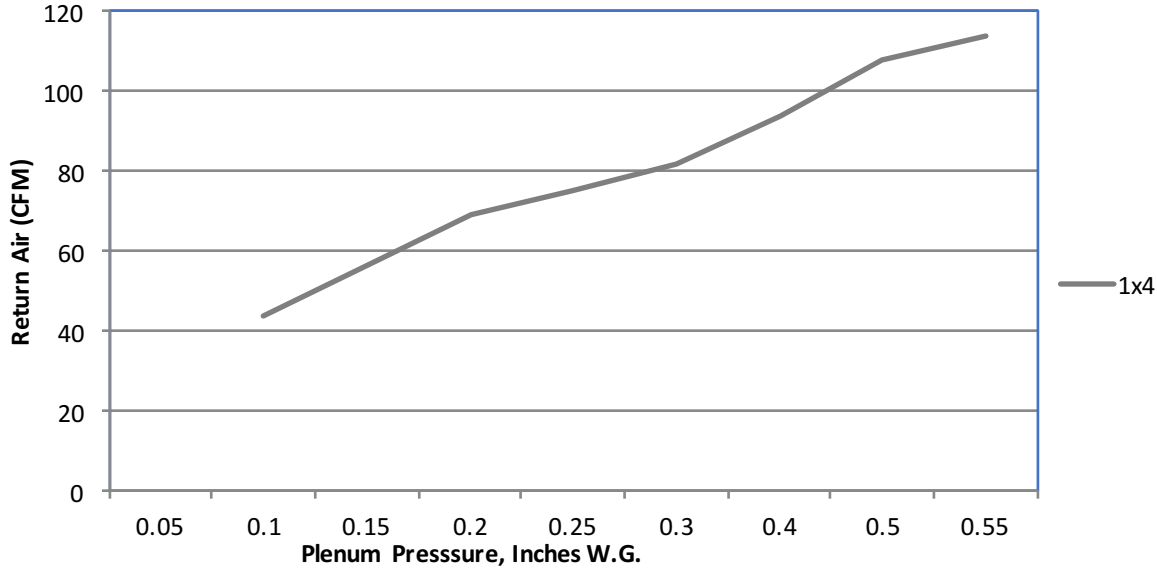
up to 4500 lumens

Air return



Integral louvers on housing ends allow air from the heated space to return to a pressurized plenum.

Return Air Data



2x4 Return Air - noise criteria

	0.1	0.2	0.3	0.4	0.5	0.55
CFM	44	56.5	69	75.5	82	94
NC (dB)	<15	19	21.5	24	27	30

Photometry

1x4 ClearAppeal recessed LED, base configuration, 3800 nominal delivered lumens

LER - 117

Catalog No.	1CAXG38B840-4-DS-UNV-DIM
Test No.	40617
S/MH	1.2
Lamp Type	LED
Lumens	4033
Input Watts	34

Comparative yearly lighting energy cost per 1000 lumens - \$2.05 based on 3000 hrs. and \$.08 pwr KWH.

The photometric results were obtained in the Day-Brite laboratory which is NVLAP accredited by the National Institute of Standards and Technology.

Photometric values based on test performed in compliance with LM-79.

Candlepower

Angle	End	45	Cross	Back-45
0	1528	1528	1528	1528
5	1494	1522	1531	1522
15	1425	1452	1462	1452
25	1297	1318	1320	1318
35	1120	1139	1137	1139
45	915	938	944	938
55	697	732	739	732
65	443	517	478	517
75	227	244	217	244
85	52	45	40	45

Light Distribution

Degrees	Lumens	% Luminaire
0-30	1158	28.7
0-40	1868	46.3
0-60	3237	80.3
0-90	4033	100.0
0-180	4033	100.0

Average Luminance

Zone	End	45°	Cross
45	4436	4544	4574
55	4164	4372	4413
65	3593	4196	3876
75	3005	3236	2870
85	2029	1762	1585

Coefficients of Utilization

EFFECTIVE FLOOR CAVITY REFLECTANCE 20 PER (pfc=0.20)												
pfc =	20			50			70			85		
Ceil	80			70			50			30		
Wall	70	50	30	70	50	30	50	30	70	50	30	
RCR												
0	118	118	118	115	115	115	111	111	111	111	111	
1	109	104	100	106	102	97	97	94	94	94	94	
2	98	91	83	96	89	82	85	81	81	81	81	
3	91	80	71	88	79	70	76	68	68	68	68	
4	82	70	61	81	69	61	67	59	59	59	59	
5	76	64	55	73	63	54	59	53	53	53	53	
6	70	56	48	68	56	47	55	46	46	46	46	
7	66	52	42	64	51	42	50	41	41	41	41	
8	60	47	39	58	46	39	46	38	38	38	38	
9	56	44	35	56	42	34	41	34	34	34	34	
10	53	40	32	52	40	32	39	32	32	32	32	

1CAX ClearAppeal recessed 1x4

up to 4500 lumens

1x4 ClearAppeal recessed LED, standard configuration, 3800 nominal delivered lumens

LER - 114

Catalog No. 1CAXG38L840-4-DS-UNV-DIM Test No. 40615 S/MH 1.2 Lamp Type LED Lumens 3888 Input Watts 34 Comparative yearly lighting energy cost per 1000 lumens – \$2.11 based on 3000 hrs. and \$.08 pwr KWH. The photometric results were obtained in the Day-Brite laboratory which is NVLAP accredited by the National Institute of Standards and Technology. Photometric values based on test performed in compliance with LM-79.	<p>Candlepower</p> <table border="1"> <thead> <tr> <th>Angle</th> <th>End</th> <th>45</th> <th>Cross</th> <th>Back-45</th> </tr> </thead> <tbody> <tr><td>0</td><td>1480</td><td>1480</td><td>1480</td><td>1480</td></tr> <tr><td>5</td><td>1447</td><td>1475</td><td>1483</td><td>1475</td></tr> <tr><td>15</td><td>1381</td><td>1406</td><td>1416</td><td>1406</td></tr> <tr><td>25</td><td>1257</td><td>1277</td><td>1278</td><td>1277</td></tr> <tr><td>35</td><td>1086</td><td>1104</td><td>1100</td><td>1104</td></tr> <tr><td>45</td><td>887</td><td>908</td><td>914</td><td>908</td></tr> <tr><td>55</td><td>675</td><td>709</td><td>715</td><td>709</td></tr> <tr><td>65</td><td>422</td><td>467</td><td>446</td><td>467</td></tr> <tr><td>75</td><td>219</td><td>238</td><td>209</td><td>238</td></tr> <tr><td>85</td><td>50</td><td>44</td><td>39</td><td>44</td></tr> </tbody> </table>	Angle	End	45	Cross	Back-45	0	1480	1480	1480	1480	5	1447	1475	1483	1475	15	1381	1406	1416	1406	25	1257	1277	1278	1277	35	1086	1104	1100	1104	45	887	908	914	908	55	675	709	715	709	65	422	467	446	467	75	219	238	209	238	85	50	44	39	44	Light Distribution <table border="1"> <thead> <tr> <th>Degrees</th> <th>Lumens</th> <th>% Luminaire</th> </tr> </thead> <tbody> <tr><td>0-30</td><td>1121</td><td>28.8</td></tr> <tr><td>0-40</td><td>1809</td><td>46.5</td></tr> <tr><td>0-60</td><td>3135</td><td>80.6</td></tr> <tr><td>0-90</td><td>3891</td><td>100.0</td></tr> <tr><td>0-180</td><td>3891</td><td>100.0</td></tr> </tbody> </table>	Degrees	Lumens	% Luminaire	0-30	1121	28.8	0-40	1809	46.5	0-60	3135	80.6	0-90	3891	100.0	0-180	3891	100.0	Average Luminance <table border="1"> <thead> <tr> <th>Zone</th> <th>End</th> <th>45°</th> <th>Cross</th> </tr> </thead> <tbody> <tr><td>45</td><td>4298</td><td>4402</td><td>4429</td></tr> <tr><td>55</td><td>4034</td><td>4235</td><td>4275</td></tr> <tr><td>65</td><td>3424</td><td>3786</td><td>3616</td></tr> <tr><td>75</td><td>2895</td><td>3145</td><td>2770</td></tr> <tr><td>85</td><td>1954</td><td>1711</td><td>1530</td></tr> </tbody> </table>	Zone	End	45°	Cross	45	4298	4402	4429	55	4034	4235	4275	65	3424	3786	3616	75	2895	3145	2770	85	1954	1711	1530																																						
		Angle	End	45	Cross	Back-45																																																																																																																																				
0	1480	1480	1480	1480																																																																																																																																						
5	1447	1475	1483	1475																																																																																																																																						
15	1381	1406	1416	1406																																																																																																																																						
25	1257	1277	1278	1277																																																																																																																																						
35	1086	1104	1100	1104																																																																																																																																						
45	887	908	914	908																																																																																																																																						
55	675	709	715	709																																																																																																																																						
65	422	467	446	467																																																																																																																																						
75	219	238	209	238																																																																																																																																						
85	50	44	39	44																																																																																																																																						
Degrees	Lumens	% Luminaire																																																																																																																																								
0-30	1121	28.8																																																																																																																																								
0-40	1809	46.5																																																																																																																																								
0-60	3135	80.6																																																																																																																																								
0-90	3891	100.0																																																																																																																																								
0-180	3891	100.0																																																																																																																																								
Zone	End	45°	Cross																																																																																																																																							
45	4298	4402	4429																																																																																																																																							
55	4034	4235	4275																																																																																																																																							
65	3424	3786	3616																																																																																																																																							
75	2895	3145	2770																																																																																																																																							
85	1954	1711	1530																																																																																																																																							
Coefficients of Utilization EFFECTIVE FLOOR CAVITY REFLECTANCE 20 PER (pfc=0.20) <table border="1"> <thead> <tr> <th>pfc =</th> <th colspan="2">20</th> <th colspan="2">80</th> <th colspan="2">70</th> <th colspan="2">50</th> </tr> <tr> <th>Ceil</th> <td></td><td></td><td></td><td></td><td></td><td></td><td></td><td></td> </tr> <tr> <th>Wall</th> <td>70</td><td>50</td><td>30</td><td>70</td><td>50</td><td>30</td><td>50</td><td>30</td> </tr> <tr> <th>RCR</th> <td></td><td></td><td></td><td></td><td></td><td></td><td></td><td></td> </tr> </thead> <tbody> <tr><td>0</td><td>118</td><td>118</td><td>118</td><td>115</td><td>115</td><td>115</td><td>111</td><td>111</td></tr> <tr><td>1</td><td>109</td><td>104</td><td>100</td><td>106</td><td>102</td><td>97</td><td>97</td><td>94</td></tr> <tr><td>2</td><td>98</td><td>91</td><td>84</td><td>96</td><td>89</td><td>82</td><td>85</td><td>81</td></tr> <tr><td>3</td><td>91</td><td>80</td><td>71</td><td>88</td><td>79</td><td>70</td><td>76</td><td>68</td></tr> <tr><td>4</td><td>82</td><td>70</td><td>63</td><td>81</td><td>69</td><td>61</td><td>67</td><td>59</td></tr> <tr><td>5</td><td>76</td><td>64</td><td>55</td><td>73</td><td>63</td><td>54</td><td>60</td><td>53</td></tr> <tr><td>6</td><td>70</td><td>56</td><td>48</td><td>68</td><td>56</td><td>47</td><td>55</td><td>46</td></tr> <tr><td>7</td><td>66</td><td>52</td><td>42</td><td>64</td><td>51</td><td>42</td><td>50</td><td>41</td></tr> <tr><td>8</td><td>60</td><td>47</td><td>39</td><td>59</td><td>46</td><td>39</td><td>46</td><td>38</td></tr> <tr><td>9</td><td>56</td><td>44</td><td>35</td><td>56</td><td>42</td><td>34</td><td>41</td><td>34</td></tr> <tr><td>10</td><td>54</td><td>40</td><td>33</td><td>52</td><td>40</td><td>32</td><td>39</td><td>32</td></tr> </tbody> </table>				pfc =	20		80		70		50		Ceil									Wall	70	50	30	70	50	30	50	30	RCR									0	118	118	118	115	115	115	111	111	1	109	104	100	106	102	97	97	94	2	98	91	84	96	89	82	85	81	3	91	80	71	88	79	70	76	68	4	82	70	63	81	69	61	67	59	5	76	64	55	73	63	54	60	53	6	70	56	48	68	56	47	55	46	7	66	52	42	64	51	42	50	41	8	60	47	39	59	46	39	46	38	9	56	44	35	56	42	34	41	34	10	54	40	33	52	40	32	39	32
pfc =	20		80		70		50																																																																																																																																			
Ceil																																																																																																																																										
Wall	70	50	30	70	50	30	50	30																																																																																																																																		
RCR																																																																																																																																										
0	118	118	118	115	115	115	111	111																																																																																																																																		
1	109	104	100	106	102	97	97	94																																																																																																																																		
2	98	91	84	96	89	82	85	81																																																																																																																																		
3	91	80	71	88	79	70	76	68																																																																																																																																		
4	82	70	63	81	69	61	67	59																																																																																																																																		
5	76	64	55	73	63	54	60	53																																																																																																																																		
6	70	56	48	68	56	47	55	46																																																																																																																																		
7	66	52	42	64	51	42	50	41																																																																																																																																		
8	60	47	39	59	46	39	46	38																																																																																																																																		
9	56	44	35	56	42	34	41	34																																																																																																																																		
10	54	40	33	52	40	32	39	32																																																																																																																																		

1x4 ClearAppeal recessed LED, high efficacy configuration, 3800 nominal delivered lumens

LER - 130

Catalog No. 1CAXG38LH840-4-DS-UNV-DIM Test No. 40623 S/MH 1.2 Lamp Type LED Lumens 3877 Input Watts 30 Comparative yearly lighting energy cost per 1000 lumens – \$1.85 based on 3000 hrs. and \$.08 pwr KWH. The photometric results were obtained in the Day-Brite laboratory which is NVLAP accredited by the National Institute of Standards and Technology. Photometric values based on test performed in compliance with LM-79.	<p>Candlepower</p> <table border="1"> <thead> <tr> <th>Angle</th> <th>End</th> <th>45</th> <th>Cross</th> <th>Back-45</th> </tr> </thead> <tbody> <tr><td>0</td><td>1480</td><td>1480</td><td>1480</td><td>1480</td></tr> <tr><td>5</td><td>1447</td><td>1474</td><td>1481</td><td>1474</td></tr> <tr><td>15</td><td>1382</td><td>1403</td><td>1410</td><td>1403</td></tr> <tr><td>25</td><td>1258</td><td>1271</td><td>1271</td><td>1271</td></tr> <tr><td>35</td><td>1087</td><td>1098</td><td>1095</td><td>1098</td></tr> <tr><td>45</td><td>887</td><td>903</td><td>908</td><td>903</td></tr> <tr><td>55</td><td>677</td><td>705</td><td>710</td><td>705</td></tr> <tr><td>65</td><td>424</td><td>463</td><td>443</td><td>463</td></tr> <tr><td>75</td><td>219</td><td>236</td><td>210</td><td>236</td></tr> <tr><td>85</td><td>50</td><td>44</td><td>40</td><td>44</td></tr> </tbody> </table>	Angle	End	45	Cross	Back-45	0	1480	1480	1480	1480	5	1447	1474	1481	1474	15	1382	1403	1410	1403	25	1258	1271	1271	1271	35	1087	1098	1095	1098	45	887	903	908	903	55	677	705	710	705	65	424	463	443	463	75	219	236	210	236	85	50	44	40	44	Light Distribution <table border="1"> <thead> <tr> <th>Degrees</th> <th>Lumens</th> <th>% Luminaire</th> </tr> </thead> <tbody> <tr><td>0-30</td><td>1119</td><td>28.9</td></tr> <tr><td>0-40</td><td>1804</td><td>46.5</td></tr> <tr><td>0-60</td><td>3123</td><td>80.6</td></tr> <tr><td>0-90</td><td>3876</td><td>100.0</td></tr> <tr><td>0-180</td><td>3877</td><td>100.0</td></tr> </tbody> </table>	Degrees	Lumens	% Luminaire	0-30	1119	28.9	0-40	1804	46.5	0-60	3123	80.6	0-90	3876	100.0	0-180	3877	100.0	Average Luminance <table border="1"> <thead> <tr> <th>Zone</th> <th>End</th> <th>45°</th> <th>Cross</th> </tr> </thead> <tbody> <tr><td>45</td><td>4301</td><td>4377</td><td>4403</td></tr> <tr><td>55</td><td>4044</td><td>4214</td><td>4243</td></tr> <tr><td>65</td><td>3438</td><td>3756</td><td>3595</td></tr> <tr><td>75</td><td>2901</td><td>3126</td><td>2776</td></tr> <tr><td>85</td><td>1950</td><td>1734</td><td>1573</td></tr> </tbody> </table>	Zone	End	45°	Cross	45	4301	4377	4403	55	4044	4214	4243	65	3438	3756	3595	75	2901	3126	2776	85	1950	1734	1573																																						
		Angle	End	45	Cross	Back-45																																																																																																																																				
0	1480	1480	1480	1480																																																																																																																																						
5	1447	1474	1481	1474																																																																																																																																						
15	1382	1403	1410	1403																																																																																																																																						
25	1258	1271	1271	1271																																																																																																																																						
35	1087	1098	1095	1098																																																																																																																																						
45	887	903	908	903																																																																																																																																						
55	677	705	710	705																																																																																																																																						
65	424	463	443	463																																																																																																																																						
75	219	236	210	236																																																																																																																																						
85	50	44	40	44																																																																																																																																						
Degrees	Lumens	% Luminaire																																																																																																																																								
0-30	1119	28.9																																																																																																																																								
0-40	1804	46.5																																																																																																																																								
0-60	3123	80.6																																																																																																																																								
0-90	3876	100.0																																																																																																																																								
0-180	3877	100.0																																																																																																																																								
Zone	End	45°	Cross																																																																																																																																							
45	4301	4377	4403																																																																																																																																							
55	4044	4214	4243																																																																																																																																							
65	3438	3756	3595																																																																																																																																							
75	2901	3126	2776																																																																																																																																							
85	1950	1734	1573																																																																																																																																							
Coefficients of Utilization EFFECTIVE FLOOR CAVITY REFLECTANCE 20 PER (pfc=0.20) <table border="1"> <thead> <tr> <th>pfc =</th> <th colspan="2">20</th> <th colspan="2">80</th> <th colspan="2">70</th> <th colspan="2">50</th> </tr> <tr> <th>Ceil</th> <td></td><td></td><td></td><td></td><td></td><td></td><td></td><td></td> </tr> <tr> <th>Wall</th> <td>70</td><td>50</td><td>30</td><td>70</td><td>50</td><td>30</td><td>50</td><td>30</td> </tr> <tr> <th>RCR</th> <td></td><td></td><td></td><td></td><td></td><td></td><td></td><td></td> </tr> </thead> <tbody> <tr><td>0</td><td>118</td><td>118</td><td>118</td><td>115</td><td>115</td><td>115</td><td>111</td><td>111</td></tr> <tr><td>1</td><td>109</td><td>104</td><td>100</td><td>106</td><td>102</td><td>97</td><td>97</td><td>94</td></tr> <tr><td>2</td><td>98</td><td>91</td><td>84</td><td>96</td><td>89</td><td>82</td><td>85</td><td>81</td></tr> <tr><td>3</td><td>91</td><td>80</td><td>71</td><td>88</td><td>79</td><td>70</td><td>76</td><td>68</td></tr> <tr><td>4</td><td>82</td><td>70</td><td>63</td><td>81</td><td>69</td><td>61</td><td>67</td><td>59</td></tr> <tr><td>5</td><td>76</td><td>64</td><td>55</td><td>73</td><td>63</td><td>54</td><td>60</td><td>53</td></tr> <tr><td>6</td><td>70</td><td>56</td><td>48</td><td>68</td><td>56</td><td>47</td><td>55</td><td>46</td></tr> <tr><td>7</td><td>66</td><td>52</td><td>42</td><td>64</td><td>51</td><td>42</td><td>50</td><td>41</td></tr> <tr><td>8</td><td>60</td><td>47</td><td>39</td><td>59</td><td>46</td><td>39</td><td>46</td><td>38</td></tr> <tr><td>9</td><td>56</td><td>44</td><td>35</td><td>56</td><td>42</td><td>34</td><td>41</td><td>34</td></tr> <tr><td>10</td><td>54</td><td>40</td><td>33</td><td>52</td><td>40</td><td>32</td><td>39</td><td>32</td></tr> </tbody> </table>				pfc =	20		80		70		50		Ceil									Wall	70	50	30	70	50	30	50	30	RCR									0	118	118	118	115	115	115	111	111	1	109	104	100	106	102	97	97	94	2	98	91	84	96	89	82	85	81	3	91	80	71	88	79	70	76	68	4	82	70	63	81	69	61	67	59	5	76	64	55	73	63	54	60	53	6	70	56	48	68	56	47	55	46	7	66	52	42	64	51	42	50	41	8	60	47	39	59	46	39	46	38	9	56	44	35	56	42	34	41	34	10	54	40	33	52	40	32	39	32
pfc =	20		80		70		50																																																																																																																																			
Ceil																																																																																																																																										
Wall	70	50	30	70	50	30	50	30																																																																																																																																		
RCR																																																																																																																																										
0	118	118	118	115	115	115	111	111																																																																																																																																		
1	109	104	100	106	102	97	97	94																																																																																																																																		
2	98	91	84	96	89	82	85	81																																																																																																																																		
3	91	80	71	88	79	70	76	68																																																																																																																																		
4	82	70	63	81	69	61	67	59																																																																																																																																		
5	76	64	55	73	63	54	60	53																																																																																																																																		
6	70	56	48	68	56	47	55	46																																																																																																																																		
7	66	52	42	64	51	42	50	41																																																																																																																																		
8	60	47	39	59	46	39	46	38																																																																																																																																		
9	56	44	35	56	42	34	41	34																																																																																																																																		
10	54	40	33	52	40	32	39	32																																																																																																																																		



© 2022 Signify Holding. All rights reserved. The information provided herein is subject to change, without notice. Signify does not give any representation or warranty as to the accuracy or completeness of the information included herein and shall not be liable for any action in reliance thereon. The information presented in this document is not intended as any commercial offer and does not form part of any quotation or contract, unless otherwise agreed by Signify.

Signify North America Corporation
 400 Crossing Blvd, Suite 600
 Bridgewater, NJ 08807
 Telephone 855-486-2216

Signify Canada Ltd.
 281 Hillmount Road,
 Markham, ON, Canada L6C 2S3
 Telephone 800-668-9008

All trademarks are owned by Signify Holding or their respective owners.