

# Day-Brite

## CFI

by Signify

### Recessed

### EvoGrid 1x2

1EVG up to 3000 lumens



Day-Brite / CFI EvoGrid recessed utilizes highly reliable and efficient Philips LED platform boards and dimmable driver enabling market leading performance in its category. Its soft opal diffuser with large luminous area minimizes apparent brightness compared to other basket luminaires and provides general lighting perfect for a wide variety of applications.

Project: \_\_\_\_\_  
 Location: \_\_\_\_\_  
 Cat.No: \_\_\_\_\_  
 Type: \_\_\_\_\_  
 Lamps: \_\_\_\_\_ Qty: \_\_\_\_\_  
 Notes: \_\_\_\_\_

### Ordering guide

Example: 1EVG20L840-2-D-UNV-DIM

Width	Family	Ceiling Type	Lumens	Color	Length	Center Diffuser	Voltage	Driver	Options
1	EV	G		-	2	D	-	-	
1 1'	EV EvoGrid	G Grid	20L 2000 nominal delivered lumens 30L 3000 nominal delivered lumens	830 80 CRI, 3000K 835 80 CRI, 3500K 840 80 CRI, 4000K 850 80 CRI, 5000K	2 2'	D Diffuse (opal)	UNV Universal Voltage, 120-277 volt	DIM <sup>3</sup> 0-10V dimming	F1 3/8" flex, 3 wire 18 gauge 6' F2 3/8" flex, 4 wire 18 gauge 6' F1/D 3/8" twin flex, 3 wire 18 gauge 6' for dimmable luminaires. F2/5W 3/8" single flex, 5 wire 18 gauge 6' for dimmable luminaires. GLR Fusing, fast blow EMLED <sup>1</sup> Integral emergency battery pack, 1100lm nominal CHIC Chicago Plenum rated CRM <sup>2</sup> Continuous row mount DSC Quick driver disconnect SWZCS <sup>4</sup> Interact Pro scalable sensor with integral daylight & occupancy sensing, advanced grouping with dwell time SWZDT SpaceWise only sensor, daylighting and occupancy, advanced grouping with dwell time BAC <sup>5</sup> Meets the requirements of the Buy American Act of 1933 (BAA)

- EMLED option overall luminaire height is 4-1/8"
- CRM includes additional end cover. 7/8" gap between fixtures.
- Integral controls options dimmable to 5% via wireless wall switch. Non-controls options are 0-10v dimmable to 1% for Standard configurations.
- Must order IRT9015 Interact commissioning remote with each system order.
- Failure to properly select the "BAC" suffix could result in you receiving product that is not BAA compliant product with no recourse for an RMA or refund. This BAC designation hereunder does not address (i) the applicability of, or availability of a waiver under, the Trade Agreements Act, or (ii) the "Buy America" domestic content requirements imposed on states, localities, and other non-federal entities as a condition of receiving funds administered by the Department of Transportation or other federal agencies.
- Consult Signify to confirm whether specific accessories are BAA-compliant.

### Accessories<sup>6</sup> (order separately)

- EVD12L – EvoGrid 1'x2' replacement lens

### SWZCS accessories<sup>6</sup> (order separately)

- IRT9015 – handheld remote for grouping and configuration(at least one remote required for any SWZCS installation).

### General Notes

- All options factory installed.
- All accessories are field installed.
- Many luminaire components, such as reflectors, refractors, lenses, sockets, lamp holders, and LEDs are made from various types of plastics which can be adversely affected by airborne contaminants. If sulfur based chemicals, petroleum based products, cleaning solutions, or other contaminants are expected in the intended area of use, consult factory for compatibility.



interact ready.

# 1EVG EvoGrid recessed 1x2

up to 3000 lumens

## Application

- A highly efficient, visually comfortable, architecturally styled recessed LED luminaire designed with a minimalistic strategy to achieve sustainable objectives.
- Low profile standard configuration is only 2-7/8" deep requiring minimal plenum space. Integral emergency (EMLED) configuration is 4-1/8" deep.
- Soft opal diffuser with large luminous area minimizes apparent brightness and provides high visual comfort perfect for a wide variety of general lighting applications like offices, schools, retail, or healthcare.
- Multiple lumen packages over a wide range to provide significant application flexibility over light levels and/or luminaire spacing.
- Directs a controlled amount of light to the higher angles in the room to balance the brightness of the surfaces and eliminate "cave effect" while creating the impression of a larger, brighter space without glare.
- Excellent color rendering with a CRI of 80.
- LEDs are an excellent source for use with controls since dimming or frequent switching does not degrade the performance or life of the source. Integral or external sensors are available for use.
- Designed for use with standard Grid (NEMA "G") or Narrow Grid (NEMA "NFG") ceiling T-bars.
- Continuous row mount option (CRM) includes wireway covers on each end.

## Construction/Finish

- Uncomplicated design is 2-7/8" (standard configuration) in depth and only requires a few parts outside of the electrical system and hardware, creating several benefits:
  - Less material required
  - Less packaging required
  - Reduced weight
  - Less energy required for construction and assembly
  - More luminaires can be shipped per truck to reduce fuel use and emissions
- Luminaire finish is matte white polyester for a high quality, durable finish.
- T-bar grid clips are integral to body.

## Electrical

- Integral sensor options for occupancy sensing and/or daylight harvesting are available for additional energy savings with no reduction of life or increase in installation labor.
- Total luminaire efficacy as high as 106 LPW (lumens per Watt).
- LED board is easily accessible from below without tools. Single LED board is replaceable if needed via plug-in connectors to ensure long service life.
- LED driver is accessible from above.
- Five year limited luminaire warranty includes LED boards and driver (emergency driver and batteries have a three year warranty in models so equipped.) Visit [www.philips.com/warranties](http://www.philips.com/warranties) for complete warranty information.
- TM-21 predicted L70 lumen maintenance up to 80,000 hours.
- cETLus listed to UL and CSA standards, suitable for damp locations.

## Enclosure

- Opal diffuser provides soft, comfortable lighting while maintaining high efficiency.
- Diffuser requires no frames or fasteners and can be easily removed from below without tools if needed.

# 1EVG EvoGrid recessed 1x2

up to 3000 lumens

## Wireless Controls Options

### SpaceWise DT (SWZDT)

- Standalone daylight and occupancy sensing with advanced grouping, wireless mesh networking and dwell time.
- Commissioning via compatible Android phone and Philips Field App
- Dimming via compatible Zigbee wireless wall switch only (see link below for details)
- Register for the commissioning app at <http://registration.componentcloud.philips.com/appregistration/>
- Integral sensing options may not be combined
- For more information including recommended switches, refer to the following: -

**SWZDT** - [www.usa.lighting.philips.com/systems/lighting-systems/spacewise](http://www.usa.lighting.philips.com/systems/lighting-systems/spacewise)

### Interact Pro scalable sensor for Foundation, Advanced & Enterprise tiers (SWZCS and an evolution of SpaceWise)

- SWZCS is a connected sensor with integral occupancy and daylight sensing and supports wireless mesh connectivity.
- The sensor works in the Foundation mode (similar to SpaceWise) when configured without a gateway or in an Interact Pro Advanced or Enterprise mode if a compatible gateway is used.
- Interact Pro includes an App, a portal and a broad portfolio of wireless luminaires, lamps and retrofit kits all working on the same system.
- Startup is implemented via Interact Pro App (Android or iPhone) & BlueTooth connectivity. The App provides flexibility to choose between a gateway or non gateway mode for setup.
- Setup with the gateway requires wired internet access to the gateway. It is possible to add a gateway at a later point.
- Prepare project configuration steps remotely and use IRT9015 remote onsite to identify and group devices together.
- Compatible with:
  - SWS200 wireless scene switch
  - Battery powered IP42 presence sensor OCC sensor IA CM WH 10/1
  - Battery powered IP42 presence & daylight sensor OCC-DL sensor IA CM IP42 WH
  - LCN3110: Battery powered IP65 presence sensor, OCC sensor IA CM IP65WH
  - LCN3120: Battery powered IP65 presence & daylight sensor, OCC-DL sensor IA CM IP65 WH
- For more information on Interact Pro visit: [www.interact-lighting.com/interactproscalablesystem](http://www.interact-lighting.com/interactproscalablesystem)

# 1EVG EvoGrid recessed 1x2

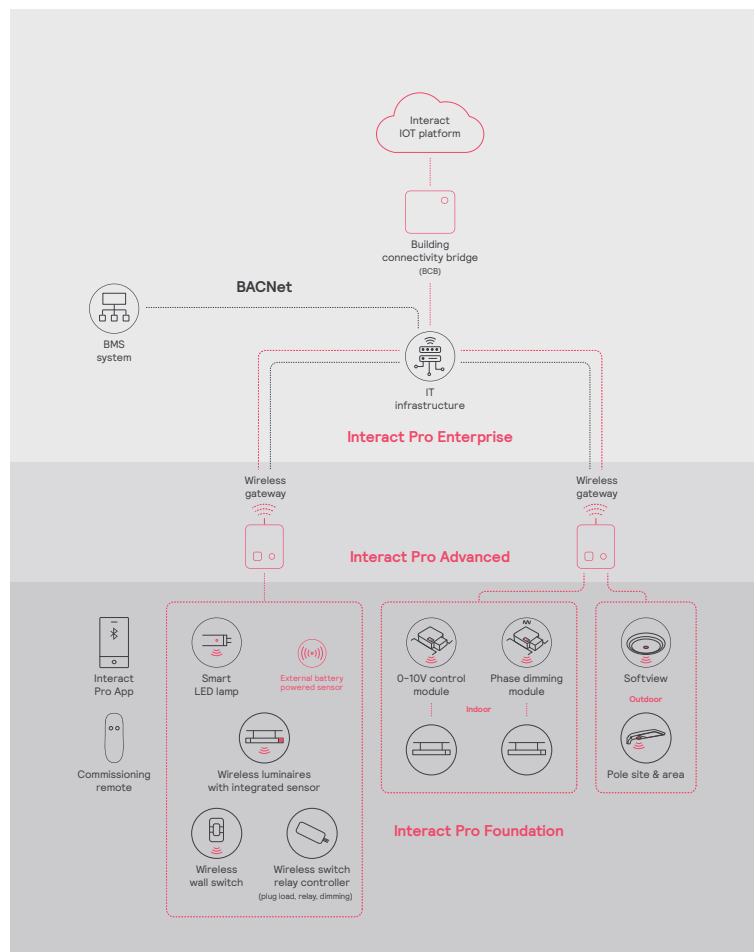
up to 3000 lumens

Interact Pro scalable system			
	Foundation	Advanced	Enterprise
Dimming, grouping, and zoning	✓	✓	✓
Bluetooth and ZigBee enabled	✓	✓	✓
Motion sensing and daylight harvesting	✓	✓	✓
Integration with 0-10V and phase dimming fixtures	✓	✓	✓
Code compliance	✓	✓	✓
Granular dimming and dwell time	✓	✓	✓
Energy reporting and monitoring		✓	✓
Scheduling		✓	✓
Demand response		✓	✓
BMS integration (BACnet)			✓
Floor plan visualization			✓
IoT sensors for wellness			✓
IoT Apps for productivity			✓

## Currently supported maximum system size

To be able to design the lighting system correctly for the customer, it is important to know the prime characteristics of the system, its possibilities and limitations.

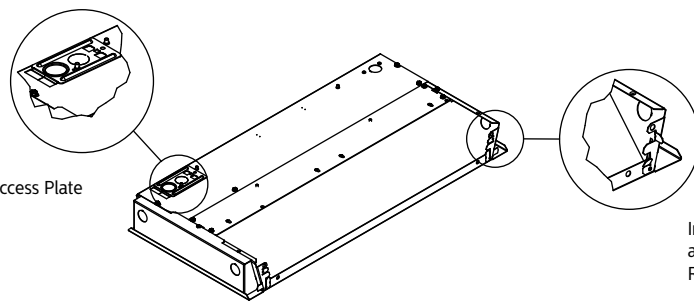
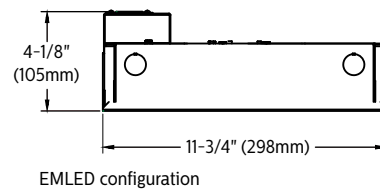
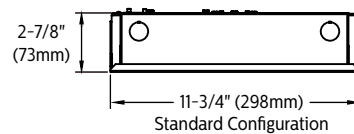
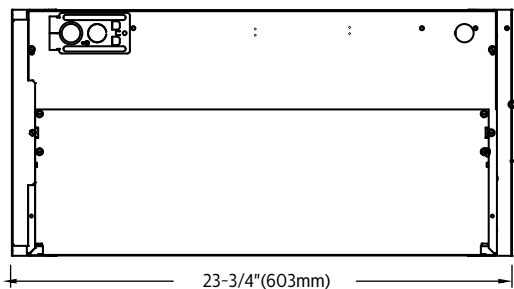
System level	
Total number of gateways	Unlimited
Total number of devices	200 per network
• luminaires with integrated sensors	150
• smart TLEDs	150
Total number of ZGP devices (sensors and switches)	50
• sensors	30
• switches	50
• zones and groups	64
Group level	
Recommended number of lights	40 (recommended 25)
Number of ZGP devices	5
Number of scenes	16



# 1EVG EvoGrid recessed 1x2

up to 3000 lumens

## Dimensions



Integral Grid Clips – Bend upper tab outward at 90°. Bend lower tab outward approx. 20°. Repeat for all four corners.

## Photometry

### 1x2 EvoGrid LED recessed, 3000 nominal delivered lumens

### LER – 106

Catalog No.	1EVG30L835-2-D-UNV	Candlepower				Light Distribution			Average Luminance						
		Angle	End	45	Cross	Degrees	Lumens	% Luminaire	Angle	End	45°	Cross			
Test No.	36589	0	1125	1125	1125	0-30	860	28.5	45	20143	21597	22713			
S/MH	1.2	5	1111	1122	1126	0-40	1393	46.2	55	17613	20856	22656			
Lamp Type	LED	15	1059	1077	1083	0-60	2430	80.6	65	15884	19150	19175			
Lumens	3012	25	956	981	993	0-90	3012	100.0	75	13599	15355	13022			
Input Watts	29	35	820	855	877	0-180	3013	100.0	85	10843	5042	3402			
		45	668	716	753										
		55	474	561	609										
		65	315	379	380										
		75	165	186	158										
		85	44	21	14										
Comparative yearly lighting energy cost per 1000 lumens – \$2.26 based on 3000 hrs. and \$.08 pwr KWH.															
The photometric results were obtained in the Day-Brite laboratory which is NVLAP accredited by the National Institute of Standards and Technology.															
Photometric values based on test performed in compliance with LM-79.															
						Coefficients of Utilization									
						EFFECTIVE FLOOR CAVITY REFLECTANCE 20 PER (pfc=0.20)									
						pcc		80			70		50		
						pw		70	50	30	70	50	30	50	30
						RCR									
						0	118	118	118	115	115	115	111	111	
						1	109	105	100	106	102	97	97	94	
						2	98	91	84	96	89	82	85	81	
						3	91	80	71	88	79	70	76	68	
						4	82	70	63	81	69	61	67	59	
						5	76	64	55	73	63	54	59	53	
						6	70	56	48	68	56	47	55	46	
						7	66	52	42	64	51	42	50	41	
						8	60	47	39	58	46	39	46	38	
						9	56	44	35	56	42	34	41	34	
						10	53	40	32	52	40	32	39	32	



© 2022 Signify Holding. All rights reserved. The information provided herein is subject to change, without notice. Signify does not give any representation or warranty as to the accuracy or completeness of the information included herein and shall not be liable for any action in reliance thereon. The information presented in this document is not intended as any commercial offer and does not form part of any quotation or contract, unless otherwise agreed by Signify.

Signify North America Corporation  
400 Crossing Blvd, Suite 600  
Bridgewater, NJ 08807  
Telephone 855-486-2216

Signify Canada Ltd.  
281 Hillmount Road,  
Markham, ON, Canada L6C 2S3  
Telephone 800-668-9008

All trademarks are owned by Signify Holding or their respective owners.