



The Stonco LED Security Light is an economical solution delivering the right light required for commercial or residential applications. It's reliable LED technology, ensures maintenance-free installation and a long lifetime.

Project: _____
 Location: _____
 Cat.No: _____
 Type: _____
 Notes: _____

Ordering Guide

Example: SL20-SCT-G1-8-BK

Luminaire	Color Temperature	Generation	Options	Voltage	Finish
SL20	SCT	G1	-	8	
SL20 SL Security Light	SCT CCT Selectable (30K-40K-50K)	G1 Generation 1	- Integrated motion and Daylight Sensor	8 120-277V	BK Black WH White

Product Specifications

General Description

LED Security Light combines economy with efficiency and is provided with LED technology that offers significant savings over traditional incandescent security luminaires. Ideal for security, building entryways and walkways, it's reliable LED technology, ensures maintenance-free installation and a long lifetime. LED Security Light can also be used throughout corridors for added security and illumination.

Sensor

PIR motion sensor integrated to the luminaire with adjustable sensitivity, time delay and lux.

Electrical

120V - 277V driver. RoHS compliant

Optical System

Polycarbonate reflector Sealing with silicone gasket, glass diffuser. Typical CRI >70.

Mounting

Standard luminaire provided with galvanized mounting bracket. Mounts directly over a 4" recessed j-box.

Listings

DLC 5.1 Standard listed. UL listed to the UL 1598 standard, suitable for Wet Locations.

Finish

Each luminaire receives a powdercoat finish. Can chose between Black (BK) and White (WH) color.

Limited Warranty

LED Wall Light luminaires feature a 5 year limited warranty. See signify.com/warranties for details.

SL Security Light

LED Wattage and Lumen Values

Ordering Codes	Total LEDs	System Current (mA)	Color Temp. (K)	Average System Wattage ¹	Lumen Output ^{1,2}	Efficacy (LPW)
SL20-SCT-G1-8-BK	40	170 @ 120V	3000 4000 5000	20	2200 2600 2300	110 130 115

1. Wattage and lumen output may vary by due to LED manufacturer forward volt specification and ambient temperature. Wattage shown is average for 120V input. Measured wattage may vary due to variation in input voltage..
2. Lumen values based on photometric tests performed in compliance with IESNA LM-79.

NOTE: Contact outdoorlighting.applications@philips.com for details or additional information.

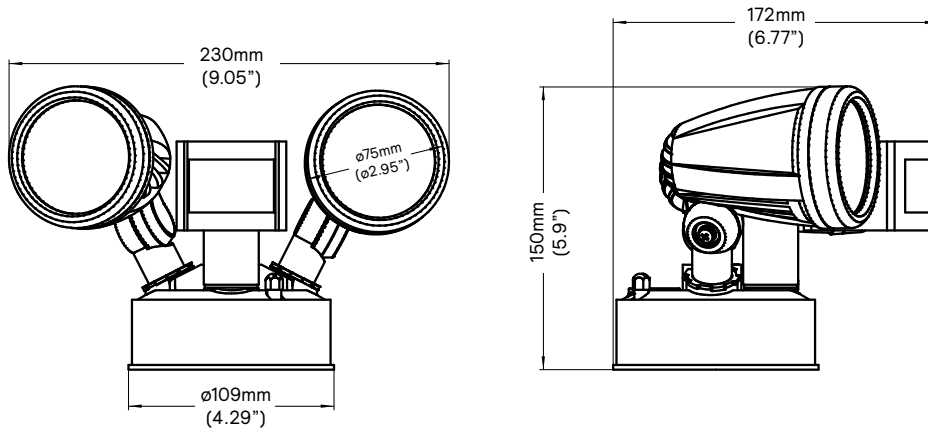
Predicted Lumen Depreciation Data

Predicted performance derived from LED manufacturer's data and engineering design estimates, based on IESNA LM-80 methodology. Actual experience may vary due to field application conditions. L70 is the predicted time when LED performance depreciates to 70% of initial lumen output. Calculated per IESNA TM21-11. Published L70 hours limited to 6 times actual LED test hours.

Ambient Temperature °C	LED Current mA	Calculated L ₇₀ hrs ^{1,2}	L ₇₀ Per TM-21 ³	Lumen Maintenance % @ 60,000hrs ¹
25°C	150	79,000	60,000	75%

1. Predicted performance derived from LED manufacturer's data and engineering design estimates, based on IESNA LM-80 methodology. Actual experience may vary due to field application conditions.
2. L70 is the predicted time when LED performance depreciates to 70% of initial lumen output.
3. Calculated per IESNA TM 21-11. Published L70 hours limited to 6 times actual LED test hours

Dimensions



© 2024 Signify Holding. All rights reserved. The information provided herein is subject to change, without notice. Signify does not give any representation or warranty as to the accuracy or completeness of the information included herein and shall not be liable for any action in reliance thereon. The information presented in this document is not intended as any commercial offer and does not form part of any quotation or contract, unless otherwise agreed by Signify.

Signify North America Corporation
400 Crossing Blvd, Suite 600
Bridgewater, NJ 08807
Telephone: 800-555-0050

Signify Canada Ltd.
281 Hillmount Road,
Markham, ON, Canada L6C 2S3
Telephone: 800-668-9008

All trademarks are owned by Signify Holding or their respective owners.