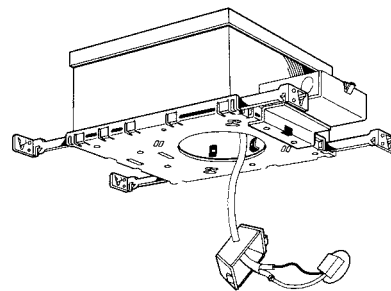
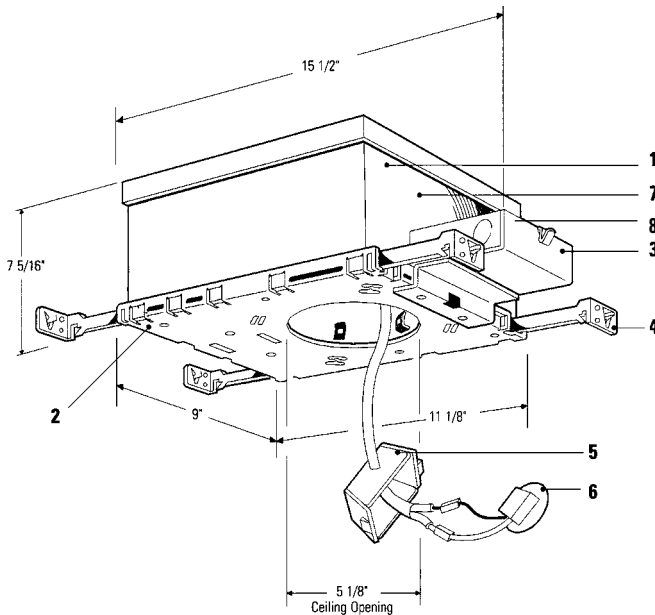
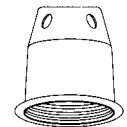


Project: _____
 Location: _____
 Cat.No: _____
 Type: _____
 Lamps: _____ Qty: _____
 Notes: _____



FRAME-IN KIT



REFLECTOR TRIM

Complete Fixture consists of Reflector Trim & Frame-In Kit. Select each separately.

Frame-In Kit	Reflector Trims — See Individual Reflector Trim Specification Sheets			
	Adjustable			
1000ICV	Baffles	Aperture Cone	Pinhole	Elbow
	1055LV 1055WHLV	1063LV 1064WDLV 1064LV 1064WDPLV 1056LV 1064CDLV	1052LV	1062LV

Features

- Housing:** .026" (#20 ga.) galvanized steel. U.L. listed for direct contact with thermal insulation. Access door for inspection of junction box.
- Mounting Frame:** .036" (#20 ga.) galvanized steel. Accommodates all ceilings up to 1" thick. Four slots are positioned 90° apart to simplify alignment. Push-in/twist-out rotoclips hold reflector flush to ceiling.
- Junction Box:** 2" x 4" x 4", .063" (#14 ga.) galvanized steel. U.L. listed for, maximum of 6 No. 12 ga., 90° C through branch circuit conductors. Quick release "L" shaped cover for outside access to wiring. Access door inside of housing allows easy inspection of wiring without removal of housing. Integral cable clamps permit attachment of nonmetallic Romex® or armored cable without the need for additional connectors.
- Mounting Bars:** .059" (#16 ga.) galvanized steel. 13" long bars extend to 27", rotatable and lockable, with integral T-bar tabs. Attach to wood joist or T-bar ceilings without need of accessories.
- Socket Housing:** .036" (#20 ga.) galvanized steel.
- Socket:** Field replaceable. Two pin socket, pre-wired with #18 SF1 leads to junction box.
- Thermal Protector:** Meets NEC and U.L. requirements. Located inside housing.
- Transformer:** Mounted inside, magnetic, 120V primary, nominal 12V secondary. Removable from below.

1000ICV Lytecaster INC 5"

IC Low Voltage Frame

Dimming

Dimming Controls: Use only dimmers specifically designed for use with magnetic transformers, like Lightolier Onset, Sunrise series LV or VA, dimmers, or any Lightolier Controls dimming system. Low voltage fixtures may produce audible sound when used with dimmers, which may be objectionable in acoustically critical areas.

Options & Accessories

Mounting Bars:	1964 - 20" set of (2)
Plaster Ceiling Ring:	1960 - 7/8" depth for wet plaster ceilings.
Extra-Thick Ceiling	
Mounting Ring:	1967B - up to 2" thick ceilings.
MR-16 Socket Replacement:	1975A
T-Bar Ceiling Clips:	1956 set of (4)

Labels

UL (Type I.C., Suitable for Damp Locations), I.B.E.W.

Romex® is a registered Trademark of General Cable Industries Inc.

