

Day-Brite CFI

by  Signify

Recessed

EvoGrid 2x2

with tunable white technology
3200/3900/4300 lm



Project: _____
 Location: _____
 Cat.No: _____
 Type: _____
 Lamps: _____ Qty: _____
 Notes: _____

Day-Brite / CFI EvoGrid LED recessed utilizes highly reliable and efficient Philips LED platform boards and dimmable driver enabling market leading performance in its category. Its soft opal diffuser with large luminous area minimizes apparent brightness compared to other basket luminaires and provides general lighting perfect for a wide variety of applications. Tunable white light allows color temperature flexibility between 2700K and 6500K CCT.

Ordering guide

Example: 2EVG32L8TW-2-D-UNV-DTW

| Width | Family | Ceiling Type | Air Function | Lumens | Color | Length | Center Diffuser | Voltage | Driver | Options |
|-------|------------|--------------|--------------|---|---|--------|------------------|-------------------------------------|--------------------------------|---|
| 2 | EV | G | | | 8TW | 2 | D | UNV | DTW | |
| 2 2' | EV EvoGrid | G Grid | blank Static | 32L 3200 nominal delivered lumens 39L 3900 nominal delivered lumens 43L 3500 nominal delivered lumens | 8TW 80 CRI, 2700K thru 6500K white light tuning | 2 2' | D Diffuse (opal) | UNV Universal Voltage, 120-277 volt | DTW Dual channel tunable white | EMLED Internal emergency, 1100lm nominal, 6500K color circuit only F1/D 3/8" twin flex, 3 wire 18 gauge 6' for dimmable luminaires F2/7W 3/8" single flex, 7 wire 18 gauge 6' for dimmable luminaires GLR Fusing, fast blow DSC Quick driver disconnect |

Accessories (order separately)

- **FMA22** – 2'x2' "F" mounting frame for NEMA "F" mounting
- **EVD2L** – EvoGrid 2' replacement lens



2EV EvoGrid recessed LED 2x2

with tunable white technology, 3200/3900/4300 lm

Application

- A highly efficient, visually comfortable, architecturally styled recessed LED luminaire designed with a minimalistic strategy to achieve sustainable objectives.
- Low profile configuration is only 2-3/4" deep, requiring minimal plenum space
- Soft opal diffuser with large luminous area minimizes apparent brightness and provides high visual comfort perfect for a wide variety of general lighting applications like offices, schools, retail, or healthcare.
- Multiple lumen packages over a wide range to provide significant application flexibility over light levels and/or luminaire spacing.
- Directs a controlled amount of light to the higher angles in the room to balance the brightness of the surfaces and eliminate "cave effect" while creating the impression of a larger, brighter space without glare.
- Excellent color rendering with a CRI of 80.
- Designed for use with standard Grid (NEMA "G") or Narrow Grid (NEMA "NFG") ceiling T-bars. Drywall or plaster requirements can be accommodated by using an FMA24 "F" mounting frame (sold separately.)
- Continuous row mount option (CRM) includes wireway covers on each end and on one side of housing.

Construction/Finish

- Uncomplicated design is 2-3/4" in depth and only requires a few parts outside of the electrical system and hardware, creating several benefits:
 - Less material required
 - Less packaging required
 - Reduced weight
 - Less energy required for construction and assembly
 - More luminaires can be shipped per truck to reduce fuel use and emissions
- Luminaire finish is matte white polyester for a high quality, durable finish.
- T-bar grid clips are integral to body.

Electrical

- Must order compatible Philips Lighting control system.
- LED board is easily accessible from below without tools. Single LED board is replaceable if needed via plug-in connectors to ensure long service life.
- LED driver is accessible from above.
- Five year limited luminaire warranty includes LED boards and driver (emergency driver and batteries have a three year warranty in models so equipped.) Visit www.philips.com/warranties for complete warranty information.
- TM-21 predicted L70 lumen maintenance up to 60,000 hours.
- cETLus listed to UL and CSA standards, suitable for damp locations.

Enclosure

- Opal diffuser provides soft, comfortable lighting while maintaining high efficiency.
- Diffuser requires no frames or fasteners and can be easily removed from below without tools if needed.

General Notes

- All options factory installed.
- All accessories are field installed.
- Many luminaire components, such as reflectors, refractors, lenses, sockets, lampholders, and LEDs are made from various types of plastics which can be adversely affected by airborne contaminants. If sulfur based chemicals, petroleum based products, cleaning solutions, or other contaminants are expected in the intended area of use, consult factory for compatibility.

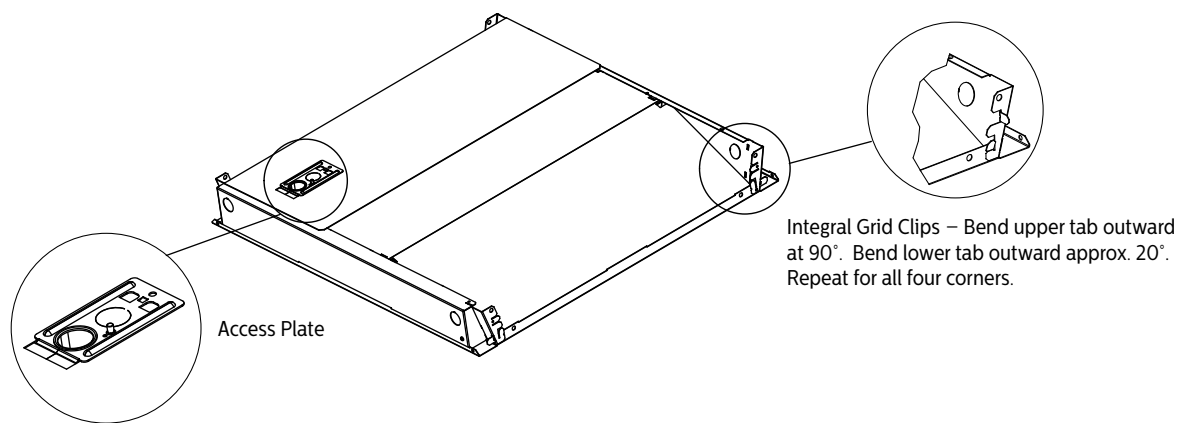
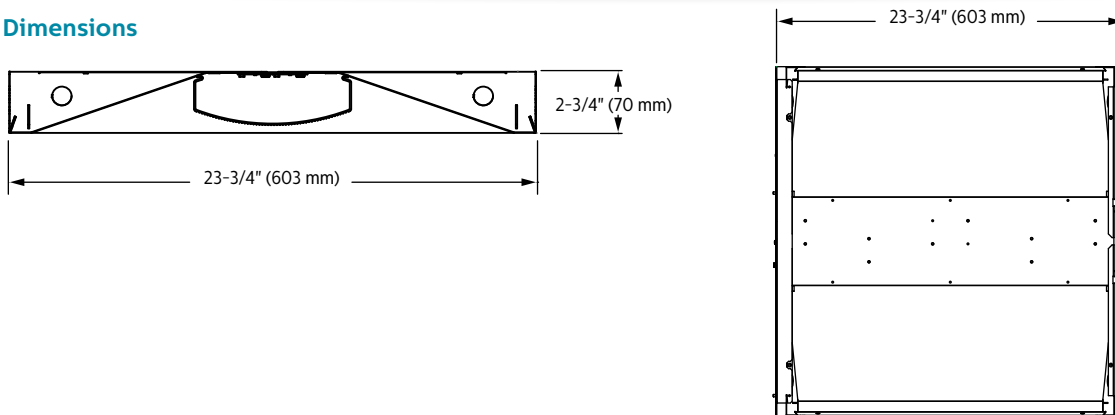
Controls

- Luminaires are not sold individually and are only compatible with load controllers, sensors, user interfaces and front end software from Philips. Philips controls platform allows for more flexibility with customized lighting scenes and behaviors as well as scalability of the tunable white solution into a more extensive lighting network management system. To learn more about the Philips controls solution please visit our tunable white page or <http://www.lighting-products.philips.com/our-brands/philips-controls/dynalite.html>

2EV EvoGrid recessed LED 2x2

with tunable white technology, 3200/3900/4300 lm

Dimensions



2EV EvoGrid recessed LED 2x2

with tunable white technology, 3200/3900/4300 lm

Electrical Specifications

| Input Voltage | 120V | | | 277V | | |
|-------------------------------|--------|--------|--------|--------|--------|--------|
| Nominal CCT | 2700K | | | 2700K | | |
| Nominal Lumens | 3200lm | 3900lm | 4300lm | 3200lm | 3900lm | 4300lm |
| Commissioned State | | | | | | |
| Power (W) | 36.5 | 44.3 | 50.0 | 36.3 | 44.0 | 49.5 |
| Current (A) | 0.31 | 0.38 | 0.42 | 0.16 | 0.18 | 0.2 |
| Power Factor | 0.98 | 0.99 | 0.99 | 0.85 | 0.88 | 0.90 |
| THD (%) | 15 | 14 | 12 | 18 | 17 | 16 |
| Off State Power (W) | 0.6 | 0.6 | 0.6 | 0.9 | 0.9 | 0.9 |
| Non-Commissioned State | | | | | | |
| Power (W) | 67.0 | 83.0 | 92.0 | 66.0 | 82.0 | 91.0 |
| Current (A) | 0.56 | 0.70 | 0.78 | 0.26 | 0.32 | 0.35 |

Photometry

2x2 EvoGrid recessed LED with tunable white, 3200 nominal delivered lumens, 2700K CCT

LER – 92

| | | | | | | | | | | | | | | | |
|--------------------|------------------------|--|------------|-----------|--------------|---|---------------|--------------------|--------------------------|------------|------------|--------------|----|----|--|
| Catalog No. | 2EVG32L8TW-2-D-UNV-DTW | Candlepower | | | | Light Distribution | | | Average Luminance | | | | | | |
| Test No. | 36253 | Angle | End | 45 | Cross | Degrees | Lumens | % Luminaire | Angle | End | 45° | Cross | | | |
| S/MH | 1.2 | 0 | 1202 | 1202 | 1202 | 0-30 | 910 | 27.6 | 45 | 10012 | 10740 | 11346 | | | |
| Lamp Type | LED | 5 | 1188 | 1197 | 1200 | 0-40 | 1466 | 44.4 | 55 | 9100 | 10281 | 11412 | | | |
| Lumens | 3298 | 15 | 1128 | 1141 | 1151 | 0-60 | 2533 | 76.8 | 65 | 8163 | 10310 | 12007 | | | |
| Input Watts | 36 | 25 | 1012 | 1034 | 1051 | 0-90 | 3298 | 100.0 | 75 | 7102 | 10651 | 12854 | | | |
| CCT | 2700K | 35 | 855 | 890 | 917 | 0-180 | 3298 | 100.0 | 85 | 5694 | 9175 | 10778 | | | |
| | | 45 | 679 | 728 | 770 | Coefficients of Utilization | | | | | | | | | |
| | | 55 | 501 | 566 | 628 | EFFECTIVE FLOOR CAVITY REFLECTANCE 20 PER (pfc=0.20) | | | | | | | | | |
| | | 65 | 331 | 418 | 487 | pcc | 80 | | | 70 | | | 50 | | |
| | | 75 | 176 | 264 | 319 | pw | 70 | 50 | 30 | 70 | 50 | 30 | 50 | 30 | |
| | | 85 | 48 | 77 | 90 | RCR | | | | | | | | | |
| | | Comparative yearly lighting energy cost per 1000 lumens – \$2.61 based on 3000 hrs. and \$.08 pwr KWH. | | | | | | | | | | | | | |
| | | The photometric results were obtained in the Day-Brite laboratory which is NVLAP accredited by the National Institute of Standards and Technology. | | | | | | | | | | | | | |
| | | Photometric values based on test performed in compliance with LM-79. | | | | | | | | | | | | | |
| | | 0 | 118 | 118 | 118 | 115 | 115 | 115 | 111 | 111 | | | | | |
| | | 1 | 108 | 103 | 98 | 105 | 101 | 96 | 96 | 93 | | | | | |
| | | 2 | 97 | 90 | 82 | 95 | 88 | 81 | 83 | 79 | | | | | |
| | | 3 | 89 | 79 | 69 | 86 | 77 | 68 | 73 | 67 | | | | | |
| | | 4 | 81 | 69 | 60 | 80 | 68 | 59 | 66 | 58 | | | | | |
| | | 5 | 75 | 61 | 53 | 72 | 60 | 53 | 58 | 51 | | | | | |
| | | 6 | 69 | 56 | 46 | 68 | 55 | 46 | 53 | 46 | | | | | |
| | | 7 | 65 | 51 | 41 | 63 | 50 | 41 | 48 | 40 | | | | | |
| | | 8 | 59 | 46 | 38 | 58 | 46 | 38 | 44 | 36 | | | | | |
| | | 9 | 56 | 42 | 34 | 55 | 41 | 34 | 40 | 34 | | | | | |
| | | 10 | 53 | 39 | 32 | 51 | 39 | 30 | 38 | 30 | | | | | |

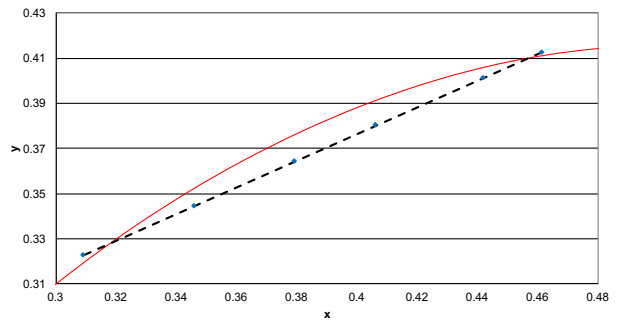
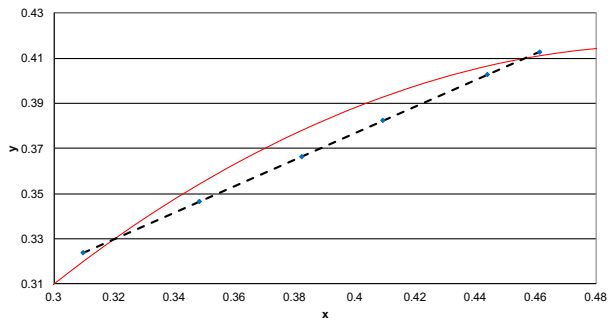
2EV EvoGrid recessed LED 2x2

with tunable white technology, 3200/3900/4300 lm

Color information

| 2x2 EvoGrid 3200lm | 2700K | 3000K | 3500K | 4000K | 5000K | 6500K |
|--------------------|--------|---------|---------|---------|---------|--------|
| Flux | 3348 | 3340 | 3310 | 3345 | 3227 | 3183 |
| Power | 35.9 | 37.5 | 35.2 | 34.3 | 32.4 | 29.2 |
| Efficacy | 93.4 | 89.1 | 93.9 | 97.6 | 99.6 | 109.1 |
| CCT | 2697 | 2876 | 3344 | 3868 | 4865 | 6726 |
| CRI | 82 | 84 | 86 | 87 | 88 | 85 |
| R9 | 15 | 20 | 30 | 37 | 38 | 22 |
| x | 0.4613 | 0.4437 | 0.4092 | 0.3823 | 0.3481 | 0.3095 |
| y | 0.4128 | 0.4026 | 0.3824 | 0.3666 | 0.3464 | 0.3238 |
| Duv | 0.0007 | -0.0014 | -0.0045 | -0.0054 | -0.0039 | 0.0021 |

| 2x2 EvoGrid 3900lm | 2700K | 3000K | 3500K | 4000K | 5000K | 6500K |
|--------------------|--------|---------|---------|---------|---------|--------|
| Flux | 4009 | 4043 | 4078 | 4178 | 4094 | 4088 |
| Power | 43.7 | 45.1 | 42.6 | 42.0 | 40.2 | 37.7 |
| Efficacy | 91.8 | 89.7 | 95.7 | 99.5 | 102.0 | 108.4 |
| CCT | 2699 | 2897 | 3395 | 3939 | 4943 | 6762 |
| CRI | 82 | 84 | 86 | 88 | 88 | 85 |
| R9 | 14 | 20 | 31 | 37 | 38 | 23 |
| x | 0.4611 | 0.4418 | 0.4061 | 0.3792 | 0.3459 | 0.3091 |
| y | 0.4126 | 0.4014 | 0.3803 | 0.3644 | 0.3446 | 0.3228 |
| Duv | 0.0006 | -0.0017 | -0.0048 | -0.0055 | -0.0039 | 0.0019 |



| 2x2 EvoGrid 4300lm | 2700K | 3000K | 3500K | 4000K | 5000K | 6500K |
|--------------------|--------|---------|---------|---------|---------|--------|
| Flux | 4436 | 4474 | 4497 | 4591 | 4469 | 4413 |
| Power | 49.1 | 50.2 | 47.0 | 46.0 | 43.7 | 41.1 |
| Efficacy | 90.3 | 89.2 | 95.7 | 99.8 | 102.4 | 107.5 |
| CCT | 2700 | 2895 | 3382 | 3916 | 4913 | 6776 |
| CRI | 82 | 84 | 86 | 87 | 88 | 85 |
| R9 | 14 | 20 | 31 | 37 | 38 | 23 |
| x | 0.4609 | 0.4419 | 0.4068 | 0.3801 | 0.3467 | 0.3089 |
| y | 0.4124 | 0.4013 | 0.3806 | 0.3648 | 0.3449 | 0.3224 |
| Duv | 0.0006 | -0.0017 | -0.0048 | -0.0056 | -0.0041 | 0.0018 |

