

# LUMEC

by  Signify

## Solar Solution

### RPS-SOL

442296118631-R5

**IMPORTANT:** FOR YOUR PROTECTION, YOU MUST CAREFULLY READ ALL WARNINGS AND INSTRUCTIONS IN THEIR ENTIRETY PRIOR TO INSTALLATION, OPERATION, SERVICE OR MAINTENANCE. FAILURE TO DO SO CAN RESULT IN DEATH, PERSONAL INJURY AND PROPERTY DAMAGE. If you do not understand these warnings and instructions, or if additional information is desired, please contact Signify, Lumec. TSC@signify.com phone 1-833-744-6439.



- Installation, service and maintenance of luminaires must be performed by a qualified professional and in accordance with all federal, state and local laws, regulations and electrical codes. This professional should be familiar with the construction and operation of this product and any hazards involved. If not qualified, do not attempt installation, service or maintenance.
- To reduce the risk of death, personal injury or property damage from fire, electric shock, falling parts, cuts, abrasions and other hazards, please read all warnings and instructions included with the luminaire, on the luminaire's packaging and affixed to the luminaire itself.
- Maintenance of the luminaires should be performed by person(s) familiar with the luminaire's construction and operation and any hazards involved.



#### WARNING

##### RISK OF FIRE, ELECTRIC SHOCK OR PERSONAL INJURY

- Disconnect or turn off power before attempting any installation, service or maintenance.
- Verify that supply voltage is correct by referencing the luminaire label information.
- Make all electrical and ground connections in accordance with the National Electrical Code (NEC) and any other applicable laws, regulations or codes.
- All wiring connections should be capped with UL-approved wire connectors.



#### WARNING

##### RISK OF FIRE OR PERSONAL INJURY

- Keep combustible materials away from LED/lamp & lens
- Do not operate in close proximity to persons, combustible materials or substances affected by heat or drying.



#### WARNING

##### RISK OF FIRE, ELECTRIC SHOCK OR PERSONAL INJURY

- Wear gloves and safety glasses at all times when removing luminaire from carton, installing, servicing or performing maintenance.
- Avoid direct eye exposure to the light source while it is on.



#### WARNING

##### RISK OF FIRE, ELECTRIC SHOCK OR PERSONAL INJURY

- Allow Led/lamp & lens to cool before handling.
- Do not touch enclosure or light source
- Do not exceed maximum wattage marked on luminaire label.
- Follow all manufacturer's warnings, recommendations, instructions and restrictions for driver type, burning position, mounting locations and replacement.



#### CAUTION

##### RISK OF PRODUCT DAMAGE

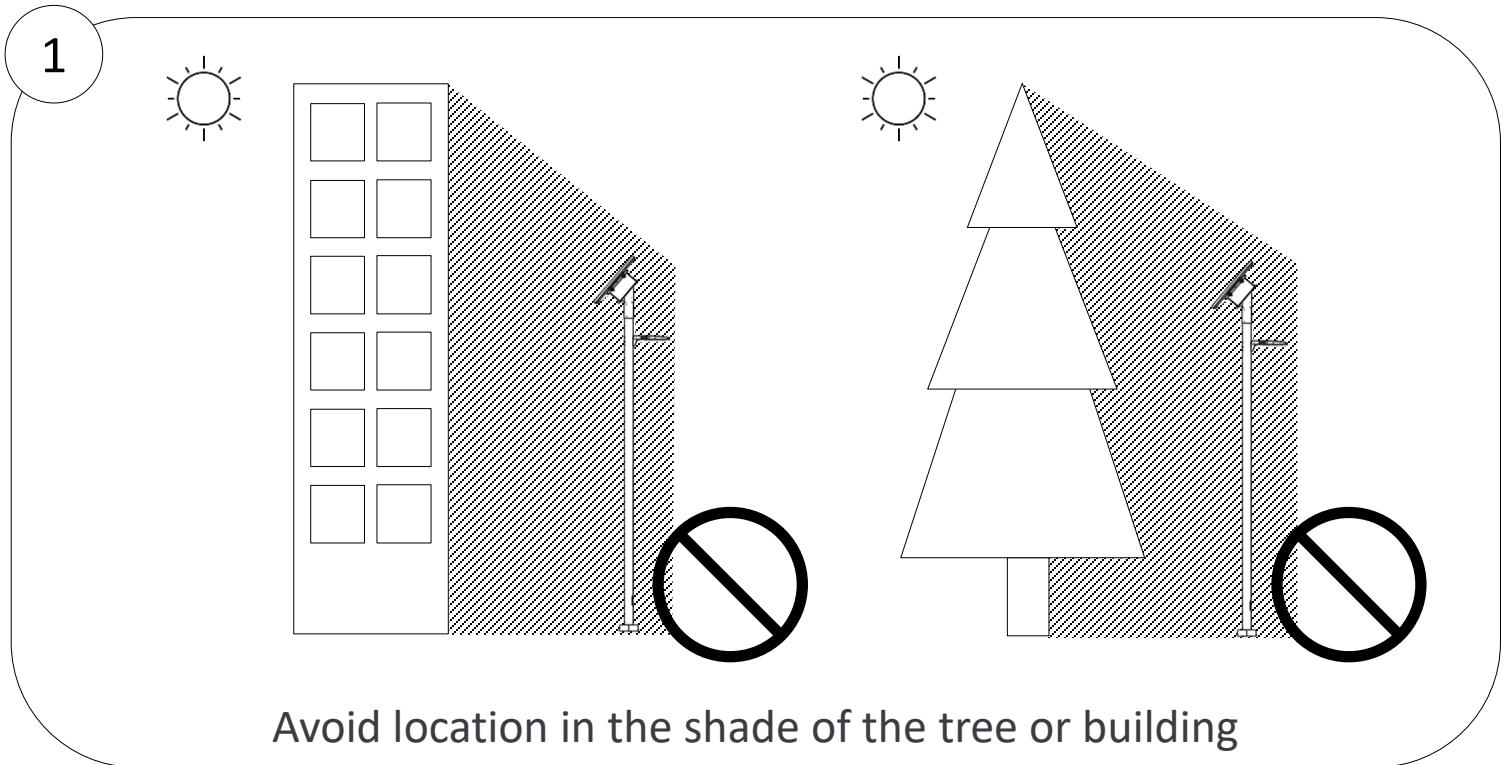
- Never connect luminaires and/or components under load with supply voltage turned on.
- Do not mount or support these luminaires in a manner that can cut the outer jacket or damage wire insulation.
- Do not restrict fixture ventilation. Allow for some volume of airspace around luminaire. Avoid covering luminaire with insulation, foam or other material that will prevent convection or conduction cooling.
- Do not exceed luminaire maximum ambient temperature.
- Do not modify the luminaire.
- Only use luminaire in its intended application and location.
- Led products are polarity sensitive. Ensure proper polarity before installation.
- Electrostatic Discharge (ESD) can damage LED. Personal grounding equipment must be worn during all installation and servicing of the luminaire.
- Do not touch individual electrical components as this can cause ESD, shorten LED life, or impact LED performance.
- Some components inside the luminaire may not be serviceable. In the unlikely event your luminaire may require service, stop using it immediately and contact Signify.
- Always read the luminaires complete installation instructions prior to installation for any additional luminaire specific warnings.
- In the case of HID or Fluorescent luminaires, regular re-lamping is required to keep luminaire operating within safe limits
- **Do not install damaged product.** Handling and installing damaged products can potentially increase the risks mentioned In case of damage and/or missing parts upon arrival of the luminaire.
- These instructions do not purport to cover all details or variations in equipment nor to provide every possible contingency to meet in connection with installation, operation or maintenance.
- Please see luminaire specific Installation and Maintenance Instruction for additional warnings or any applicable FCC or regulatory statements. Failure to follow any of these Instructions could void luminaires warranties.

##### Luminaire Maintenance

- Regular luminaire maintenance programs are recommended.
- It is recommended to clean the outside of the luminaire and the refractor/lens.
- Frequency of cleaning will depend on ambient dirt level and minimum light output which is acceptable to user.
- If clean water is not sufficient for cleaning, use a neutral, synthetic, not-scratching and not-abrasive cleaning substance.
- Never use alkaline and/or acetous cleaning substances.
- Make sure that the cleaning substance is carefully removed by rinsing with lots of clean water.
- Signify recommends using a cleaning solution that has a PH between 5 and 8.
- Recycle: For information on how to recycle electronic products and components, please visit [www.epa.gov](http://www.epa.gov).

## Installation best practice

1. In daytime, sunlight should shine on the PV panel directly without any shade and blocking, otherwise it will not work for charging and harm the battery lifetime.



2. First Installation should avoid deeply discharge the battery, installing in daytime or recharge the battery before installation, or shut down the luminaire in first night.
3. Protect all the connectors during installation away from sand and potential impurity for in ground, desert, soil and mud environment. Connectors are forbidden to be repaired when the cover is broken in the site, should be replaced.
4. Do not use any type of solvent for cleaning and be careful not to put too much pressure on the panel while cleaning.

## Battery Box & Solar Panel Assembly

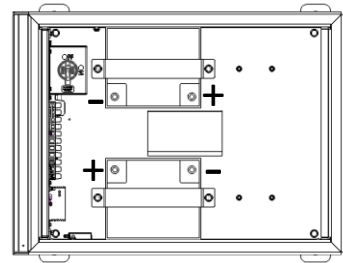
**CAUTION:** Please handle batteries carefully to avoid damage. (handles on some models)

1. Before starting the battery box assembly, provide a suitable work surface to lay the battery box flat. Example: use two trestles.
2. After laying the battery box down flat and stable, open the door and **secure it** with the safety arm. **Make sure the main switch is on "OFF" before starting the assembly.**
3. Position batteries as per show below & fix the batteries with straps and hardware provided (4) 1/4-20 X 1.5" SS bolts, (4) lock washers, (4) flat washers **Recommended torque: 3.2 ft-lbs.**

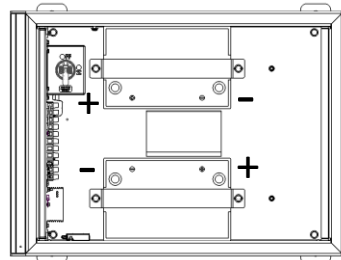


**CAUTION** Prevent over torque damage  
Do not over torque nuts and bolts

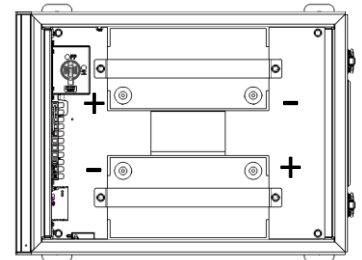
40Ah



70Ah



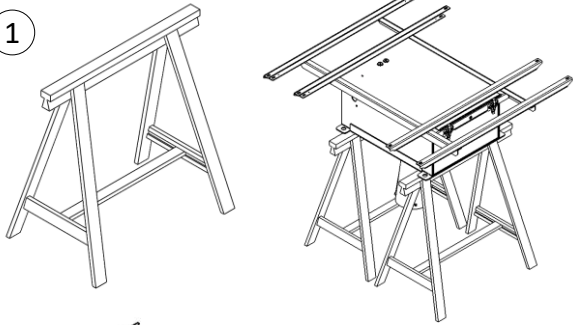
100Ah



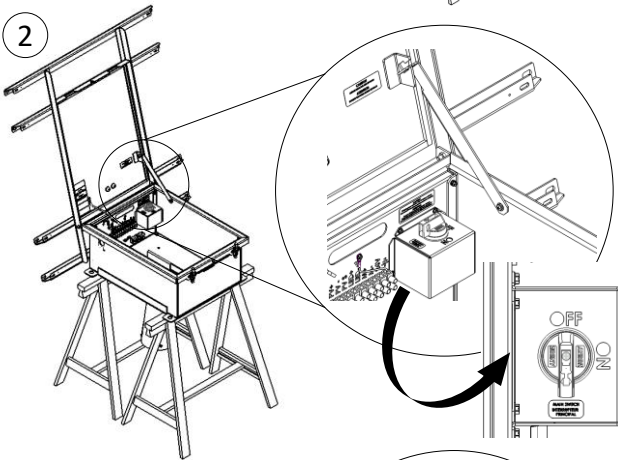
**NOTE:** It is important to place the batteries so that the poles face each other.

4. According to the electrical diagram, connect batteries cables to battery M6 terminals (positive/negative) with (2) M6 bolts, lock washers & washers. **Recommended torque: 3.2 ft-lbs.** Once connected, make sure the (2) positive terminal covers protect the terminals to prevent short circuit.

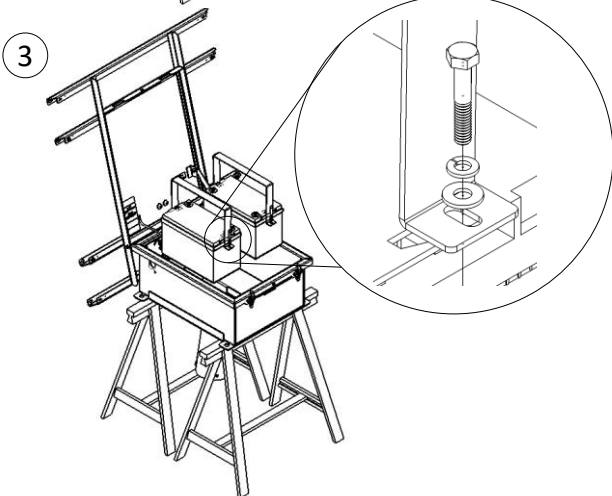
1



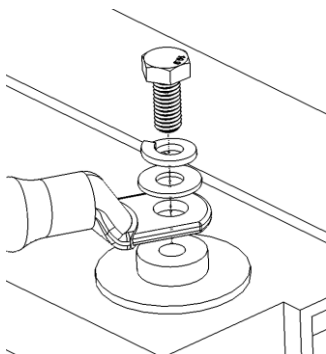
2



3



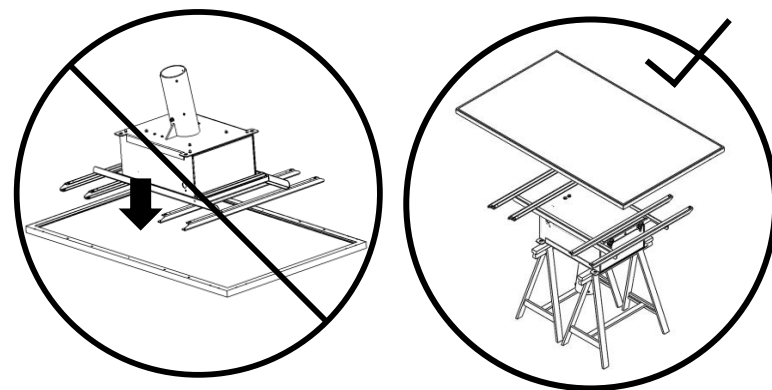
4



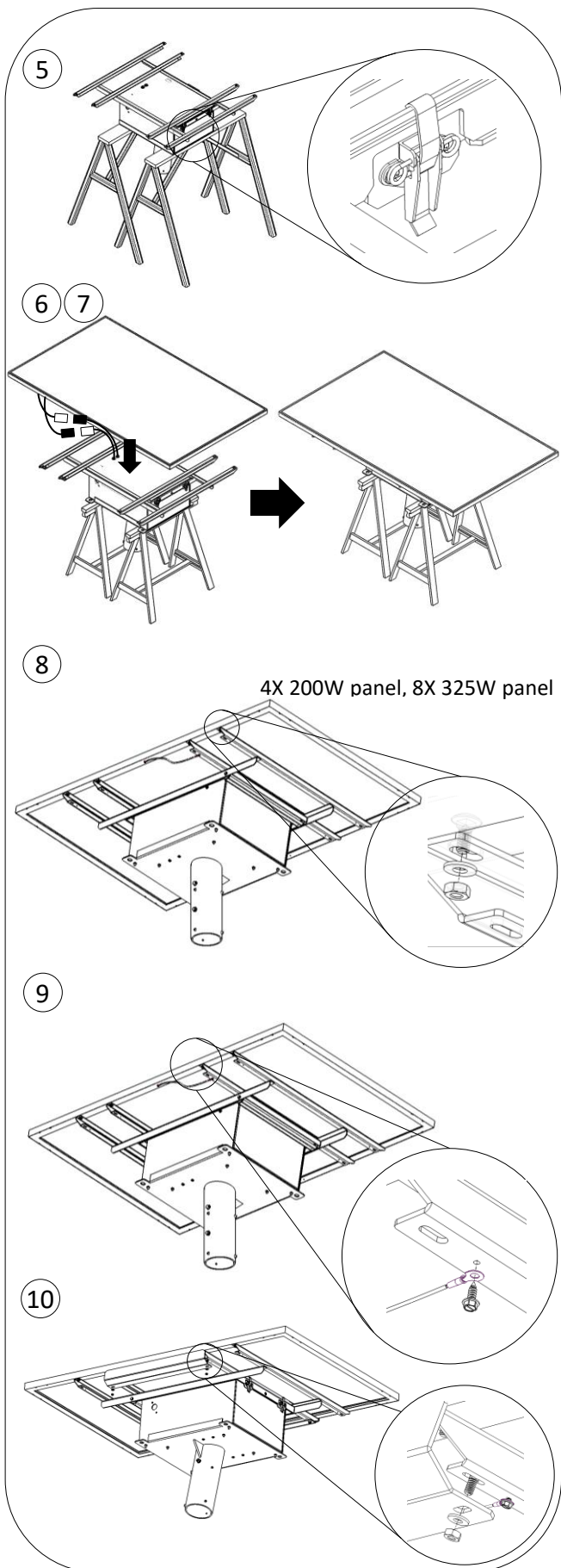
**CAUTION:** Do not attempt to install the solar system in windy conditions.

**IMPORTANT:** The PV panel is fragile. Never install the solar panel on the ground upside down, this could damage the panel. Always handle the solar panel carefully.

**NOTE:** Remove protective film on PV panel frame before installation.



5. Close the battery box cover using the 2 latches.
  6. Connect the Solar panel cables (male and female) to the battery box cables connectors (male and female) while placing the panel on the battery box lid.
  7. Secure the excess cable with nylon cable tie to solar panel frame.
  8. Secure solar panel to the frame using 1/4-20 X 5/8" ss carriage bolt, washers & ss nylon insert lock nuts.  
**Recommended torque: 6.25 ft-lbs.**
- IMPORTANT:** Reduce power tool speed when tightening stainless steel nylon insert lock nuts to reduce friction and prevent thread galling on the stainless steel bolt.
9. Fix the solar panel ground wire by screwing #8X1/2" self-tapping screw on ground wire terminal into the solar panel frame hole.
  10. Secure solar (2) panel protectors to the frame using (4) 1/4-20 X 5/8" ss carriage bolt, washers & ss nylon insert lock nuts. **Recommended torque: 6.25 ft-lbs.**

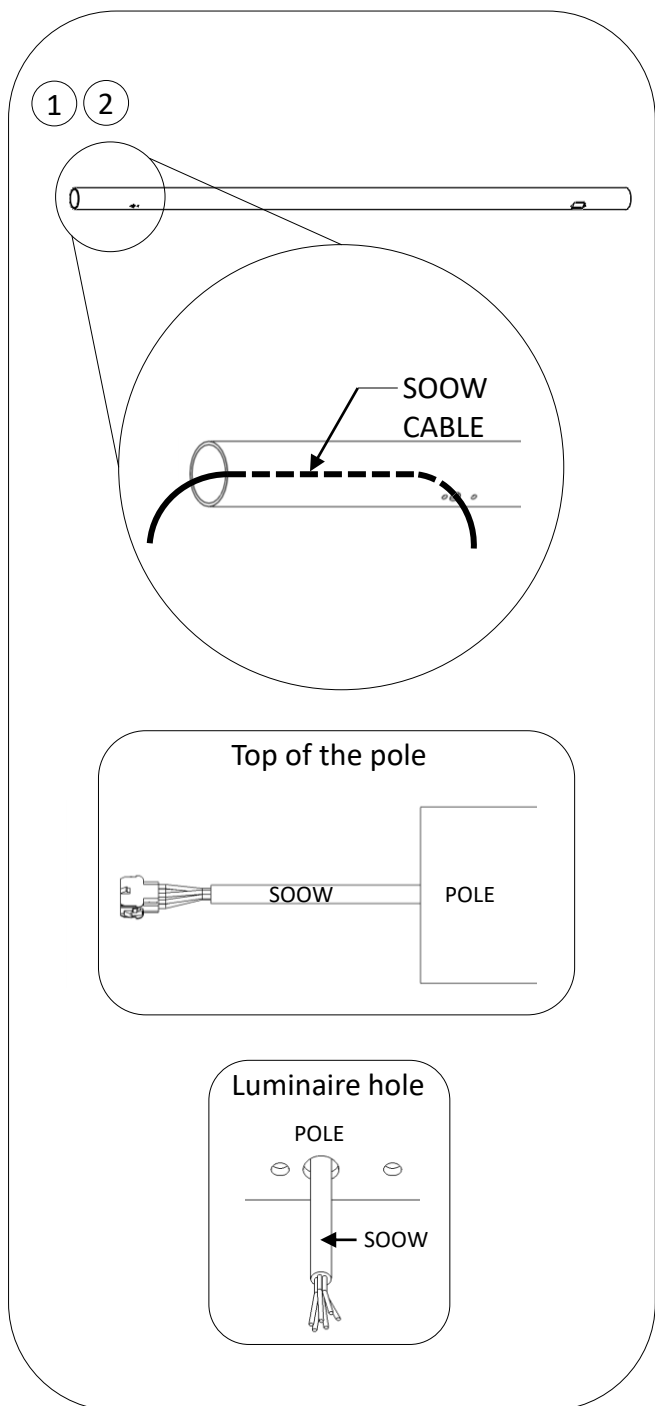


### Pole Assembly

1. Lay the pole flat on the ground without damaging it.
2. Pass the SOOW cable through the top of the pole and bring it out through the hole provided on the pole.

**IMPORTANT:** Do not install the arm and/or luminaire before lifting the pole into place. This could damage the arm/luminaire and could also be dangerous for the user.

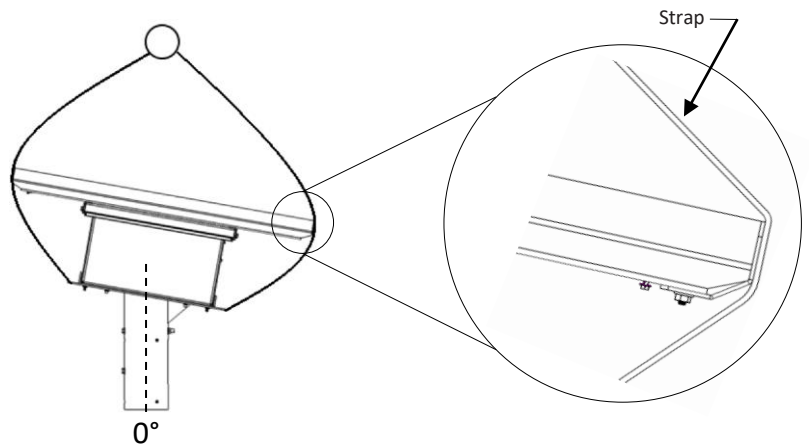
3. Refer to the installation instructions provided with the pole.
4. Carefully install the pole on the foundation bolts. Screw the nuts so that whole thing is snug.



## Solar System Installation

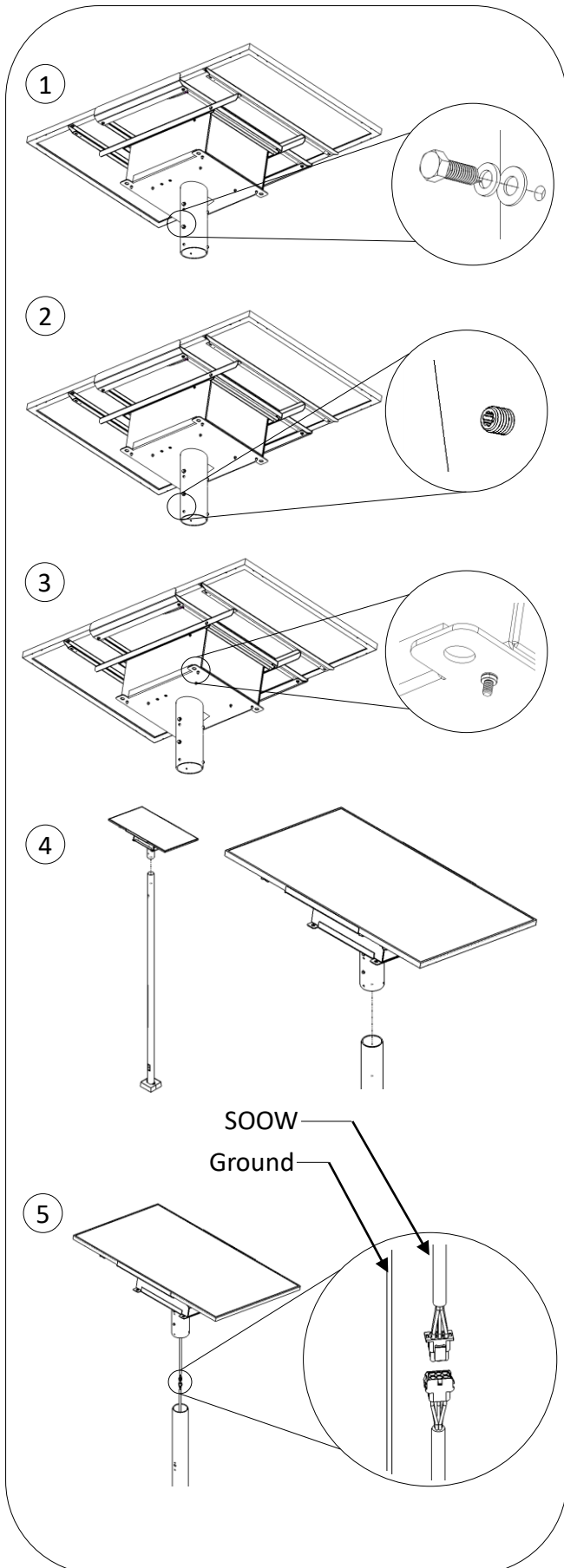
1. Remove the 3/8X 1" locking bolt, lock washer & washer to install the solar system tenon on the pole.
2. Loosen the set screws (6) 3/8-16, 1/2", to install the solar system tenon on the pole.
3. With the proper equipment, attach the lifting straps to the (4) eyelets provided.

**IMPORTANT:** Always adjust the straps so the tenon remains vertical when lifting to simplify installation on the pole. Make sure the straps are resting on the solar panel protectors on each side

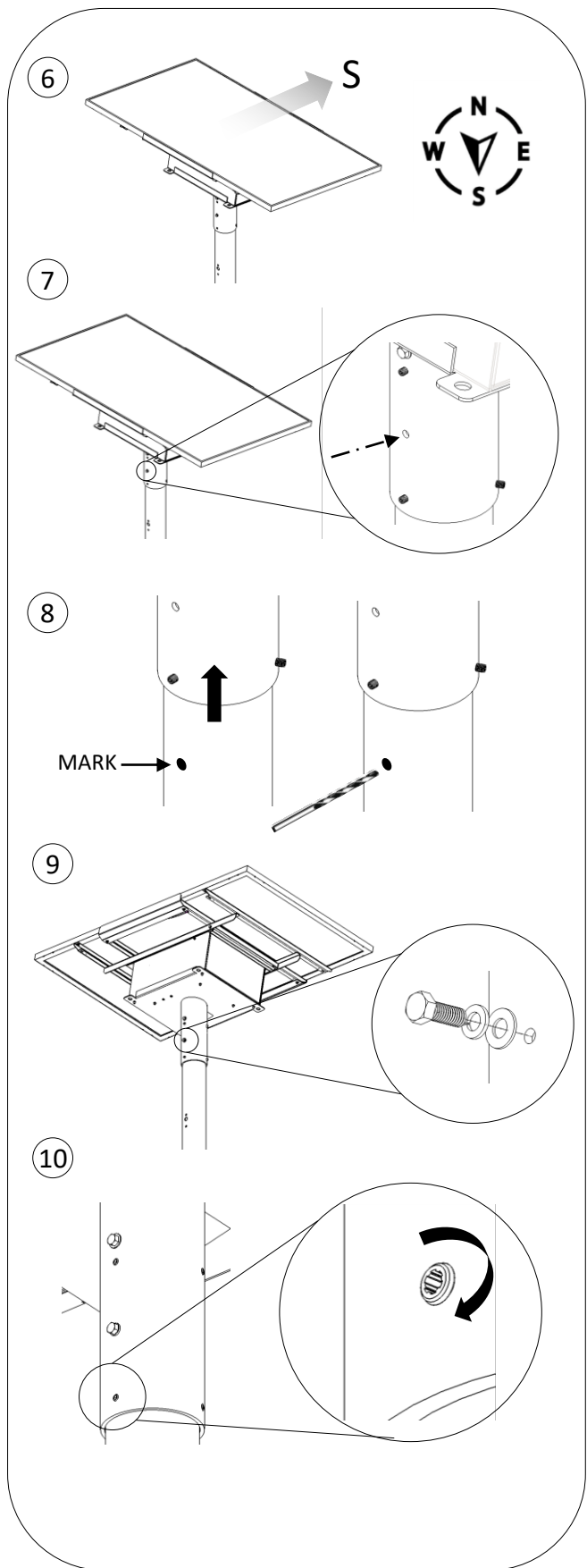


**IMPORTANT:** Secure the system with a tag line in order to handle the solar system safely and to reduce the chances of swinging .

4. Lift the solar system above the pole without damaging the solar panel.
5. Align the solar system on the post and place it smoothly on the post while completing the SOOW cable connection and letting the ground wire run to the base of the pole.

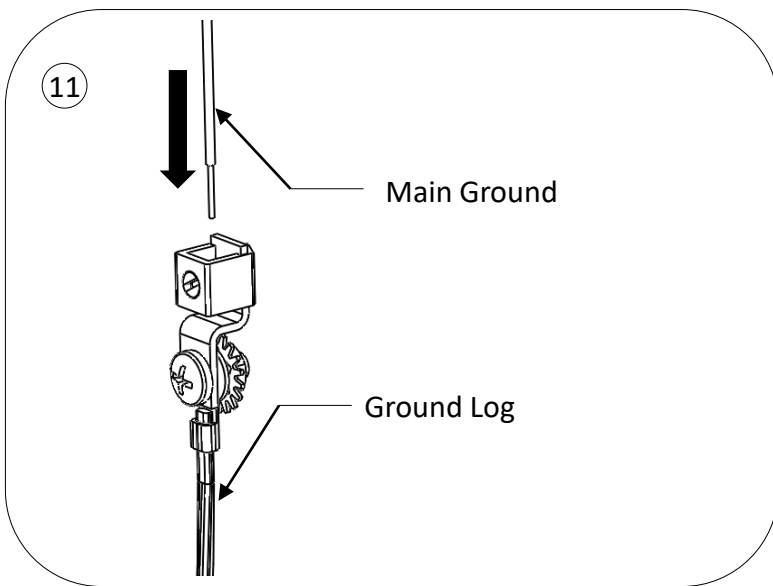




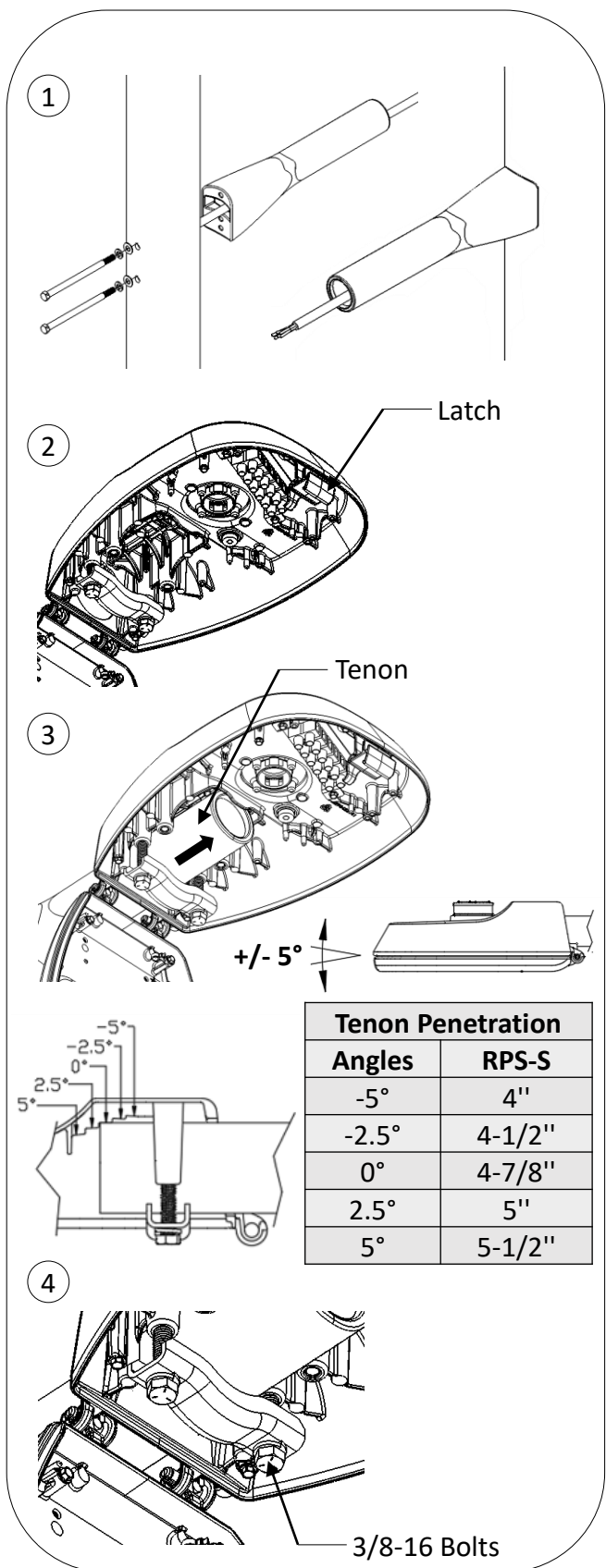


6. Using a compass, orient the face of the solar panel towards the south.
7. Once the system is aligned in the desired orientation, make a mark on the pole at the position of the locking bolt.
8. Lift the solar system slightly to clear the mark and drill a 1/2" hole at the mark.
9. Install the solar system on the pole and secure it with the locking bolt 3/8-16, 1", lock washer & washer. Tighten the bolt to the specified torque: **11.6 ft-lbs**.
10. Tighten the set screws (6) 3/8-16, 1/2" to the specified torque: **18 ft-lbs**.
11. Connect the main ground to the ground lug at the base of the pole.
12. **Contactors must provide and install Ground rod as per National Electrical code (NEC) article 250.52 (A)(5) or the local application regulation agency. Then, complete the connection between the rod and the ground lug.**

**CAUTION:** Never power up the product without ensuring that it is safely grounded.



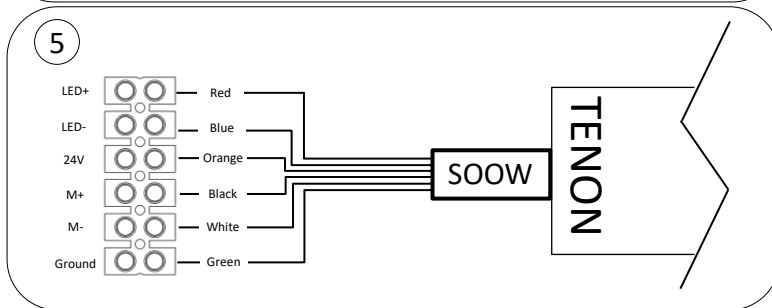
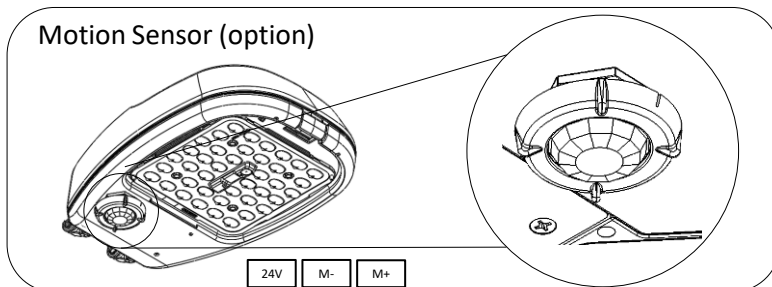
## RPS-SOL luminaire Installation



1. Install the arm on the pole while passing the SOOW cable through it. Secure the arm with bolts (2) 3/8-16", lock washers & washers. Tighten the bolts to the specified torque: **18 ft-lbs**.

**WARNING:** THE ELECTRICAL POWER MUST BE DISCONNECTED DURING ALL INSTALLATION OR SERVICE WORK. FAILURE TO FOLLOW THE INSTALLATION DOCUMENTATION OR OPERATING THIS PRODUCT OTHERWISE THAN FOR ITS INTENDED USE VOIDS THE WARRANTY.

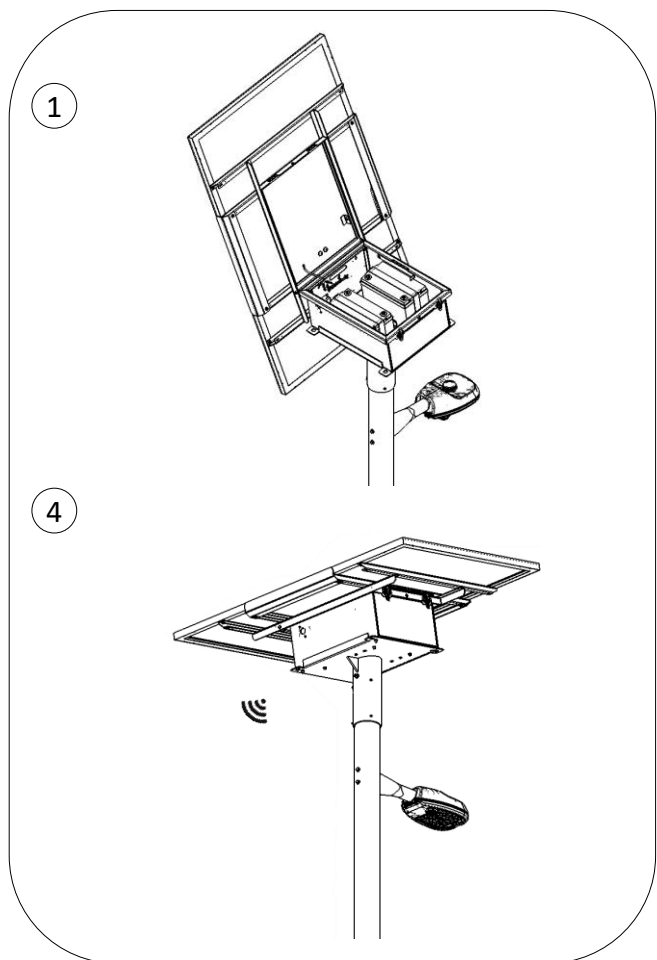
2. Pull the latch to release the access door.
3. Slide the fixture onto the tenon. See table for approximate penetration. Horizontal angle can be adjusted in 2.5° steps.
4. Evenly tighten all 3/8-16 bolts of the bracket. Tighten the bolts at **11.25 ft-lbs**. Number of bolts may vary depending on fixture size.
5. Connect the service leads to the terminal block. Tighten the set-screws between **1.7 and 2 ft-lbs**.
6. Close the access door of the luminaire once the connections are completed.



### FCC Part 15 Class A Products FCC Markings

**NOTE:** This equipment has been tested and found to comply with the limits for a Class A digital device, pursuant to part 15 of the FCC Rules. These limits are designed to provide reasonable protection against harmful interference when the equipment is operated in a commercial environment. This equipment generates, uses, and can radiate radio frequency energy and, if not installed and used in accordance with the instruction manual, may cause harmful interference to radio communications. Operation of this equipment in a residential area is likely to cause harmful interference in which case the user will be required to correct the interference at his own expense.





## Power supply of the system

1. Open the door and secure it with the safety arm.
2. Turn the switch to "ON" to turn on the system
3. Verify that the system is operational and that the light turns on.
4. Once on the ground, check BLE connectivity and validate configurations using the app on your smartphone.

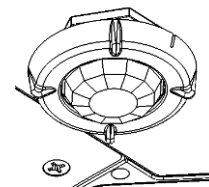
## Sensor Information

### Installation:

When included, the optional sensor is provided pre-wired and installed in the luminaire.

### Settings and Adjustments:

There are no settings or adjustments to make.

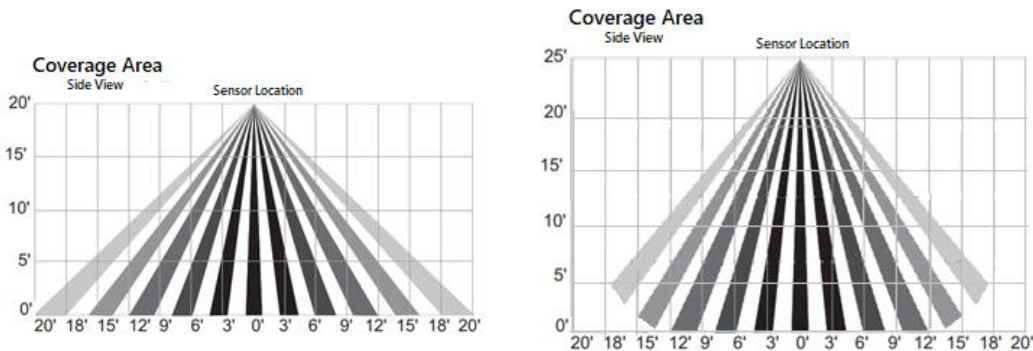


### Ambient temperature :

The temperature of the surrounding air in the coverage area will affect the sensor detection (sensitivity to detect motion). Hot air temperatures (above 89°F) will reduce the detection of the sensor and may require larger movement for detection. Cold air temperatures (below 39° F) will increase the detection of the sensor.

### Sensor Height:

Sensors mounted above 20' to 25' will have reduced detection at the perimeter of the coverage area. Elevating the sensor higher reduces the diameter of the coverage area. Mounting the sensor lower than 20' also reduces the diameter of the coverage area.



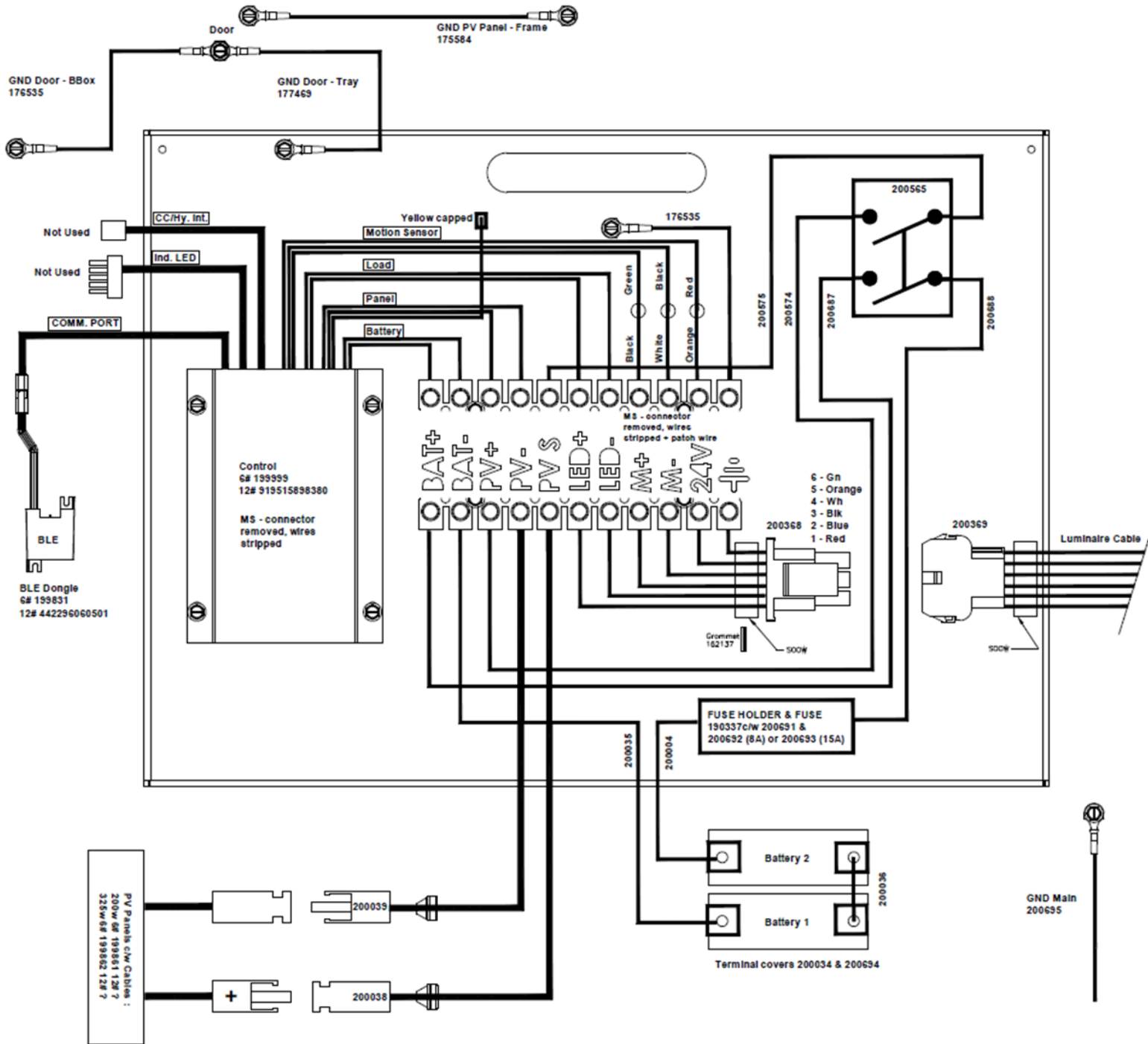
### Terrain:

The terrain within the detection area of the sensor affects the detection and coverage area. If the terrain slopes down away from the sensor, the detection within the depressed area will be reduced. If the terrain slopes up away from the sensor, the coverage area will be reduced in size.

**Moving objects** such as tree branches within the coverage area can produce false triggering of the sensor.

**Air vents** such as heat pumps and air conditioning units within or near the coverage area can produce false triggering of the sensor.

## Electrical diagram



**IMPORTANT: POUR VOTRE PROTECTION, VOUS DEVEZ LIRE ATTENTIVEMENT ET INTÉGRALEMENT TOUTS LES AVERTISSEMENTS ET TOUTES LES DIRECTIVES PRÉALABLEMENT À L'INSTALLATION, À L'UTILISATION, À L'ENTRETIEN OU À LA RÉPARATION DE L'APPAREIL. LE DÉFAUT D'OBSERVER L'EXIGENCE CI-DESSUS PEUT ENTRAÎNER DES BLESSURES, VOIR LA MORT, ET CAUSER DES DOMMAGES MATÉRIELS.** Si vous ne comprenez pas ces avertissements et directives, ou désirez des renseignements supplémentaires, veuillez communiquer avec Signify TSC@signify.com composez le 1-833-744-6439.



- L'installation, la réparation et l'entretien des luminaires doivent être effectués par un professionnel dûment qualifié et en conformité avec l'ensemble des lois, des règlements et des codes de l'électricité fédéraux, provinciaux et locaux. Ce professionnel doit être familiarisé avec la construction et l'utilisation de ce produit et avec tout danger connexe. Aucune personne non qualifiée ne doit tenter d'installer ou de réparer ce produit, ou d'en faire l'entretien.
- Afin de réduire les risques de décès, de blessure ou de dommages matériels causés par le feu, les décharges électriques, la chute de pièces, les coupures et frottements, et autres dangers, veuillez lire tous les avertissements et directives qui sont inclus avec le luminaire, sur son emballage et aussi apposés sur l'appareil lui-même.
- L'entretien des luminaires doit être effectué par des personnes qui sont familiarisées avec la construction et l'utilisation de l'appareil, ainsi qu'avec tous les dangers connexes.



#### AVERTISSEMENT

##### RISQUE D'INCENDIE, DE DÉCHARGE ÉLECTRIQUE OU DE BLESSURE

- Débranchez ou coupez le courant avant toute intervention d'installation, de réparation ou d'entretien.
- Assurez-vous que la tension d'alimentation est adéquate en vous référant aux renseignements sur l'étiquette du luminaire.
- Faites toutes les connexions électriques et de mise à la terre en conformité avec les exigences du Code national de l'électricité et de tout autre règlement, loi ou code qui s'applique.
- Toutes les connexions de câblage doivent être munies de capuchons de connexion homologués UL.



#### AVERTISSEMENT

##### RISQUE D'INCENDIE OU DE BLESSURE

- Gardez toute matière combustible éloignée de la DEL/lampe et de la lentille.
- N'utilisez pas cet appareil tout près d'une personne, d'une matière combustible ou d'une substance qui est sensible à la chaleur ou à la sécheresse.



#### AVERTISSEMENT

##### RISQUE DE BLESSURE

- Portez des gants et des lunettes de sécurité en tout temps pour retirer le luminaire de son carton d'emballage, l'installer, le réparer ou l'entretenir.
- Évitez toute exposition directe des yeux à la source d'éclairage pendant que l'appareil est allumé.



#### AVERTISSEMENT

##### RISQUE D'INCENDIE, DE DÉCHARGE ÉLECTRIQUE OU DE BLESSURE

- Laissez refroidir la DEL/lampe et la lentille avant toute manipulation.
- Ne touchez pas au boîtier ni à la source d'éclairage.
- Ne dépassez pas la puissance maximale indiquée sur l'étiquette du luminaire.
- Suivez tous les avertissements, les recommandations, les directives et les restrictions du fabricant pour ce qui est du type de régulateur, de la position d'allumage, des emplacements d'installation et du remplacement.



#### ATTENTION

##### RISQUE D'ENDOMMAGEMENT DU PRODUIT

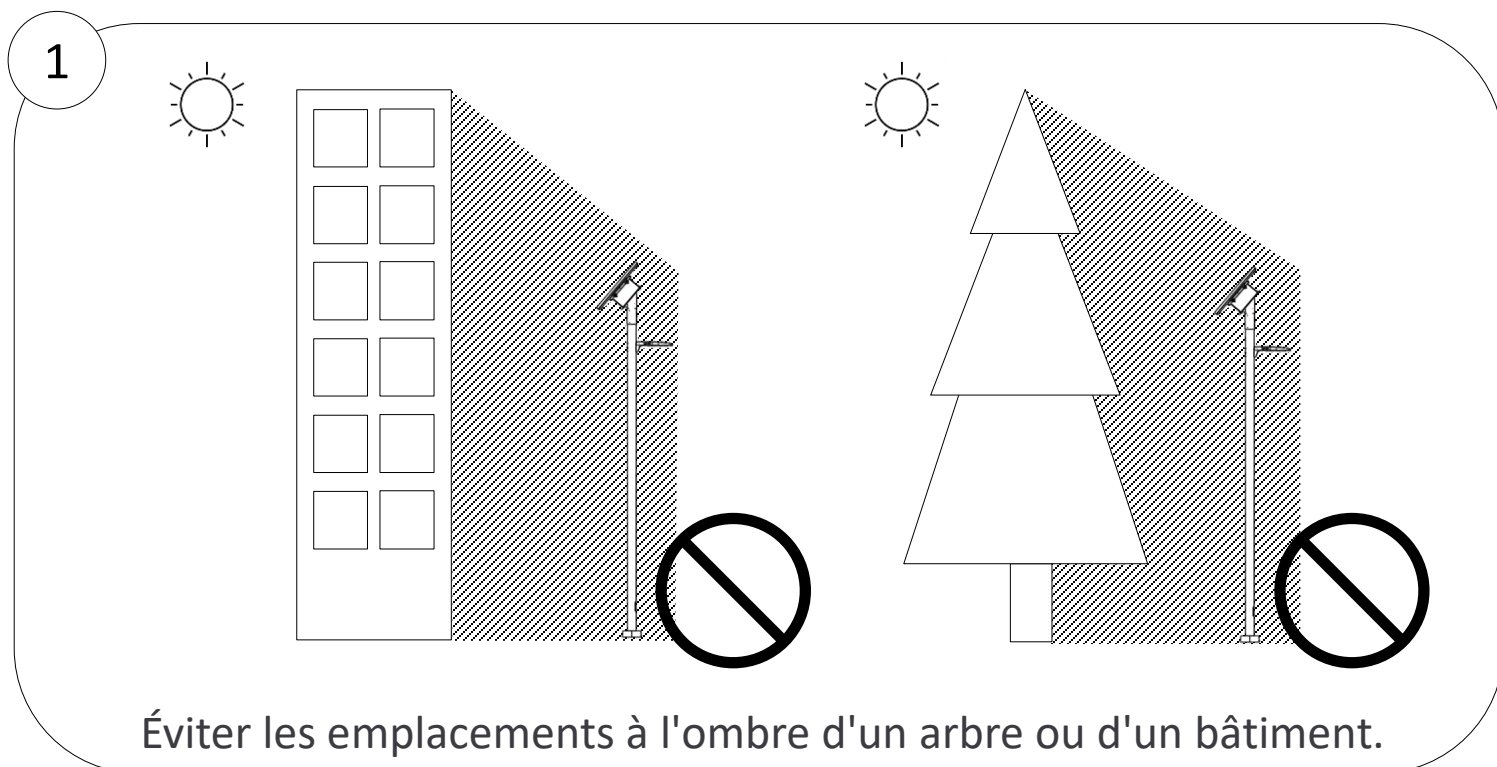
- Ne connectez jamais les luminaires et/ou leurs composants en charge quand la tension d'alimentation est activée.
- N'installez pas et ne supportez pas ces luminaires de façon que cela puisse couper la gaine extérieure ou endommager l'isolant des fils.
- Ne bloquez pas la ventilation autour de l'appareil. Prévoyez de l'espace libre autour du luminaire. Évitez de recouvrir le luminaire avec de l'isolant, de la mousse ou un autre matériau qui empêcherait de refroidir l'appareil par convection ou conduction.
- Veillez à ne pas dépasser la température ambiante maximale du luminaire.
- Ne modifiez pas le luminaire.
- N'utilisez le luminaire que selon l'application et l'emplacement prévus.
- Les produits de type DEL sont sensibles à la polarité. Veillez à la bonne polarité avant d'installer l'appareil.
- Les Décharges Electrostatiques (DES) peuvent endommager une DEL. Portez un équipement personnel de mise à la terre pendant toute intervention d'installation ou de réparation sur le luminaire.
- Ne touchez pas aux composants électriques individuels, étant donné que ceci peut causer une DES, raccourcir la durée de vie des DEL ou nuire à leur rendement.
- Certains composants internes du luminaire peuvent ne pas être réparables. Aussi peu probable que ça pourrait l'être, si votre luminaire a besoin de réparation, cessez de l'utiliser immédiatement et communiquez avec Signify TSC@signify.com composez le 1-833-744-6439.
- Lisez toujours les directives d'installation complètes du luminaire avant de l'installer afin de connaître tous ses avertissements spécifiques supplémentaires.
- Dans le cas des luminaires à lampe DHI ou fluorescente, il est nécessaire de remplacer les lampes régulièrement afin que l'appareil continue de fonctionner de façon sécuritaire
- **N'installez pas un produit endommagé.** La manipulation et l'installation de produits endommagés peuvent potentiellement augmenter les risques mentionnés. En cas de dommage ou de pièces manquantes sur réception du luminaire, veuillez communiquer avec Signify TSC@signify.com composez le 1-833-744-6439.
- Ces directives ne sont pas censées couvrir tous les détails ou variations de l'équipement ni prévoir toutes les éventualités possibles en rapport avec l'installation, l'utilisation ou l'entretien de l'appareil. Si des renseignements additionnels sont requis, ou si des problèmes particuliers surviennent qui ne sont pas couverts suffisamment aux fins prévues par l'acheteur ou le propriétaire, veuillez soumettre la question ou le problème à avec Signify TSC@signify.com composez le 1-833-744-6439.
- Veuillez consulter les directives d'installation et d'entretien spécifiques du luminaire afin d'obtenir des avertissements supplémentaires et d'y lire tout énoncé réglementaire ou de la FCC qui s'applique. Tout défaut de respecter l'une quelconque de ces directives pourrait annuler les garanties des luminaires.

#### Entretien du luminaire

- Il est recommandé d'appliquer des programmes d'entretien régulier des luminaires.
- Il est recommandé de nettoyer l'extérieur du luminaire ainsi que son réflecteur/sa lentille.
- La fréquence du nettoyage dépend du degré de saleté ambiante et du rendement lumineux minimal jugé acceptable par l'utilisateur.
- Si l'utilisation d'eau propre n'est pas suffisante pour le nettoyage, utilisez une substance nettoyante neutre, synthétique, non rayante et non abrasive.
- N'utilisez jamais de substances nettoyantes alcalines et/ou acéteuses.
- Veillez à ce que la substance nettoyante soit éliminée à fond en rinçant la surface à grande eau propre.
- Signify recommande d'utiliser une solution de nettoyage au pH entre 5 et 8.
- Recyclez : Pour obtenir des renseignements sur la façon de recycler les produits et les composants électroniques, veuillez visiter [www.epa.gov](http://www.epa.gov) ou <http://epra.ca/>.

## Bonnes pratiques d'installation

1. Pendant la journée, la lumière du soleil doit briller directement sur le panneau photovoltaïque sans ombre ni obstruction, sinon elle ne fonctionnera pas pour la charge et nuira à la durée de vie de la batterie.



2. La première installation doit éviter de décharger profondément la batterie, en l'installant pendant la journée ou en la rechargeant avant l'installation, ou en éteignant le luminaire pendant la première nuit.
3. Protéger tous les connecteurs pendant l'installation à l'abri du sable et des impuretés potentielles dans un environnement de terre, de désert, de sol et de boue. Les connecteurs ne peuvent pas être réparés lorsque le couvercle est endommagé sur le site, ils doivent être remplacés.
4. N'utilisez aucun type de solvant pour le nettoyage et veillez à ne pas exercer une pression trop forte sur le panneau pendant le nettoyage.

## Assemblage du boîtier et du panneau solaire

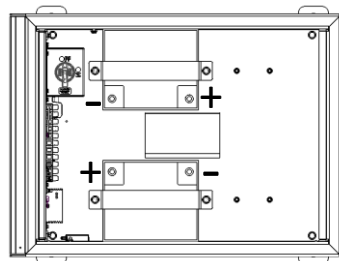
**ATTENTION :** Veuillez manipuler les piles avec précaution pour éviter de les endommager. (poignées sur certains modèles)

1. Avant de commencer l'assemblage du boîtier à batteries, prévoyez une surface de travail appropriée pour poser le boîtier à batteries à plat. Exemple : utiliser deux chevalets.
2. Après avoir posé le boîtier à plat et de manière stable, ouvrez la porte et sécurisez-la avec le bras de sécurité. **Assurez-vous que l'interrupteur principal est sur "OFF" avant de commencer l'assemblage.**
3. Positionnez les batteries comme indiqué ci-dessous et fixez-les à l'aide des supports et du matériel fournis (4) boulons en acier inoxydable 1/4-20 X 1,5", (4) rondelles de blocage, (4) rondelles plates **Couple recommandé : 3.2 ft-lbs.**

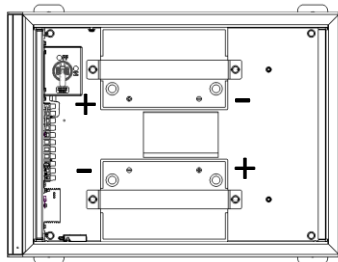


**ATTENTION** Évitez les dommages causés par un couple excessif  
Ne pas trop serrer les écrous et les boulons

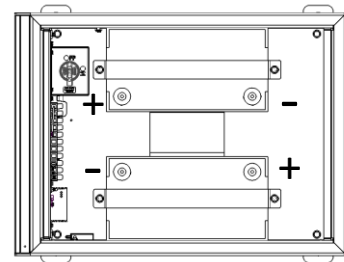
40Ah



70Ah



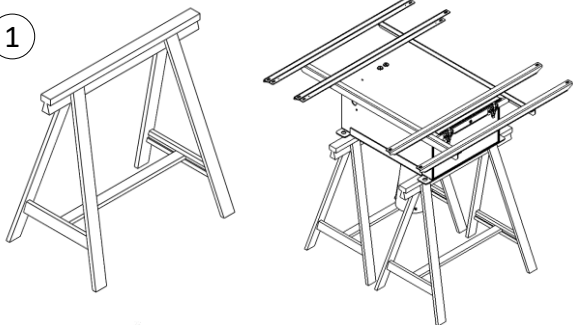
100Ah



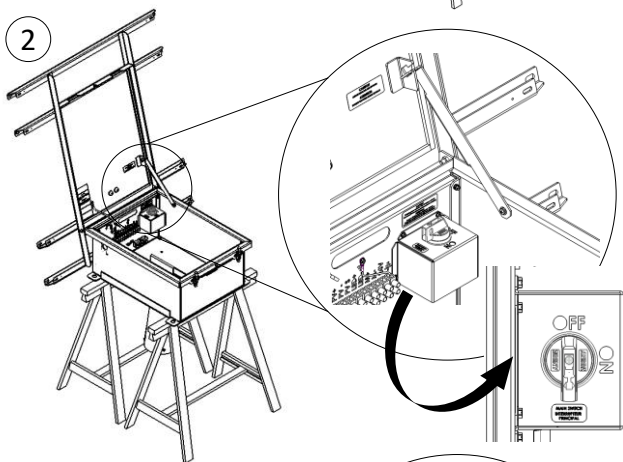
**REMARQUE :** Il est important de placer les batteries de manière à ce que les pôles se fassent face.

4. Conformément au schéma électrique, connectez les câbles de la batterie aux bornes M6 de la batterie (positif/négatif) avec (2) boulons M6, rondelles de blocage et rondelles. **Couple de serrage recommandé : 3,2 ft-lbs.** Une fois les câbles connectés, assurez-vous que les (2) couvercles des bornes positives protègent les bornes pour éviter les courts-circuits.

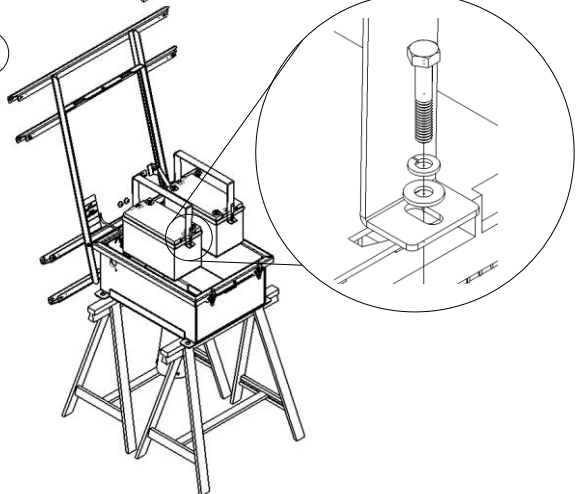
1



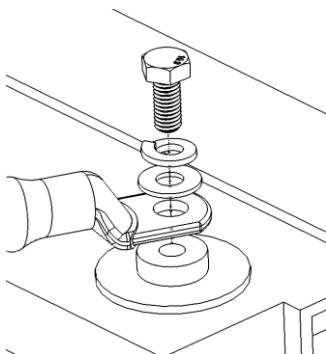
2



3



4

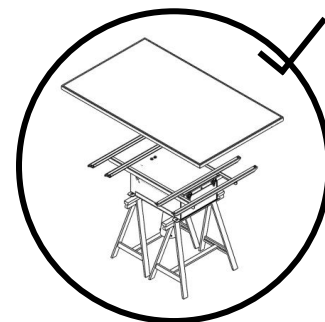
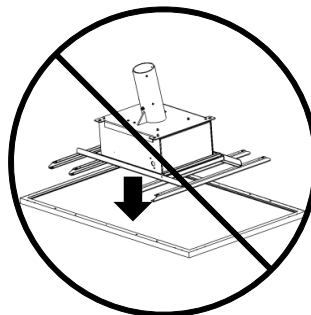




**REMARQUE :** Retirez le film de protection du cadre du panneau solaire avant l'installation.

**IMPORTANT :** Le panneau solaire est fragile. Ne jamais installer le panneau solaire sur le sol à l'envers, cela pourrait l'endommager. Manipulez toujours le panneau solaire avec précaution.

**ATTENTION :** N'essayez pas d'installer le système solaire dans des conditions venteuses.



5. Fermez le couvercle du boîtier de la batterie à l'aide des 2 loquets.

6. Connectez les câbles (mâle et femelle) du panneau solaire aux connecteurs (mâle et femelle) du boîtier de batterie tout en plaçant le panneau sur le couvercle du boîtier de batterie.

7. Fixez l'excédent de câble au cadre du panneau solaire à l'aide d'un serre-câble en nylon.

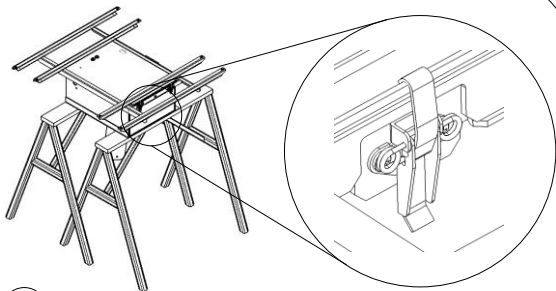
8. Sécurisez le panneau solaire au cadre à l'aide de boulons de carrosserie en acier inoxydable 1/4-20 X 5/8", de rondelles et de contre-écrous en nylon en acier inoxydable. **Couple de serrage recommandé : 6,25 ft-lbs.**

**IMPORTANT :** Réduisez la vitesse de l'outil électrique lors du serrage des écrous avec insertion en nylon en acier inoxydable afin de réduire la friction et d'éviter le grippage du filetage sur le boulon en acier inoxydable.

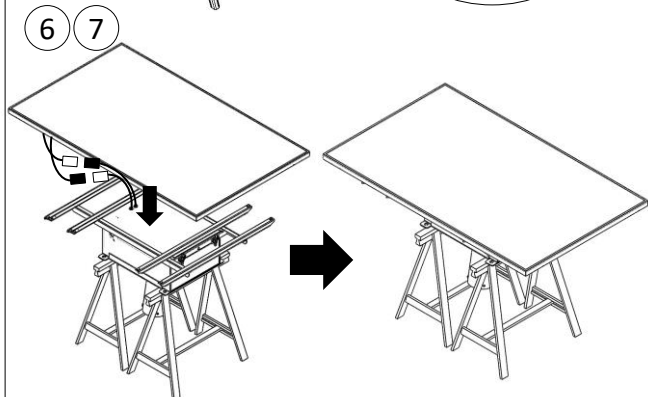
9. Fixez le fil de mise à la terre du panneau solaire en vissant la vis auto taraudeuse #8X1/2" sur la borne du fil de mise à la terre dans le trou du cadre du panneau solaire.

10. Sécurisez les (2) protecteurs de panneaux solaires au cadre à l'aide de (4) boulons de carrosserie en acier inoxydable 1/4-20 X 5/8", de rondelles et de contre-écrous en nylon en acier inoxydable. **Couple de serrage recommandé : 6,25 ft-lbs.**

5

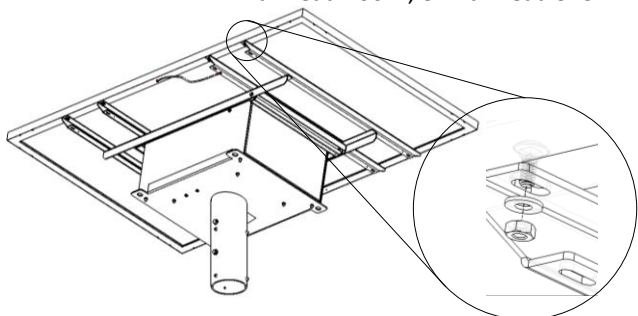


6 7

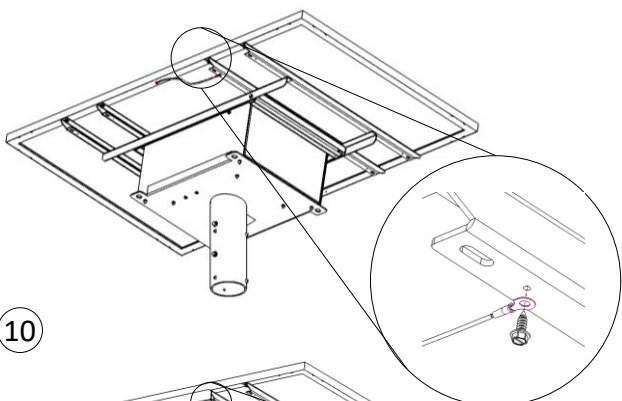


8

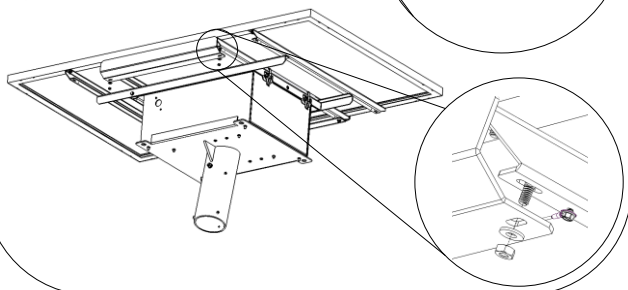
4X Panneau 200W, 8X Panneau 325W



9



10





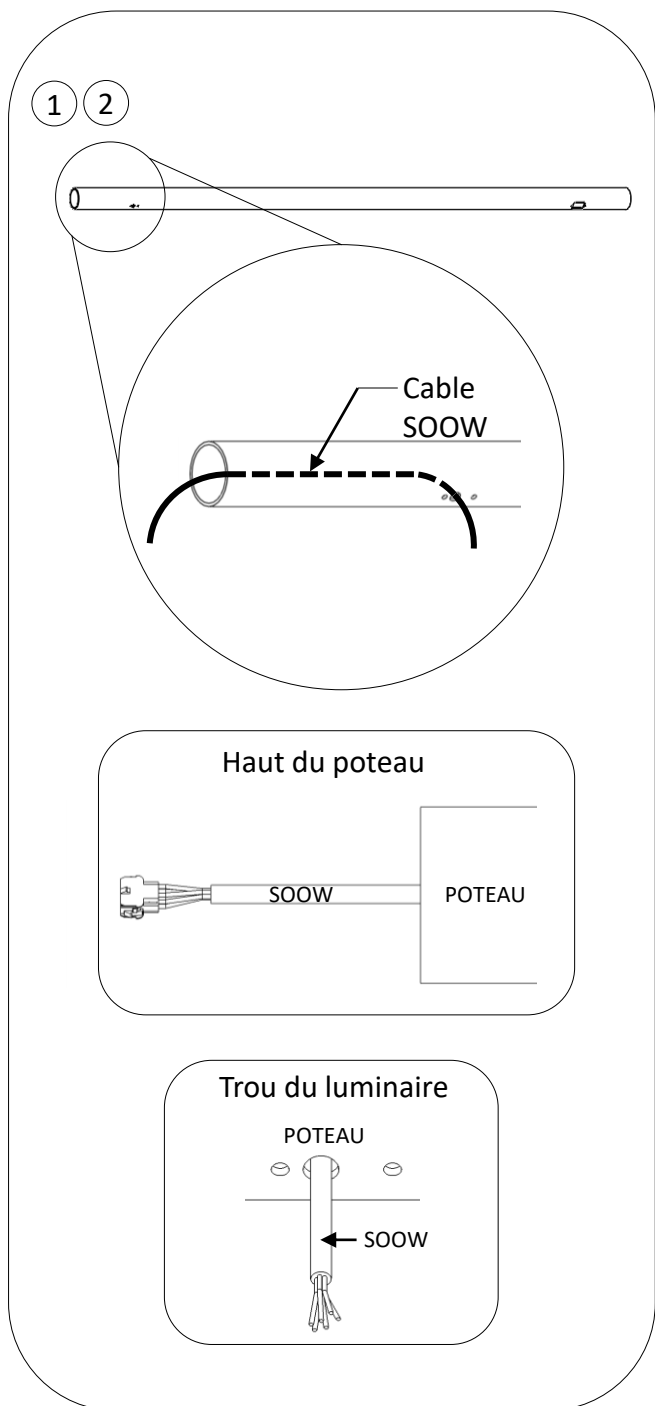
## Assemblage du poteau

1. Posez le poteau à plat sur le sol sans l'endommager.
2. Faites passer le câble SOOW par le haut du poteau et faites-le sortir par le trou prévu à cet effet sur le poteau.

**IMPORTANT** : N'installez pas le bras et/ou le luminaire avant de soulever le poteau pour le mettre en place. Cela pourrait endommager le bras/luminaire et pourrait également être dangereux pour l'utilisateur.

3. Consultez les instructions d'installation fournies avec le poteau.

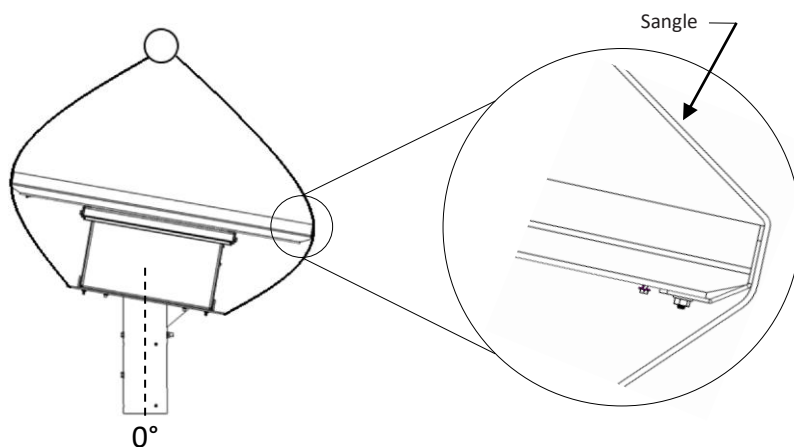
4. Installez soigneusement le poteau sur les boulons de fondation. Vissez les écrous pour que le tout soit bien ajusté.



## Installation de systèmes solaires

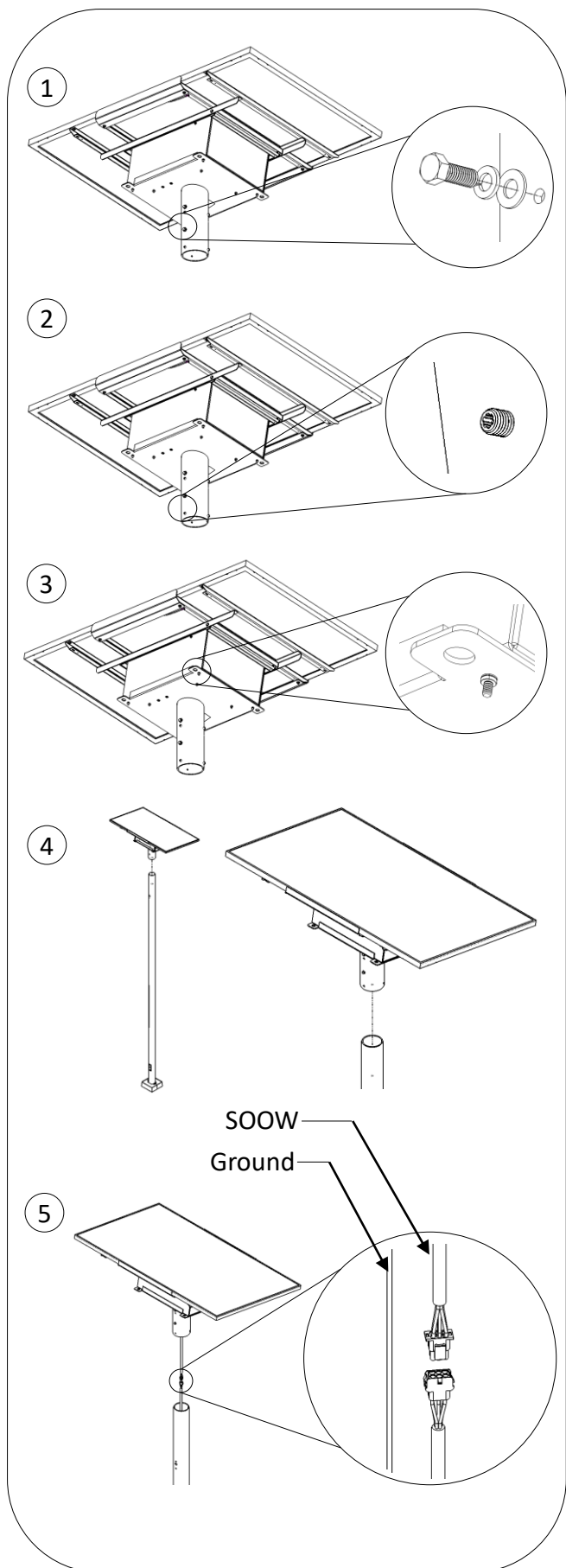
1. Retirez le boulon de blocage 3/8X 1", la rondelle de blocage et la rondelle plate afin d'installer le tenon du système solaire sur le poteau.
2. Desserrez les vis de pression (6) 3/8-16, 1/2", pour installer le tenon du système solaire sur le poteau.
3. Avec l'équipement approprié, fixez des sangles de levage aux (4) œillets prévus à cet effet.

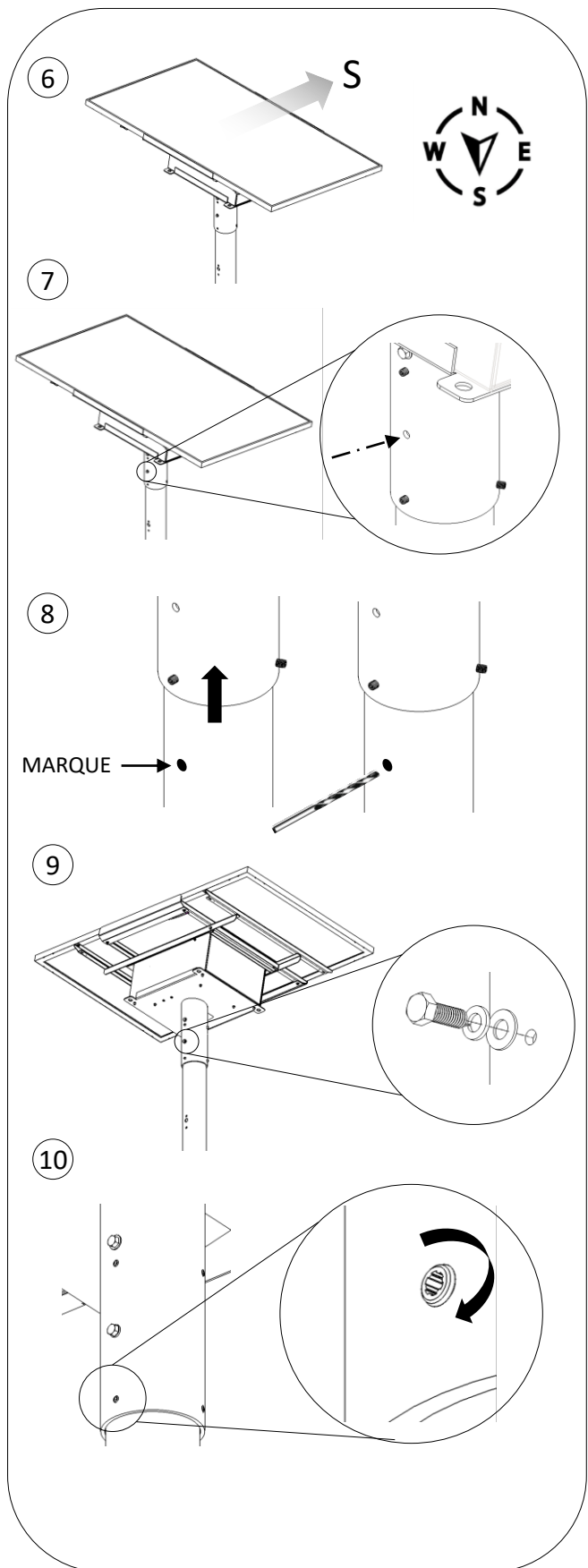
**IMPORTANT :** Réglez toujours les sangles de manière à ce que le tenon reste vertical lorsque vous le soulevez afin de simplifier l'installation sur le poteau. Assurez-vous que les sangles reposent sur les protections des panneaux solaires de chaque côté.



**IMPORTANT :** Sécurisez le système avec un fil de guidage afin de manipuler le système solaire en toute sécurité et de réduire les risques de balancement.

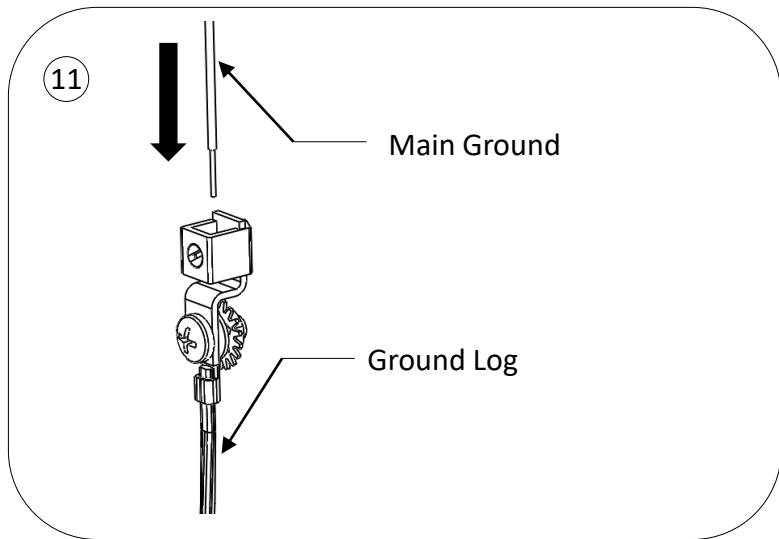
4. Soulevez le système solaire au-dessus du poteau sans endommager le panneau solaire.
5. Alignez le système solaire sur le poteau et placez-le en douceur sur le poteau tout en effectuant la connexion du câble SOOW et en laissant le fil de mise à la terre descendre jusqu'à la base du poteau.





6. À l'aide d'une boussole, orientez la face du panneau solaire vers le sud.
7. Une fois le système aligné dans l'orientation souhaitée, faites une marque sur le poteau à l'emplacement du boulon de verrouillage.
8. Soulevez légèrement le système solaire pour dégager la marque et percez un trou de 1/2" à la marque.
9. Installez le système solaire sur le poteau et fixez-le avec le boulon de blocage 3/8-16, 1", la rondelle de blocage et la rondelle. Serrez le boulon au couple spécifié : **11,6 ft-lbs.**
10. Serrez les vis de pression (6) 3/8-16, 1/2" au couple spécifié : **18 ft-lbs.**
11. Connectez le fils de la mise à la terre principale à la cosse de la mise à la terre à la base du poteau.
12. L'entrepreneur doit fournir et installer une tige de mise à la terre conformément à l'article 250.52 (A)(5) du code électrique national (NEC) ou à l'agence locale de réglementation des applications. Ensuite, compléter la connexion entre la tige et la cosse de terre.

**ATTENTION :** Ne mettez jamais le produit sous tension sans vous assurer qu'il est bien mis à la terre.

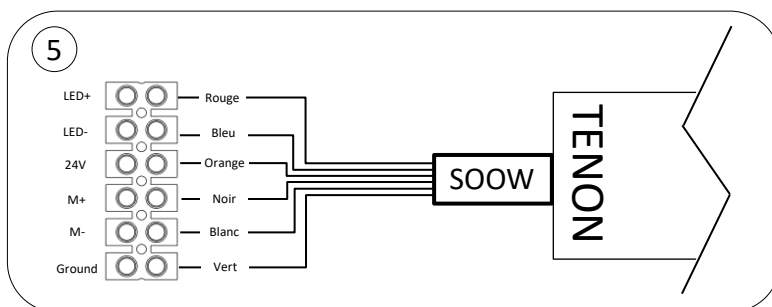
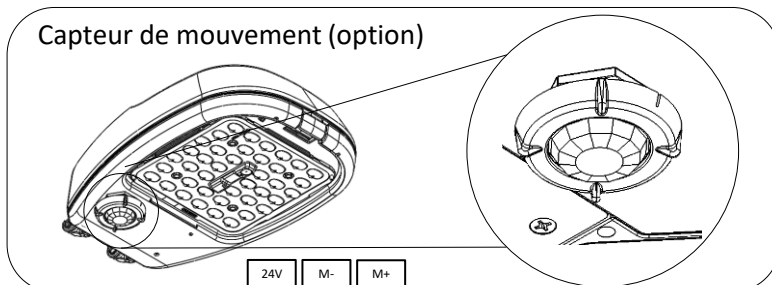


## Installation du luminaire RPS-SOL

1. Installez le bras sur le poteau en y faisant passer le câble SOOW. Fixez le bras avec des boulons (2) 3/8-16", des rondelles de blocage et des rondelles. Serrez les boulons au couple spécifié : **18 ft-lbs.**

**ATTENTION:** COUPER L'ALIMENTATION ÉLECTRIQUE PENDANT TOUS LES TRAVAUX D'INSTALLATION OU D'ENTRETIEN FAUTE DE SUIVRE LA DOCUMENTATION D'INSTALLATION OU L'UTILISATION DE CE PRODUIT AUTRE QUE POUR SON USAGE PRÉVU ENTRAÎNERA L'ANNULATION DE LA GARANTIE.

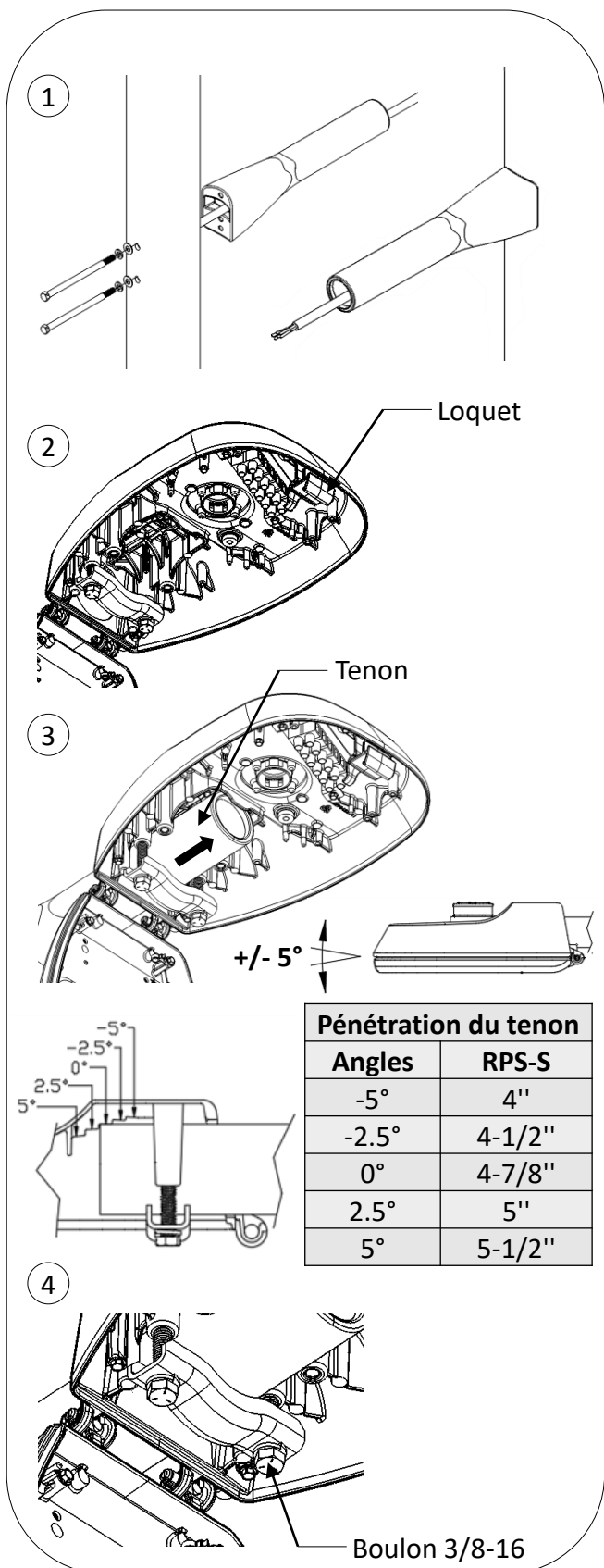
2. Tirez le loquet pour libérer la porte d'accès.
3. Faites glisser le luminaire sur le tenon. Voir le tableau pour la pénétration approximative. L'angle horizontal peut être réglé par pas de 2,5°.
4. Serrez uniformément tous les boulons 3/8-16 du collier. Serrez les boulons à **11,25 ft-lbs.** Le nombre de boulons peut varier en fonction de la taille de l'appareil.
5. Connectez les fils au bloc de jonction. Serrez les vis de réglage entre **1,7 et 2 ft-lbs.**
6. Fermez la porte d'accès du luminaire une fois les connexions terminées.

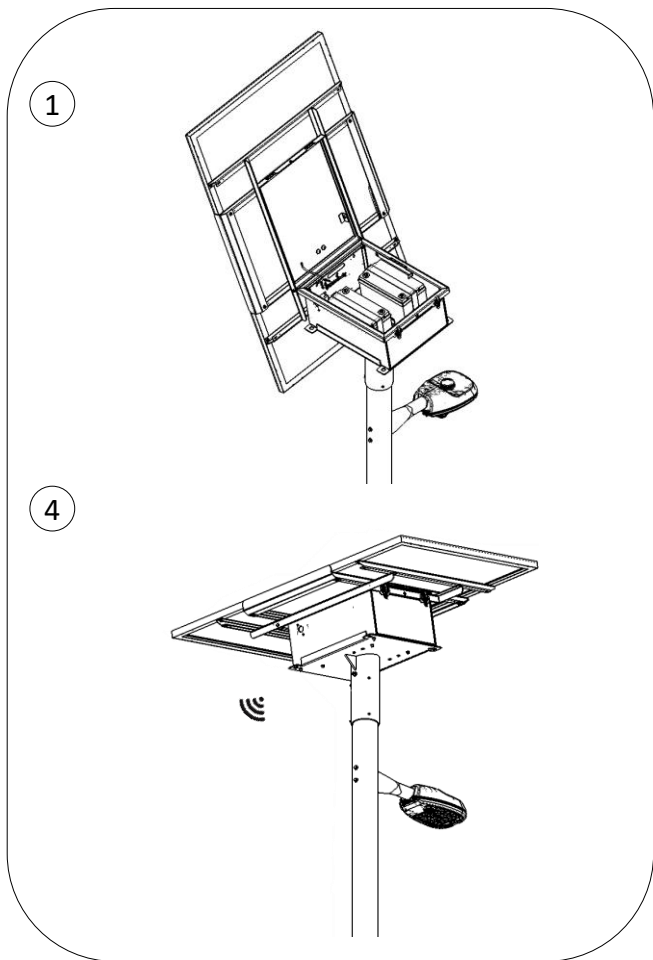


### FCC Part 15 Class A Products FCC Markings

REMARQUE : Cet équipement a été testé et déclaré conforme aux limites d'un appareil numérique de classe A, conformément à la partie 15 des règles de la FCC. Ces limites sont conçues pour fournir une protection raisonnable contre les interférences nuisibles lorsque l'équipement est utilisé dans un environnement commercial. Cet équipement génère, utilise et peut émettre de l'énergie de fréquence radio et, s'il n'est pas installé et utilisé conformément au manuel d'instructions, peut causer des interférences nuisibles aux communications radio. L'utilisation de cet équipement dans une zone résidentielle est susceptible de provoquer des interférences nuisibles, auquel cas l'utilisateur devra corriger ces interférences à ses propres frais.

**CAN ICES-005 (A) / NMB-005 (A)**





### Alimentation électrique du système

1. Ouvrez la porte et sécurisez-la avec le bras de sécurité.
2. Mettez l'interrupteur sur "ON" pour alimenter le système.
3. Vérifiez que le système est opérationnel et que le luminaire s'allume.
4. Une fois au sol, vérifiez la connectivité au BLE et validez les configurations à l'aide de l'application sur votre smartphone.

### Informations sur le capteur de mouvement

#### Installation:

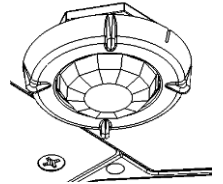
Lorsqu'il est inclus, le capteur optionnel est fourni pré-câblé et installé dans le luminaire.

#### Réglages et ajustements :

Il n'y a pas de réglages ou d'ajustements à faire.

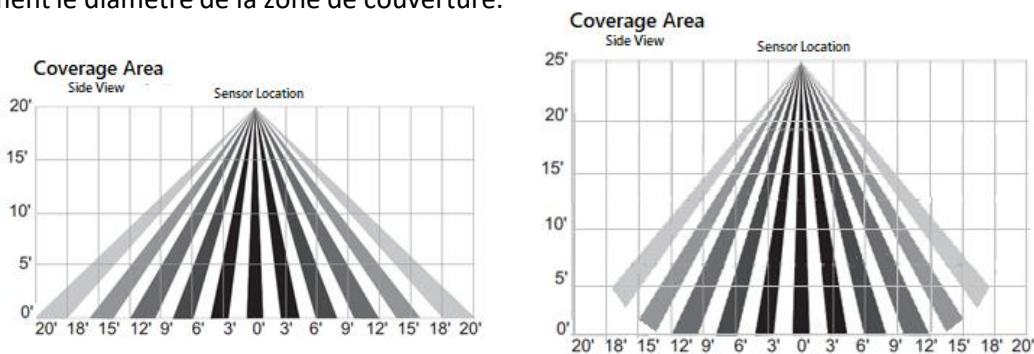
#### Température ambiante :

La température de l'air ambiant dans la zone de couverture affecte la détection du capteur (sensibilité à la détection de mouvement). Les températures de l'air chaud (supérieures à 89°F) réduisent la détection du capteur et peuvent nécessiter un mouvement plus important pour être détectées. Les températures de l'air froid (inférieures à 39° F) augmentent la détection du capteur.



#### Hauteur du capteur de mouvement:

Les capteurs montés au-dessus de 20 à 25 pieds auront une détection réduite au périmètre de la zone de couverture. L'élévation du capteur réduit le diamètre de la zone de couverture. Le montage du capteur à une hauteur inférieure à 20 pieds réduit également le diamètre de la zone de couverture.



#### Terrain:

Le terrain situé dans la zone de détection du capteur affecte la zone de détection et de couverture. Si le terrain descend en s'éloignant du capteur, la détection à l'intérieur de la zone inclinée sera réduite. Si le terrain s'élève en s'éloignant du capteur, la zone de couverture sera réduite.

**Les objets en mouvement**, tels que les branches d'arbres dans la zone de couverture, peuvent provoquer un faux déclenchement du capteur.

**Les bouches d'aération**, telles que les pompes à chaleur et les climatiseurs situés à l'intérieur ou à proximité de la zone de couverture peuvent fausser le déclenchement du capteur.

## Schéma électrique

