



Lumec **L40U** LED post top luminaire create a warm and friendly ambiance with its design while at the same time offering high-end technology and photometric performance. Evoking a distinguished touch of yesteryear, the **L40U** LED post top lantern delivers an encompassing light that is warm and safe. The blend of form and function makes this luminaire an excellent choice for any environment.

Project: \_\_\_\_\_  
 Location: \_\_\_\_\_  
 Cat.No: \_\_\_\_\_  
 Type: \_\_\_\_\_  
 Lamps: \_\_\_\_\_ Qty: \_\_\_\_\_  
 Notes: \_\_\_\_\_

### Ordering guide

example: L40U-72W32LED4K-G3-ACDR-C-LE3-120-DMG-SFR-RC-HS-GN8TX

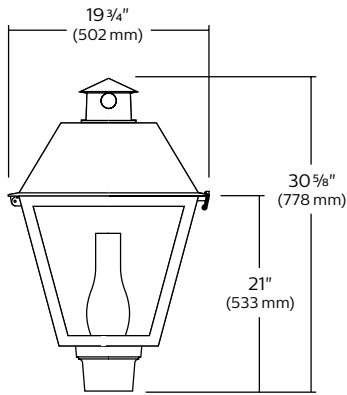
Series	LED module	Gen.	Globe material	Globe finish	Optical system	Voltage	Driver options	Adapter	Luminaire options	Poles / Brackets	Finish
<b>L40U</b>		<b>G3</b>		<b>C</b>				<b>SFR</b>	<b>RC</b>		
<b>L40U</b>	<b>3000K</b> 35W32LED3K 55W32LED3K 55W48LED3K 72W32LED3K 80W48LED3K 108W48LED3K  <b>4000K</b> 35W32LED4K 55W32LED4K 55W48LED4K 72W32LED4K 80W48LED4K 108W48LED4K	G3 Gen 3	ACDR Acrylic Globe  PC Poly- carbonate	C Clear Globe	LE2 Type II (ASYM) LE3 Type III (ASYM) LE4 Type IV (ASYM) LE5 <sup>1</sup> Type V (SYM)	120 208 240 277 347 480	AST <sup>2</sup> Pre-set driver for progressive start-up CDMGE25 <sup>2</sup> (2) 8 hrs. 25% reduction CDMGE50 <sup>2</sup> (2) 8 hrs. 50% reduction CDMGE75 <sup>2</sup> (2) 8 hrs. 75% reduction CDMGM25 <sup>2</sup> (2) 6 hrs. 25% reduction CDMGM50 <sup>2</sup> (2) 6 hrs. 50% reduction CDMGM75 <sup>2</sup> (2) 6 hrs. 75% reduction CDMGS25 <sup>2</sup> (2) 4 hrs. 25% reduction CDMGS50 <sup>2</sup> (2) 4 hrs. 50% reduction CDMGS75 <sup>2</sup> (2) 4 hrs. 75% reduction DMG 0-10V CLO <sup>2</sup> Pre-set driver to manage lumen depreciation OTL <sup>2</sup> Pre-set driver to signal end of life of the lamp SRD <sup>2</sup> Sensor ready driver (standard configuration) SRD1 <sup>2</sup> Sensor ready driver (alternate configuration)	SFR L40U	CHM Etched Glass Chimney HS House Side Shield RC <sup>3,4,5</sup> Receptacle 3-pins  PH8 <sup>5</sup> Photoelectric cell PH9 <sup>5</sup> Shorting Cap PHXL <sup>5</sup> Photoelectric cell, extended life RCD7 <sup>6</sup> Receptacle 7-pin SP2 20kV/20kA surge protector TN2.875C 2 7/8" dia. Tenon adaptor TN3 3" dia. Tenon adaptor TN3.5 3 1/2" dia. Tenon adaptor WC Without Cupola	Consult with signify.com/ outdoorluminaires for details and the complete line of Signify poles and brackets.	<b>Textured</b>  BE2TX Midnight Blue BE6TX Ocean Blue BE8TX Royal Blue BG2TX Sandstone BKTX Black BRTX Bronze GN4TX Blue Green GN6TX Forest Green GN8TX Dark Forest Green GNTX Green GY3TX Medium Grey RD2TX Burgundy RD4TX Scarlet WHTX White  <b>Other</b> GR Gray Sandtex NP Natural Aluminum TG Hammertone Gold

1. Not available with HS option.  
 2. Not available 347-480 volt.  
 3. Use of photoelectric cell or shorting cap is required to ensure proper illumination.  
 4. L40U always ships with an RC Receptacle.  
 5. Not available with RCD7.  
 6. The RCD7 is located on top of the roof in place of the finial for use with a control node.  
 Note: If DALI or 5 or 7 pin receptacle is required contact factory.

# L40U L40 LED Post Top

## Urban Luminaire

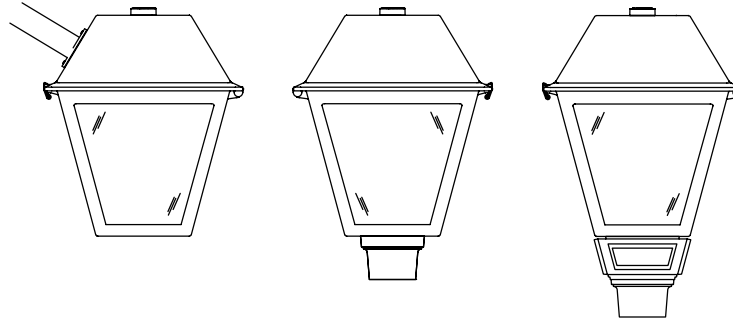
### Dimensions



### L40U

EPA: 2.74 sq ft  
Weight: 50 lbs (22.7 kg)

Shown with RXD7  
on top of the roof



### LED Wattage and Lumen Values: for L40U

Ordering Code:	Total LEDs	System current (mA)	Average System Watts <sup>1</sup> (W)	LE2			LE3			LE2W			LE4		
				Lumen Output <sup>2</sup>	BUG Rating	Efficacy (LPW)	Lumen Output <sup>2</sup>	BUG Rating	Efficacy (LPW)	Lumen Output <sup>2</sup>	BUG Rating	Efficacy (LPW)	Lumen Output <sup>2</sup>	BUG Rating	Efficacy (LPW)
<b>Clear Globe 3000K</b>															
35W32LED3K-G3-C-x	32	350	37	4207	B1-U2-G1	114	4192	B1-U2-G1	113	3976	B1-U2-G1	107	4005	B3-U3-G1	108
55W32LED3K-G3-C-x	32	530	54	6035	B1-U3-G1	112	6013	B1-U3-G2	111	5704	B1-U3-G2	106	5745	B3-U3-G1	106
72W32LED3K-G3-C-x	32	700	73	7611	B2-U3-G2	104	7583	B1-U3-G2	104	7193	B1-U3-G2	99	7245	B3-U3-G2	99
55W48LED3K-G3-C-x	48	350	55	6311	B1-U3-G1	115	6287	B1-U3-G2	114	5964	B1-U3-G2	108	6007	B3-U3-G1	109
80W48LED3K-G3-C-x	48	530	81	9053	B2-U3-G2	112	9020	B2-U3-G2	112	8556	B1-U3-G2	106	8616	B3-U3-G2	107
108W48LED3K-G3-C-x	48	700	106	11417	B2-U3-G2	108	11375	B2-U3-G2	107	10790	B2-U3-G2	102	10867	B4-U3-G2	103
<b>Clear Globe 4000K</b>															
35W32LED4K-G3-C-x	32	350	37	4670	B1-U2-G1	126	4653	B1-U2-G1	126	4414	B1-U3-G1	119	4445	B3-U3-G1	120
55W32LED4K-G3-C-x	32	530	54	6699	B1-U3-G1	124	6674	B1-U3-G2	124	6331	B1-U3-G2	117	6376	B3-U3-G1	118
72W32LED4K-G3-C-x	32	700	73	8449	B2-U3-G2	116	8417	B2-U3-G2	115	7985	B1-U3-G2	109	8042	B3-U3-G2	110
55W48LED4K-G3-C-x	48	350	55	7006	B2-U3-G2	127	6980	B1-U3-G2	127	6621	B1-U3-G2	120	6668	B3-U3-G2	121
80W48LED4K-G3-C-x	48	530	81	10049	B2-U3-G2	125	10011	B2-U3-G2	124	9497	B2-U3-G2	118	9565	B4-U3-G2	119
108W48LED4K-G3-C-x	48	700	106	12672	B2-U3-G2	120	12626	B2-U3-G2	119	11977	B2-U3-G2	113	12063	B4-U3-G2	114
<b>Clear Satin Globe 3000K</b>															
35W32LED3K-G3-CS-x	32	350	37	3861	B1-U3-G1	104	3911	B1-U3-G1	106	3755	B1-U3-G1	101	4045	B3-U3-G1	109
55W32LED3K-G3-CS-x	32	530	54	5537	B1-U3-G2	103	5611	B1-U3-G2	104	5385	B1-U3-G2	100	5802	B3-U3-G2	107
72W32LED3K-G3-CS-x	32	700	73	6983	B2-U3-G2	96	7075	B2-U3-G2	97	6792	B1-U3-G2	93	7318	B3-U3-G2	100
55W48LED3K-G3-CS-x	48	350	55	5790	B1-U3-G2	105	5867	B1-U3-G2	106	5632	B1-U3-G2	102	6068	B3-U3-G2	110
80W48LED3K-G3-CS-x	48	530	81	8305	B2-U3-G2	103	8415	B2-U3-G2	104	8079	B2-U3-G2	100	8703	B3-U3-G2	108
108W48LED3K-G3-CS-x	48	700	106	10475	B2-U3-G2	99	10613	B2-U3-G3	100	10188	B2-U3-G3	96	10976	B4-U3-G3	104
<b>Clear Satin Globe 4000K</b>															
35W32LED4K-G3-CS-x	32	350	37	4285	B1-U3-G1	116	4341	B1-U3-G2	117	4168	B1-U3-G2	113	4490	B3-U3-G2	121
55W32LED4K-G3-CS-x	32	530	54	6146	B1-U3-G2	114	6227	B1-U3-G2	115	5978	B1-U3-G2	111	6440	B3-U3-G2	119
72W32LED4K-G3-CS-x	32	700	73	7752	B2-U3-G2	106	7854	B2-U3-G2	108	7539	B1-U3-G2	103	8123	B3-U3-G2	111
55W48LED4K-G3-CS-x	48	350	55	6427	B2-U3-G2	117	6512	B1-U3-G2	118	6251	B1-U3-G2	113	6735	B3-U3-G2	122
80W48LED4K-G3-CS-x	48	530	81	9219	B2-U3-G2	114	9341	B2-U3-G3	116	8967	B2-U3-G3	111	9661	B3-U3-G3	120
108W48LED4K-G3-CS-x	48	700	106	11627	B2-U3-G3	110	11781	B2-U3-G3	111	11309	B2-U3-G3	107	12184	B4-U3-G3	115

Actual performance may vary due to installation variables including optics, mounting/ceiling height, dirt depreciation, light loss factor, etc.; highly recommended to confirm performance with a layout - contact Applications at outdoorlightingapplications@signify.com.

Note: Some data may be scaled based on tests of similar. But not identical luminaires.

# L40U L40 LED Post Top

## Urban Luminaire

### Specifications

#### Housing

**Cupola:** Decorative cast 356 aluminum photocell housing, c/w a window, mechanically mounted on hood.

**Hood:** In a square tapered shape, the hood is made of a one-piece die cast injection molded A360 aluminium. Mechanically assembled to the guard.

**Guard:** In a square tapered shape, the guard is made of one-piece die cast injection molded A360 aluminium.

#### Access-mechanism

Two integrated hinges on the hood with a stopper and a latch shall offer a tool-free access to the inside of the luminaire. An embedded memory-retentive gasket shall ensure weatherproofing.

#### Light engine

**LEDgine composed of 5 main components:** Heat Sink / Lens / LED lamp / Driver / Optical System. Electrical components are RoHS compliant.

#### LED engine

Composed of high-performance white LEDs. Color temperature as per ANSI/NEMA bin Neutral White, 4000 Kelvin nominal (3985K +/- 275K or 3710K to 4260K) or Warm white, 3000 Kelvin nominal (3045K +/- 175K or 2870K to 3220K), CRI 70 Min. 75 Typical.

#### Globe/Panels

**ACDR-C:** Made of one-piece seamless injection-molded clear impact-resistant (DR) acrylic. The globe is assembled on the access-mechanism.

**PC-C:** Made of one-piece seamless injection-molded clear polycarbonate. The globe is assembled on the access-mechanism.

#### Heat sink

Made of cast aluminum optimizing the LEDs efficiency and life. Product does not use any cooling device with moving parts (only passive cooling device).

#### Optical system

Composed of high performance optical grade PMMA acrylic refractor lenses to achieve desired distribution optimized to get maximum spacing, target lumens and a superior lighting uniformity. Optical system is rated IP66. Performance shall be tested per LM 63, LM 79 and TM 15 (IESNA) certifying its photometric performance. Street side indicated.

**LE2** - Type II (ASYM)    **LE3** - Type III (ASYM)  
**LE4** - Type IV (ASYM)    **LE5** - Type V (SYMM)

#### Driver

Driver comes standard with dimming compatible 0-10V. High power factor of 90% minimum. Electronic driver, operating range 50/60 Hz. Auto adjusting universal voltage input from 120 to 277 or 347 to 480 VAC rated for both application line to line or line to neutral, Class I, THD of 20% max. Maximum ambient operating temperature from 40°F (40°C) to 130°F (55°C).

Certified in compliance to UL1310 cULus requirement. Dry and damp location. Assembled on a unitized removable tray with Tyco quick disconnect plug resisting to 221°F (105°C). The current supplying the LEDs will be reduced by the driver if the driver experiences internal overheating as a protection to the LEDs and the electrical components. Output is protected from short circuits, voltage overload and current overload. Automatic recovery after correction. Standard built in driver surge protection of 2.5kV (min).

#### Driver options

**AST:** Pre-set driver for progressive start-up of the LED module(s) to optimize energy management and enhance visual comfort at start-up.

**CLO:** Pre-set driver to manage the lumen depreciation by adjusting the power given to the LEDs offering the same lighting intensity during the entire lifespan of the LED module.

**OTL:** Pre-set driver to signal end of life of the LED module(s) for better fixture management.

**DMG:** Dimmable driver 0-10V.

**CDMG:** Dynadimmer standard dimming functionalities including pre-programmed scenarios to suit many applications and needs from safety to maximum energy savings.

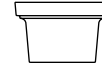
\* Contact factory for DALI options.

Order Code	Dimming		
	Scenario	Duration	Level
CDMG525	Safety	4 hours	25%
CDMG550	Safety	4 hours	50%
CDMG575	Safety	4 hours	75%
CDMGM25	Median	6 hours	25%
CDMGM50	Median	6 hours	50%
CDMGM75	Median	6 hours	75%
CDMGE25	Economy	8 hours	25%
CDMGE50	Economy	8 hours	50%
CDMGE75	Economy	8 hours	75%

**SRD:** Sensor Ready Driver including SR communication (used for dimming and other functionalities), 24V auxiliary supply and a logical signal input (LSI) connected to the top NEMA twist lock receptacle.

**SRD1:** Sensor Ready Driver including SR communication (used for dimming and other functionalities) but with 24V auxiliary supply and a logical signal input (LSI) not connected to the top NEMA twist lock.

#### Fitter



#### L40U uses the SFR

Cast 356 aluminum c/w 4 set screws 3/8-16 UNC. Slip-fits on a 4" (102mm) outside diameter by 4" (102mm) long tenon.

#### Surge protector

Surge protector tested in accordance with ANSI/IEEE C62.45 per ANSI/IEEE C62.41.2 Scenario I Category C High Exposure 10kV/10kA waveforms for Line Ground, Line Neutral and Neutral Ground, and in accordance with U.S. DOE (Department of Energy) MSSLC (Municipal Solid State Street Lighting Consortium) model specification for LED roadway luminaires electrical immunity requirements for High Test Level 10kV / 10kA. SP2 20kV/20kA optional.

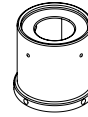
#### Luminaire options



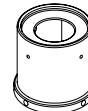
**HS**  
House side shield

**SP2** 20kV/20kA integral surge protector (optional)

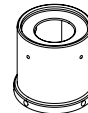
**WC** Without Cupola



**TN2.875C**  
2-7/8" dia. tenon adapter



**TN3**  
3" dia. tenon adapter



**TN3.5**  
3-1/2" dia. tenon adapter



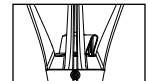
**CHM**  
Etched Glass Chimney



**RC**  
Receptacle 3-pins standard (If a 5 or 7 pin is required contact the factory)



**RCD7**  
Receptacle 7-pins.



**PH8** (allows a 90° rotation) Photoelectric Cell, Twist-lock Type complete with receptacle.

**PH9** Shorting cap, Twist-lock Type complete with receptacle.

**PHXL** (allows a 90° rotation) Extended life photoelectric cell, Twist-lock Type complete with receptacle.

# L40U L40 LED Post Top

## Urban Luminaire

### Specifications (continued)

#### Finish

In accordance with the AAMA 2603 standard. Application of polyester powder coat paint (4 mils/100 microns) with +/- 1 mils/24 microns of tolerance. The Thermosetting resins provides a discoloration resistant finish in accordance with the ASTM D2244 standard, as well as luster retention in keeping with the ASTM D523 standard and humidity proof in accordance with the ASTM D2247 standard. The surface treatment achieves a minimum of 2000 hours for salt spray resistant finish in accordance with testing performed and per ASTM B117 standard.

#### Textured Finish Options:

**BE2TX:** Textured Midnight Blue  
**BE6TX:** Textured Ocean Blue  
**BE8TX:** Textured Royal Blue  
**BG2TX:** Textured Sandstone  
**BKTX:** Textured Black  
**BRTX:** Textured Bronze  
**GN4TX:** Textured Blue Green  
**GN6TX:** Textured Forest Green  
**GN8TX:** Textured Dark Forest Green  
**GNTX:** Textured Green  
**GY3TX:** Textured Medium Grey  
**RD2TX:** Textured Burgundy  
**RD4TX:** Textured Scarlet  
**WHTX:** Textured White

#### Non-Textured Finish Options:

**GR:** Gray Sandtex  
**NP:** Natural Aluminum  
**TG:** Hammer-tone Gold

#### Luminaire useful life

Refer to IES files for energy consumption and delivered lumens for each option. Based on ISTMT in situ thermal testing in accordance with UL1598 and UL8750, using LM-80 data from LED manufacturers and engineering prediction methods, the luminaire useful life is expected to reach 100,000+ hours with >L70 lumen maintenance @ 25°C. Luminaire Useful Life accounts for LED lumen maintenance AND all of these additional factors including: LED life, driver life, PCB substrate, solder joints, on/off cycles, burning hours and corrosion. Entire luminaire is rated for operation in ambient temperature of -40°C / -40°F up to +35°C / +95°F.

#### Hardware

All exposed screws shall be complete with Ceramic primer-seal base coat to reduce seizing of the parts and offers a high resistance to corrosion. All seals and sealing devices are made and/or lined with EPDM and/or silicone and/or rubber.

#### Wiring

Gauge (#14) TEW/AWM 1015 or 1230 wires, 6" (152mm) minimum exceeding from luminaire.

#### Quality control

Manufactured to ISO 9001 2008 standards and ISO 14001-2004 International Quality Standards Certification.

#### LED products (manufacturing standard)

The electronic components sensitive to electrostatic discharge (ESD) such as light emitting diodes (LEDs) are assembled in compliance with IEC61340 5 1 and ANSI/ESD S20.20 standards so as to eliminate ESD events that could decrease the useful life of the product.

#### Quality control

Manufactured to ISO 9001 2008 standards and ISO 14001-2004 International Quality Standards Certification.

#### Certifications and Compliance

CSA, cULus Listed for Canada and USA. Luminaires are DesignLights Consortium qualified.

### LED Performance

Predicted lumen depreciation data <sup>1</sup>				
Ambient Temperature (°C)	Driver mA	Calculated L <sub>70</sub> hours <sup>1,2</sup>	L <sub>70</sub> per TM-21 <sup>2,3</sup>	Lumen Maintenance % @ 60,000 hours
25°C	700 mA	>100,000	>60,000	86%

1. Predicted performance derived from LED manufacturer's data and engineering design estimates, based on IESNA LM-80 methodology. Actual experience may vary due to field application conditions.
2. L<sub>70</sub> is the predicted time when LED performance depreciates to 70% of initial lumen output.
3. Calculated per IESNA TM21-11. Published L<sub>70</sub> hours limited to 6 times actual LED test hours.

