



Lumec **Square Lantern** LED post top luminaires draw on the designs of yesteryear in order to evoke a feeling of harmony and warmth in any project. This series is another example of how Lumec melds feelings of old-time luminaires with modern lighting techniques and technology. It can complement many settings thanks to its two sizes and its internal components assure long life, reliability, and durability. The blend of form and function makes the **Square Lantern** luminaires an excellent choice for older neighborhoods or contemporary environments.

Project: \_\_\_\_\_

Location: \_\_\_\_\_

Cat.No: \_\_\_\_\_

Type: \_\_\_\_\_

Lamps: \_\_\_\_\_ Qty: \_\_\_\_\_

Notes: \_\_\_\_\_

### Ordering guide

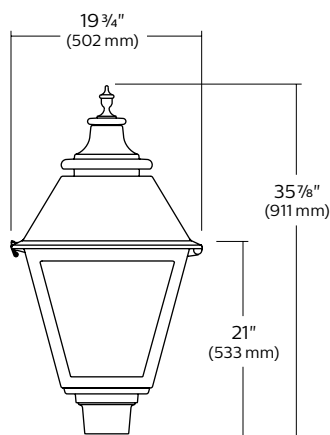
example: S40A-C-196L450WW-G2-ACDR-C-LE3-120-DMG-SFR-SP2-BKTX

Series	LED module	Gen.	Globe material	Globe finish	Optical system	Voltage	Driver	Adapter	Options			Poles/ Brackets	Finish
									Receptacle	Control	Luminaire		
S40-C S41-C	3000K	G2 Gen2	ACDR Acrylic Globe  PC Poly- carbonate	C Clear Globe	3 Type III (ASYM)  5 Type V (SYM)	UNV 120- 277VAC  347 347VAC  480 480VAC	DMG 0-10V  SRD <sup>1</sup> Sensor ready driver (standard configuration)  SRD1 <sup>1</sup> Sensor ready driver (alternate configuration)	SFR S40  SF41 S41	RCD7 <sup>3</sup> Receptacle for twist- lock photocell or shorting cap, 7-pin	PH7 <sup>2</sup> Photoelectric cell button type  PH8 <sup>4</sup> Twist-lock Photoelectric cell  PH9 <sup>4</sup> Shorting cap	SP2 20kV/10kA surge protector  TN2.875C Fitter to fit over a 2 7/8" (73mm) O.D. by 4" (102mm) long tenon  TN3 Fitter to fit over a 3" (76mm) O.D. by 4" (102mm) long tenon  TN3.5 Fitter to fit over a 3 1/2" (89mm) O.D. by 4" (102mm) long tenon  WC Without cupola	Consult with signify.com/ outdoorluminaires for details and the complete line of Signify poles	Textured
	196L450WW 196L650WW 196L1150WW 196L1675WW 196L2100WW												BE2TX Midnight Blue BE6TX Ocean Blue BE8TX Royal Blue BG2TX Sandstone BKTX Black BRTX Bronze GN4TX Blue Green GN6TX Forest Green GN8TX Dark Forest Green GNTX Green GV3TX Medium Grey RD2TX Burgundy RD4TX Scarlet WHTX White
	4000K												Other
	196L450NW 196L650NW 196L1150NW 196L1675NW 196L2100NW												GR Gray Sandtex NP Natural Aluminum TG Hammertone Gold

1. Not available 347-480 volt.  
 2. Not available with WC option.  
 3. If RCD7 is required you need to select WC without cupola. The RCD7 is located on top of the roof in place of the cupola for use with a control node.  
 4. RCD7 is required with Photocell and Shorting cap

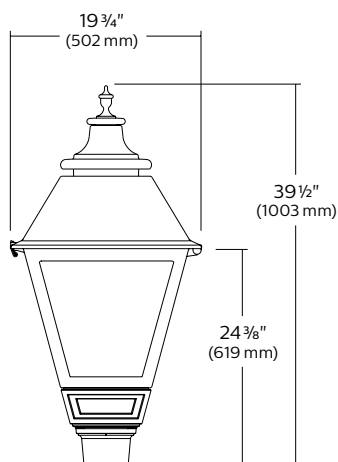
# S40-C/S41-C Square Lantern LED Post Top Urban Luminaire

## Dimensions



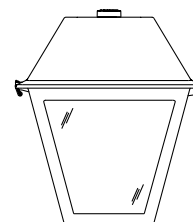
**S40-C**

EPA: 2.97 sq ft  
Weight: 44 lbs (20 kg)



**S41-C**

EPA: 3.25 sq ft  
Weight: 45 lbs (20.4 kg)



With RCD7 option

## LED Wattage and Lumen Values: for S40-C / S41-C with Clear globe

Ordering Code: Clear Globe (3000K)	Total LEDs	LED Current (mA)	Color Temp.	Average System Wattage <sup>1</sup> (W)	3			5		
					Lumen Output <sup>2</sup>	Efficacy (LPW)	BUG Rating	Lumen Output <sup>2</sup>	Efficacy (LPW)	BUG Rating
196L450WW-G2	196	450	3000	21	1793	85	B1-U2-G1	1720	82	B1-U2-G1
196L650WW-G2	196	650	3000	30	2570	86	B1-U2-G1	2467	82	B2-U2-G1
196L1150WW-G2	196	1150	3000	52	4429	85	B2-U3-G2	4250	82	B2-U3-G2
196L1675WW-G2	196	1675	3000	75	6086	81	B3-U3-G3	5841	78	B3-U3-G2
196L2100WW-G2	196	2100	3000	94	7327	78	B3-U3-G3	7031	75	B3-U3-G2

Ordering Code: Clear Globe (4000K)	Total LEDs	LED Current (mA)	Color Temp.	Average System Wattage <sup>1</sup> (W)	3			5		
					Lumen Output <sup>2</sup>	Efficacy (LPW)	BUG Rating	Lumen Output <sup>2</sup>	Efficacy (LPW)	BUG Rating
196L450NW-G2	196	450	4000	21	1976	94	B1-U2-G1	1896	90	B1-U2-G1
196L650NW-G2	196	650	4000	30	2833	94	B1-U2-G1	2719	91	B2-U2-G1
196L1150NW-G2	196	1150	4000	52	4883	94	B2-U3-G2	4686	90	B3-U3-G2
196L1675NW-G2	196	1675	4000	75	6710	89	B3-U3-G3	6439	86	B3-U3-G2
196L2100NW-G2	196	2100	4000	94	8077	86	B3-U3-G3	7751	82	B3-U3-G2

Actual performance may vary due to installation variables including optics, mounting/ceiling height, dirt depreciation, light loss factor, etc.; highly recommended to confirm performance with a layout - contact Applications at [signify.com/outdoorluminaires](mailto:signify.com/outdoorluminaires).  
**Note:** Some data may be scaled based on tests on similar but not identical luminaires.

# S40-C/S41-C

# Square Lantern LED Post Top

## Urban Luminaire

### Specifications

#### Housing

**Finial:** Decorative cast 356 aluminum, mechanically assembled.

**Cupola:** Decorative spun aluminum 1100 O, mechanically mounted on hood.

**Hood:** In a square tapered shape, the hood is made of a one-piece die cast injection molded A360 aluminium. Mechanically assembled to the guard.

**Guard:** In a square tapered shape, the guard is made of one-piece die cast injection molded A360 aluminium.

#### Access-mechanism

Two integrated hinges on the hood with a stopper and a latch shall offer a tool-free access to the inside of the luminaire. An embedded memory-retentive gasket shall ensure weatherproofing.

#### Light engine

Light guide technology provides low-glare, uniform illumination. Composed of 196 LEDs strategically positioned on the edge of the optical plate. Light engine luminous opening size optimized to best achieve a balance between lumen output and optical performance with the need to provide visual comfort. Light engine frame ensures contact with housing to provide heat conduction and sealing against the elements. Light engine is RoHS compliant. Maximum ambient operating temperature up to 40°C (104°F). Standard color temperatures: 3000K +/- 130K, 4000K +/- 130K, Minimum CRI of 80. Also available in 2700K, 3500K, 5000K and Amber (>590nm) with extended lead times. Contact factory for details.

#### Globe/Panel

**ACDR-C:** Made of one-piece seamless injection-molded clear impact-resistant (DR) acrylic. The globe is assembled on the access-mechanism.

**PC-CS:** Made of one-piece seamless injection-molded satin clear polycarbonate. The globe is assembled on the access-mechanism.

#### Heat sink

Made of cast aluminum optimizing the LEDs efficiency and life. Product does not use any cooling device with moving parts (only passive cooling device).

#### Optical system

The advanced LED comfort optical system provides standard Types 3 and 5. Also available in Types 1, 2 and 4 with extended lead times. Contact factory for details. Composed of high performance UV-stabilized optical grade lens with molded micro-optics to achieve desired distribution optimized to get a exceptional lighting uniformity. Performance tested per LM-79 and TM-15 (IESNA) certifying its photometric performance. Street side indicated.

**LE3** - Type III (ASYM)

**LE5** - Type V (SYMM)

#### Driver

Driver comes standard with dimming compatible 0-10V. High power factor of 90% minimum. Electronic driver, operating range 50/60 Hz. Auto adjusting universal voltage input from 120 to 277 or 347 to 480 VAC rated for both application line to line or line to neutral, Class I, THD of 20% max. Maximum ambient operating temperature from 40°F (40°C) to 130°F (55°C).

Certified in compliance to UL1310 cULus requirement. Dry and damp location. Assembled on a unitized removable tray with Tyco quick disconnect plug resisting to 221°F (105°C). The current supplying the LEDs will be reduced by the driver if the driver experiences internal overheating as a protection to the LEDs and the electrical components. Output is protected from short circuits, voltage overload and current overload. Automatic recovery after correction. Standard built in driver surge protection of 2.5kV (min).

#### Driver options

**DMG:** Dimmable driver 0-10V.

**SRD:** Sensor Ready Driver including SR communication (used for dimming and other functionalities), 24V auxiliary supply and a logical signal input (LSI) connected to the top NEMA twist lock receptacle.

**SRD1:** Sensor Ready Driver including SR communication (used for dimming and other functionalities) but with 24V auxiliary supply and a logical signal input (LSI) not connected to the top NEMA twist lock.

#### Surge protector

Surge protector tested in accordance with ANSI/IEEE C62.45 per ANSI/IEEE C62.41.2 Scenario I Category C High Exposure 10kV/10kA waveforms for Line Ground, Line Neutral and Neutral Ground, and in accordance with U.S. DOE (Department of Energy) MSSLC (Municipal Solid State Street Lighting Consortium) model specification for LED roadway luminaires electrical immunity requirements for High Test Level 10kV / 10kA. SP2 20kV/10kA optional.

#### Luminaire options

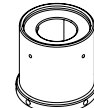
**PH7** Photoelectric cell button type

**SP2** 20kV/20kA integral surge protector (optional)

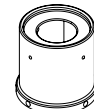
**WC** Without Cupola



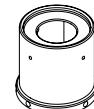
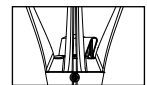
**RCD7**  
Receptacle  
7-pins.



**TN2.875C**  
2-7/8" dia.  
tenon adaptor



**TN3**  
3" dia.  
tenon adaptor



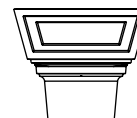
**TN3.5**  
3-1/2" dia.  
tenon adaptor

#### Fitter



#### S40 uses the SFR

Cast 356 aluminum c/w 4 set screws 3/8-16 UNC. Slip-fits on a 4" (102mm) outside diameter by 4" (102mm) long tenon.



#### S41 uses the SF41

Cast 356 aluminum c/w 4 set screws 3/8-16 UNC. Slip-fits on a 4" (102mm) outside diameter by 4" (102mm) long tenon.

### LED Performance

Predicted lumen depreciation data <sup>1</sup>				
Ambient Temperature (°C)	Driver mA	Calculated L <sub>70</sub> hours <sup>1,2</sup>	L <sub>70</sub> per TM-21 <sup>2,3</sup>	Lumen Maintenance % @ 60,000 hours
25°C	2100 mA	>100,000	>60,000	84%

1. Predicted performance derived from LED manufacturer's data and engineering design estimates, based on IESNA LM-80 methodology. Actual experience may vary due to field application conditions.
2. L<sub>70</sub> is the predicted time when LED performance depreciates to 70% of initial lumen output.
3. Calculated per IESNA TM21-11. Published L<sub>70</sub> hours limited to 6 times actual LED test hours.

# S40-C/S41-C Square Lantern LED Post Top

## Urban Luminaire

### Specifications (continued)

#### Finish

In accordance with the AAMA 2603 standard. Application of polyester powder coat paint (4 mils/100 microns) with +/- 1 mils/24 microns of tolerance. The Thermosetting resins provides a discoloration resistant finish in accordance with the ASTM D2244 standard, as well as luster retention in keeping with the ASTM D523 standard and humidity proof in accordance with the ASTM D2247 standard. The surface treatment achieves a minimum of 2000 hours for salt spray resistant finish in accordance with testing performed and per ASTM B117 standard.

---

#### Textured Finish Options:

**BE2TX:** Textured Midnight Blue  
**BE6TX:** Textured Ocean Blue  
**BE8TX:** Textured Royal Blue  
**BG2TX:** Textured Sandstone  
**BKTX:** Textured Black  
**BRTX:** Textured Bronze  
**GN4TX:** Textured Blue Green  
**GN6TX:** Textured Forest Green  
**GN8TX:** Textured Dark Forest Green  
**GNTX:** Textured Green  
**GY3TX:** Textured Medium Grey  
**RD2TX:** Textured Burgundy  
**RD4TX:** Textured Scarlet  
**WHTX:** Textured White

---

#### Non-Textured Finish Options:

**GR:** Gray Sandtex  
**NP:** Natural Aluminum  
**TG:** Hammer-tone Gold

#### Luminaire useful life

Refer to IES files for energy consumption and delivered lumens for each option. Based on ISTMT in situ thermal testing in accordance with UL1598 and UL8750, using LM-80 data from LED manufacturers and engineering prediction methods, the luminaire useful life is expected to reach 100,000+ hours with >L70 lumen maintenance @ 25°C. Luminaire Useful Life accounts for LED lumen maintenance AND all of these additional factors including: LED life, driver life, PCB substrate, solder joints, on/off cycles, burning hours and corrosion. Entire luminaire is rated for operation in ambient temperature of -40°C / -40°F up to +35°C / +95°F.

#### Hardware

All exposed screws shall be complete with Ceramic primer-seal base coat to reduce seizing of the parts and offers a high resistance to corrosion. All seals and sealing devices are made and/or lined with EPDM and/or silicone and/or rubber.

#### Wiring

Gauge (#14) TEW/AWM 1015 or 1230 wires, 6" (152mm) minimum exceeding from luminaire.

#### LED products (manufacturing standard)

The electronic components sensitive to electrostatic discharge (ESD) such as light emitting diodes (LEDs) are assembled in compliance with IEC61340 5 1 and ANSI/ESD S20.20 standards so as to eliminate ESD events that could decrease the useful life of the product.

#### Quality control

Manufactured to ISO 9001 2015 standards and ISO 14001-2015 International Quality Standards Certification.

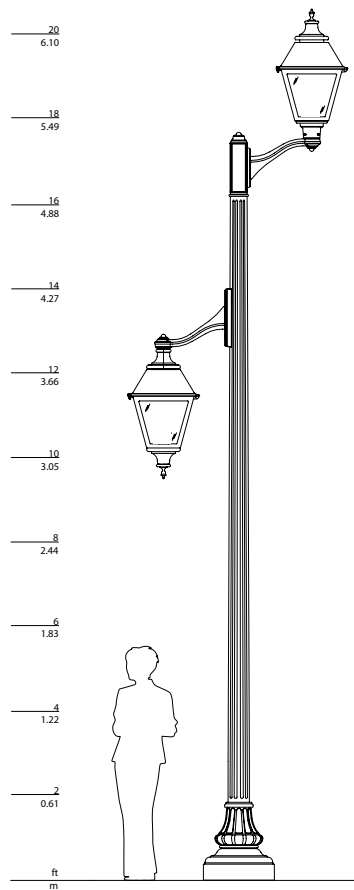
#### Certifications and Compliance

cULus Listed for Canada and USA.

# S40-C/S41-C Square Lantern LED Post Top Urban Luminaire

## Specifications (continued)

### Assembly example



**S40-C**  
Mounting: CRF-1A  
Mid pole Luminaire: S2-LE3-CP  
Mounting: CRFT-F  
Pole: RTA500-MPL

Consult [signify.com/outdoorluminaires](http://signify.com/outdoorluminaires) for details and the complete line of Signify poles and brackets.



© 2023 Signify Holding. All rights reserved. The information provided herein is subject to change, without notice. Signify does not give any representation or warranty as to the accuracy or completeness of the information included herein and shall not be liable for any action in reliance thereon. The information presented in this document is not intended as any commercial offer and does not form part of any quotation or contract, unless otherwise agreed by Signify.

Signify North America Corporation  
400 Crossing Blvd, Suite 600  
Bridgewater, NJ 08807  
Telephone: 800-555-0050

Signify Canada Ltd.  
281 Hillmount Road,  
Markham, ON, Canada L6C 2S3  
Telephone: 800-668-9008

All trademarks are owned by Signify Holding or their respective owners.