



Incredible efficacy & boundless lighting choices mean the re-engineered **Sona** wall LED is destined to become a future classic. Flexible up/down distributions and tailored LED optics mean you always have the right light for every task.

Project: _____
 Location: _____
 Cat.No: _____
 Type: _____
 Line ID: _____ Qty: _____
 Notes: _____

Ordering guide

example: 7708LCEVA047DEW

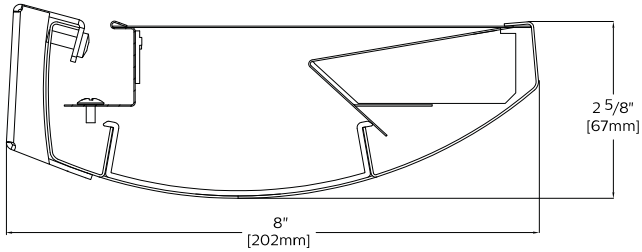
| Family | Version | Mount & Type | Source | CRI/CCT ¹ | Lumens ¹ | Optics & Distribution ¹ | Run Length | Wiring ² |
|--|--|--|--------------|--|--|---|---|--|
| 77 | | | L | | | | | |
| 77 Sona | 0 One Light Engine - Upper 1 One Light Engine - Lower | 8 Wall Asymmetric (70% Up) | L LED | A 80CRI/4000K B 80CRI/3500K C 80CRI/3000K | C 4500 lm/4ft E 3200 lm/4ft G 2100 lm/4ft C 4700 lm/4ft E 3400 lm/4ft G 2200 lm/4ft | AA Acrylic Diffusers VA White Louvers / Acrylic Diffuser AN Acrylic Diffuser / Solid Housing VN White Louvers / Solid Housing AG Acrylic Diffusers (80% Down) VG White Louvers / Acrylic Diffuser (80% Down) | 04 4ft 08 8ft xx Continuous Run (4ft increments) | 7 1cct Dimming E 2cct A/B Dimming (Alt. 4ft sections) M 1cct Dimming + EM Wiring N 1cct Dimming + EM Batt. Pack |
| Voltage | | Driver | | Finish | | | | |
| D UNV 120-277V 3 347V | E Advance 0-10V (1% Dim) | W Standard White T Titanium Silver B Black C Custom | | | | | | |

1. Nominal values within a range. Consult photometry data for CRI, color temp, lumens & distribution of chosen configuration.
 2. Not all wiring types are available with all configurations. Consult Ledalite for a complete list of available options.

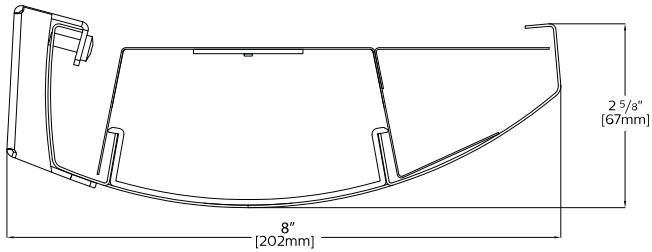
Sona linear wall

Cross Section View

7708

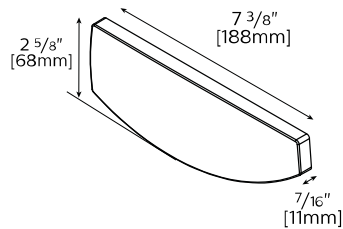


7718

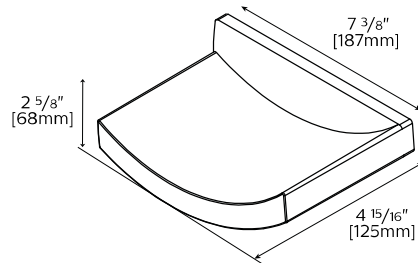


Endcaps

F - Flat

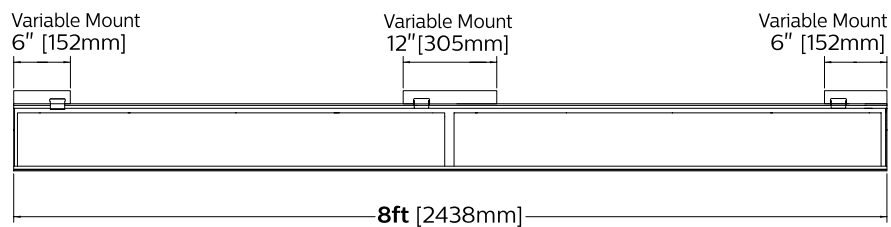
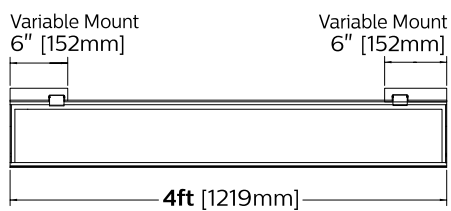


S - Sculpted (standard)



Module Details & Dimensions

Wall Mount - Top View, No Endcaps



Sona linear wall

Specifications

Optical System

1 Light Engine Upper: Lateral-facing LED arrays deliver light into both the upper and lower hemispheres, giving a highly efficient, native 70% up / 30% down distribution with a wide, homogeneous upper batwing distribution. A fully indirect version with a solid lower housing can be specified, as well as a 50% down-light kit option.

1 Light Engine Lower: A downward-facing LED array aims light into the lower hemisphere, for a highly efficient, fully direct distribution or optional 80% down version.

Lenses: On the upper surface an engineered diffuser smooths the light distribution on the ceiling and acts as a dust cover. On the lower surface, two 4" wide optics are available: either a curved, engineered acrylic diffuse lens flush to the housing; or a white louver with regressed diffuser for improved high angle cut-off and visual comfort.

Endcaps

Diecast aluminum endcaps, either Sculpted (curved) or optional Flat.

Finish

High quality powder coated, available in matte white, black or titanium silver. Other custom colors, including pacific aqua, are available on request. White sensors only.

Housing

Precision formed 18 gauge cold-rolled steel. Cross section size (approx.): 2.6"h x 9"w (suspended) or 7.4"w (wall mount).

Weight

Maximum: Suspended 4.9lb/ft, Wall 3.4lb/ft

Electrical

Factory pre-wired to section ends with quick-wire connectors.

Standard Drivers

Advance Xitanium 0-10V, 1-100%. Class 2 rated output. Consult Ledalite for other available drivers.

Standard Battery Pack

Bodine, 90 min, 10W, Class 2 rated output, Emergency lumen output = 10W x luminaire efficacy x 1.1. Typical output: suspended 1400lm, wall 1200lm.

Lumen Maintenance

LEDs have been tested by the manufacturer in accordance with IESNA LM-80-08. At an ambient temperature of 25°C, the LED lumen maintenance expectation according to IES TM-21-11 is: L80 (12k) >72,000 hrs (Reported methodology) L80 (12k) 110,000 hrs (Projected methodology).

Source Color

LEDs rated for color rendering CRI >80, R9 >0 and fixture to fixture color accuracy within 3 SDCM.

Mounting

Wall: A hidden steel rail and bracket system attaches to the existing structure and supports housings close to the wall. Mount positioning is fully variable along the modules to accommodate site conditions, spaced up to 4-1/2' on center and within 6" of an end or joint.

Joints

Self-aligning, gasketed joining system with hands-free wiring feature.

Approvals

Certified to UL, CSA and IES standards.

Warranty

Signify indoor professional luminaires 5 year LED warranty: www.signify.com/warranties.

Environment

Rated for dry or damp locations in operating ambient temperatures 0-40°C (32-104°F). Certain luminaire components may be adversely affected by contaminants. Damage caused by sulfur, chlorine, petroleum based solutions or other contaminants in the area of operation are not covered under warranty. Not suitable for natatorium environments.

Sona linear wall

Photometrics

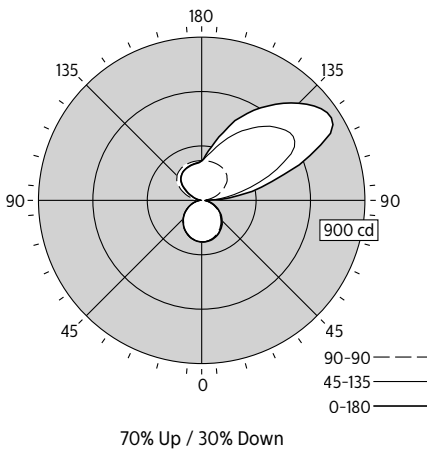
One Light Engine Upper - Wall Asymmetric

(Click "IES" text to Download)

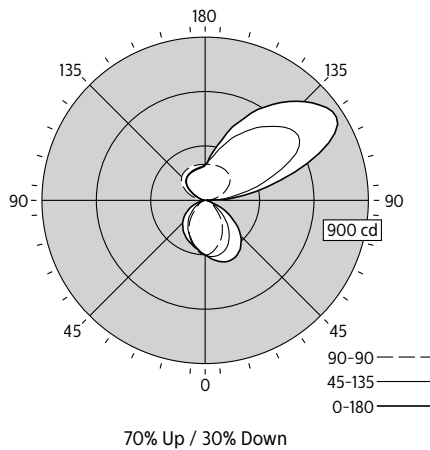
| Optics | Lumen Package | Nominal CRI & CCT | Flux (lm) | Watts (W) | Efficacy (LPW) | CRI | R9 | Distribution | RP-1 VDT | DLC* | IES File |
|-------------------------------------|---------------|-------------------|-----------|-----------|----------------|-----|----|-------------------|-----------------|------|---------------------|
| Acrylic Diffusers AA | 4500 lm/4ft | 80CRI, 4000K | 4652 | 40.2 | 115.7 | 84 | 11 | 70% Up / 30% Down | Normal spaces | N/A | IES |
| | | 80CRI, 3500K | 4554 | 40.2 | 113.3 | 83 | 9 | 70% Up / 30% Down | Normal spaces | N/A | IES |
| | | 80CRI, 3000K | 4375 | 40.2 | 108.8 | 84 | 11 | 70% Up / 30% Down | Normal spaces | N/A | IES |
| | 3200 lm/4ft | 80CRI, 4000K | 3332 | 271 | 123.0 | 84 | 11 | 70% Up / 30% Down | Critical spaces | N/A | IES |
| | | 80CRI, 3500K | 3262 | 271 | 120.4 | 83 | 9 | 70% Up / 30% Down | Critical spaces | N/A | IES |
| | | 80CRI, 3000K | 3135 | 271 | 115.7 | 84 | 11 | 70% Up / 30% Down | Critical spaces | N/A | IES |
| | 2100 lm/4ft | 80CRI, 4000K | 2175 | 171 | 127.2 | 84 | 11 | 70% Up / 30% Down | Critical spaces | N/A | IES |
| | | 80CRI, 3500K | 2130 | 171 | 124.6 | 83 | 9 | 70% Up / 30% Down | Critical spaces | N/A | IES |
| | | 80CRI, 3000K | 2047 | 171 | 119.7 | 84 | 11 | 70% Up / 30% Down | Critical spaces | N/A | IES |
| White Louvers / Acrylic Diffuser VA | 4500 lm/4ft | 80CRI, 4000K | 4560 | 40.2 | 113.4 | 84 | 11 | 70% Up / 30% Down | Normal spaces | N/A | IES |
| | | 80CRI, 3500K | 4463 | 40.2 | 111.0 | 83 | 9 | 70% Up / 30% Down | Normal spaces | N/A | IES |
| | | 80CRI, 3000K | 4287 | 40.2 | 106.6 | 84 | 11 | 70% Up / 30% Down | Normal spaces | N/A | IES |
| | 3200 lm/4ft | 80CRI, 4000K | 3266 | 271 | 120.5 | 84 | 11 | 70% Up / 30% Down | Critical spaces | N/A | IES |
| | | 80CRI, 3500K | 3198 | 271 | 118.0 | 83 | 9 | 70% Up / 30% Down | Critical spaces | N/A | IES |
| | | 80CRI, 3000K | 3073 | 271 | 113.4 | 84 | 11 | 70% Up / 30% Down | Critical spaces | N/A | IES |
| | 2100 lm/4ft | 80CRI, 4000K | 2132 | 171 | 124.7 | 84 | 11 | 70% Up / 30% Down | Critical spaces | N/A | IES |
| | | 80CRI, 3500K | 2088 | 171 | 122.1 | 83 | 9 | 70% Up / 30% Down | Critical spaces | N/A | IES |
| | | 80CRI, 3000K | 2006 | 171 | 117.3 | 84 | 11 | 70% Up / 30% Down | Critical spaces | N/A | IES |

*DLC is only available with Advance 0-10V (1% dim) drivers. EM Batt. Packs are also not available on DLC. EM Batt. Packs are also not available on DLC.

AA - Acrylic Diffusers



VA - White Louvers / Acrylic Diffuser



*Candela shown is for 2100 lm/4ft, 3500K, 80 CRI configuration.

Sona linear wall

Photometrics

One Light Engine Lower - Wall Asymmetric

(Click "IES" text to Download)

| Optics | Lumen Package | Nominal CRI & CCT | Flux (lm) | Watts (W) | Efficacy (LPW) | CRI | R9 | Distribution | RP-1 VDT | DLC* | IES File |
|--|---------------|-------------------|-----------|-----------|----------------|-----|----|-------------------|-----------------|----------|---------------------|
| Acrylic Diffuser / Solid Housing AN | 4700 lm/4ft | 80CRI, 4000K | 4830 | 42.5 | 113.6 | 83 | 6 | 2% Up / 98% Down | N/A | Standard | IES |
| | | 80CRI, 3500K | 4714 | 42.5 | 110.9 | 82 | 3 | 2% Up / 98% Down | N/A | Standard | IES |
| | | 80CRI, 3000K | 4469 | 42.5 | 105.2 | 82 | 2 | 2% Up / 98% Down | N/A | Standard | IES |
| | 3400 lm/4ft | 80CRI, 4000K | 3494 | 30.1 | 116.1 | 83 | 6 | 2% Up / 98% Down | N/A | Standard | IES |
| | | 80CRI, 3500K | 3410 | 30.1 | 113.3 | 82 | 3 | 2% Up / 98% Down | N/A | Standard | IES |
| | | 80CRI, 3000K | 3232 | 30.1 | 107.4 | 82 | 2 | 2% Up / 98% Down | N/A | Standard | IES |
| | 2200 lm/4ft | 80CRI, 4000K | 2280 | 19.3 | 118.1 | 83 | 6 | 2% Up / 98% Down | N/A | Standard | IES |
| | | 80CRI, 3500K | 2226 | 19.3 | 115.3 | 82 | 3 | 2% Up / 98% Down | N/A | Standard | IES |
| | | 80CRI, 3000K | 2110 | 19.3 | 109.3 | 82 | 2 | 2% Up / 98% Down | N/A | Standard | IES |
| White Louver / Solid Housing VN | 4700 lm/4ft | 80CRI, 4000K | 4167 | 42.5 | 98.0 | 83 | 6 | 2% Up / 98% Down | N/A | N/A | IES |
| | | 80CRI, 3500K | 4068 | 42.5 | 95.7 | 82 | 3 | 2% Up / 98% Down | N/A | N/A | IES |
| | | 80CRI, 3000K | 3856 | 42.5 | 90.7 | 82 | 2 | 2% Up / 98% Down | N/A | N/A | IES |
| | 3400 lm/4ft | 80CRI, 4000K | 3014 | 30.1 | 100.1 | 83 | 6 | 2% Up / 98% Down | Normal spaces | N/A | IES |
| | | 80CRI, 3500K | 2941 | 30.1 | 97.7 | 82 | 3 | 2% Up / 98% Down | Normal spaces | N/A | IES |
| | | 80CRI, 3000K | 2790 | 30.1 | 92.7 | 82 | 2 | 2% Up / 98% Down | Normal spaces | N/A | IES |
| | 2200 lm/4ft | 80CRI, 4000K | 1967 | 19.3 | 101.9 | 83 | 6 | 2% Up / 98% Down | Normal spaces | N/A | IES |
| | | 80CRI, 3500K | 1920 | 19.3 | 99.5 | 82 | 3 | 2% Up / 98% Down | Normal spaces | N/A | IES |
| | | 80CRI, 3000K | 1821 | 19.3 | 94.4 | 82 | 2 | 2% Up / 98% Down | Normal spaces | N/A | IES |
| Acrylic Diffusers (80% Down) AG | 4700 lm/4ft | 80CRI, 4000K | 5220 | 42.1 | 124.0 | 83 | 6 | 21% Up / 79% Down | N/A | N/A | IES |
| | | 80CRI, 3500K | 5095 | 42.1 | 121.0 | 82 | 3 | 21% Up / 79% Down | N/A | N/A | IES |
| | | 80CRI, 3000K | 4830 | 42.1 | 114.7 | 82 | 2 | 21% Up / 79% Down | N/A | N/A | IES |
| | 3400 lm/4ft | 80CRI, 4000K | 3776 | 29.8 | 126.7 | 83 | 6 | 21% Up / 79% Down | N/A | N/A | IES |
| | | 80CRI, 3500K | 3685 | 29.8 | 123.7 | 82 | 3 | 21% Up / 79% Down | N/A | N/A | IES |
| | | 80CRI, 3000K | 3494 | 29.8 | 117.2 | 82 | 2 | 21% Up / 79% Down | N/A | N/A | IES |
| | 2200 lm/4ft | 80CRI, 4000K | 2464 | 19.1 | 129.0 | 83 | 6 | 21% Up / 79% Down | N/A | N/A | IES |
| | | 80CRI, 3500K | 2406 | 19.1 | 126.0 | 82 | 3 | 21% Up / 79% Down | N/A | N/A | IES |
| | | 80CRI, 3000K | 2281 | 19.1 | 119.4 | 82 | 2 | 21% Up / 79% Down | N/A | N/A | IES |
| White Louvers / Acrylic Diffuser (80% Down) VG | 4700 lm/4ft | 80CRI, 4000K | 4740 | 42.5 | 111.5 | 83 | 6 | 27% Up / 73% Down | N/A | N/A | IES |
| | | 80CRI, 3500K | 4626 | 42.5 | 108.8 | 82 | 3 | 27% Up / 73% Down | Normal spaces | N/A | IES |
| | | 80CRI, 3000K | 4386 | 42.5 | 103.2 | 82 | 2 | 27% Up / 73% Down | Normal spaces | N/A | IES |
| | 3400 lm/4ft | 80CRI, 4000K | 3428 | 30.1 | 113.9 | 83 | 6 | 27% Up / 73% Down | Normal spaces | N/A | IES |
| | | 80CRI, 3500K | 3345 | 30.1 | 111.1 | 82 | 3 | 27% Up / 73% Down | Normal spaces | N/A | IES |
| | | 80CRI, 3000K | 3173 | 30.1 | 105.4 | 82 | 2 | 27% Up / 73% Down | Normal spaces | N/A | IES |
| | 2200 lm/4ft | 80CRI, 4000K | 2237 | 19.3 | 115.9 | 83 | 6 | 27% Up / 73% Down | Normal spaces | N/A | IES |
| | | 80CRI, 3500K | 2184 | 19.3 | 113.2 | 82 | 3 | 27% Up / 73% Down | Normal spaces | N/A | IES |
| | | 80CRI, 3000K | 2071 | 19.3 | 107.3 | 82 | 2 | 27% Up / 73% Down | Critical spaces | N/A | IES |

*DLC is only available with Advance 0-10V (1% dim) drivers. EM Batt. Packs are also not available on DLC.

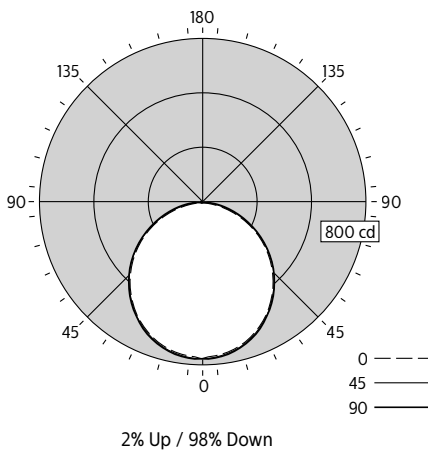
(following on page 6)

Sona linear wall

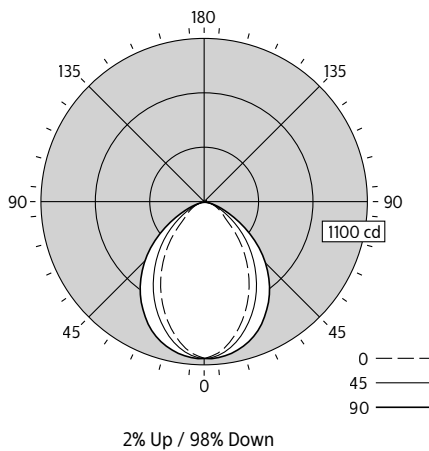
Photometrics (cont'd from page 5)

One Light Engine Lower - Wall Asymmetric

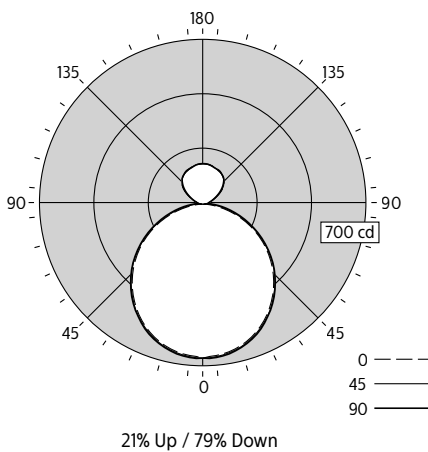
AN - Acrylic Diffuser / Solid Housing



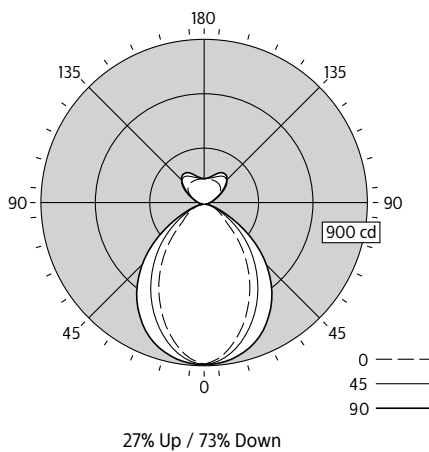
VN - White Louvers / Solid Housing



AG - Acrylic Diffusers (80% Down)



VG - White Louvers / Acrylic Diffuser (80% Down)



*Candela shown is for 2200 lm/4ft,
3500K, 80 CRI configuration.

