

3D Printing

by  Signify

3D printed lighting

Cylinder Pendants

PD Series



Signify's 3D Printed Cylinder Pendants, PD Series allows for thousands of different combinations, tailored to seamlessly match any indoor environment. Create dynamic new decorative styles for your projects by selecting from a variety of polycarbonate materials, visually rich surface textures, unique and creative shapes. Unleash your inner creator and select from the many options these cylinder pendants have to offer.

Project: _____
 Location: _____
 Cat.No: _____
 Type: _____
 Qty: _____
 Notes: _____

Fixture

example: 3DP CY WHST LC S DI WH BK E26 PAR38

Series	Colors	Textures	Mounting method	Canopy Type	Canopy colors	Cable colors	Socket	Bulb
3DPCY								
3DP CY PD Series	Satin colors WHST White (9003) SIST Silver BKST Black (9004)	LC Layered Coarse WO Woven Oval	S Surface T-WH Track white adapter T-BK Track black adapter Note: If Track mount methods are selected, do not choose Canopy Type or Color.	CO Conical DI Disk	WH White mount BK Black mount SI Silver mount	WH White BK Black	E26 E26 GU24 GU24 Note: For GU24 selection, order bulb separately.	NO No Bulb PAR38 PAR38 LED

Note: Different colors, textures & custom logo options are available upon request.

Features

- Customizable:** choose from a wide variety of colors, textures, shapes and styles. Over 170K options!
- Sustainable:** 3D Printed products produce less carbon emissions when compared to traditional, conventional luminaires.
- Local production:** Printed & assembled in Littlestown, PA.
- Quick delivery:** Created on demand and shipped in weeks.

Electrical

- Dimming:** All configurations are dependent on LED Lamps.
- Maximum Wattage:** 15W
- Track Mount:** Standard Lightolier track adapter option. Cable length and adapter wiring to be adjusted and wired at the time of install.
- Photometrics:** Dependant on type of lamp used. Check lamp's spec sheet for details. For additional lamp photometric files, please view the 3D Printed Tailored Lighting configurator website (see below).

Labels

cULus Listed
 5 year warranty
 IP20 & RoHS

Buy American Act of 1933 (BAA)

This product is manufactured in one of our US factories and, as of the date of this document, this product was considered a commercially available off-the-shelf (COTS) item meeting the requirements of the BAA. This BAA designation hereunder does not address (i) the applicability of, or availability of a waiver under, the Trade Agreements Act, or (ii) the "Buy America" domestic content requirements imposed on states, localities, and other non-federal entities as a condition of receiving funds administered by the Department of Transportation or other federal agencies. Prior to ordering, please visit www.signify.com/baa to view a current list of BAA-compliant products to confirm this product's current compliance.



Unleash your inner creator

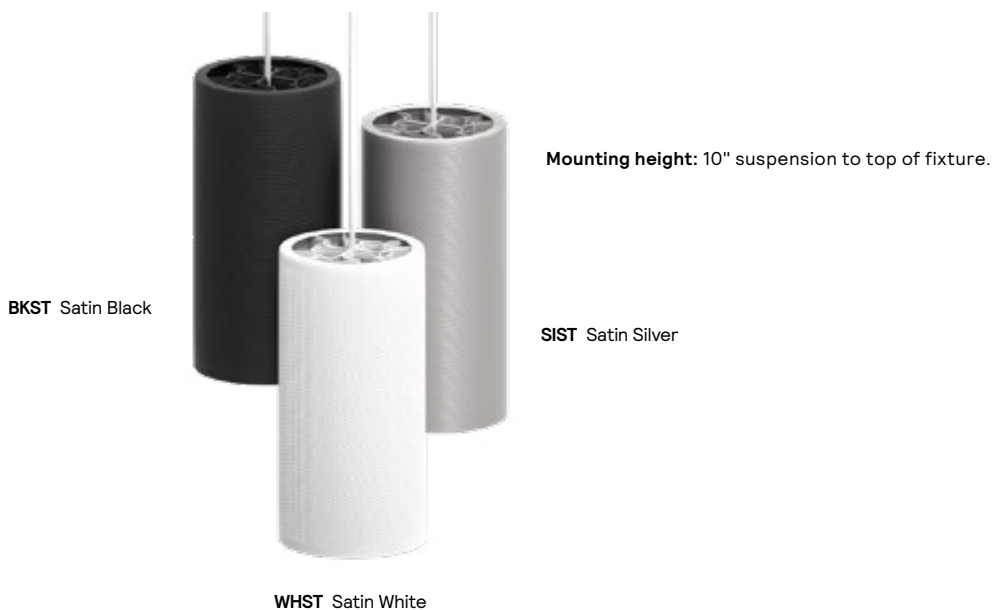
To configure your custom 3D printed luminaire, scan this QR Code with your smartphone's camera or visit us at: <https://www.tailored.lighting.philips.com/en/us/PD-Series/default.aspx>



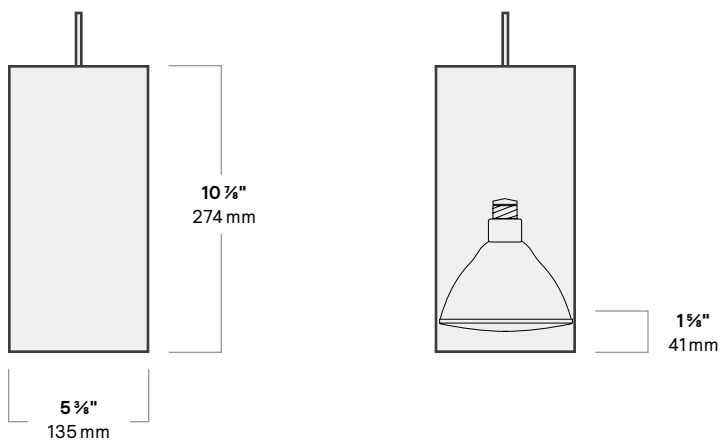
PD Series

3D Cylinder Pendants

Colors



Dimensions



© 2022 Signify Holding. All rights reserved. The information provided herein is subject to change, without notice. Signify does not give any representation or warranty as to the accuracy or completeness of the information included herein and shall not be liable for any action in reliance thereon. The information presented in this document is not intended as any commercial offer and does not form part of any quotation or contract, unless otherwise agreed by Signify.

Signify North America Corporation
400 Crossing Blvd, Suite 600
Bridgewater, NJ 08807
Telephone: 855-486-2216

Signify Canada Ltd.
281 Hillmount Road,
Markham, ON, Canada L6C 2S3
Telephone: 800-668-9008

All trademarks are owned by Signify Holding or their respective owners.