



Project: _____

Location: _____

Cat.No: _____

Type: _____

Line ID: _____ Qty: _____

Notes: _____

TruGroove cove offers a highly controlled asymmetric light throw, evenly lighting the space and ceiling, not the wall and pocket. This creates a smoothly illuminated low-glare environment with a "quiet" ceiling, free of striations. By adjusting installation angles you can determine your distribution, and multiple lumen-package choices help you direct the right amount of light within your space.

TruGroove cove now includes AccuRender technology for the highest color quality at the highest efficacy.

Ordering guide

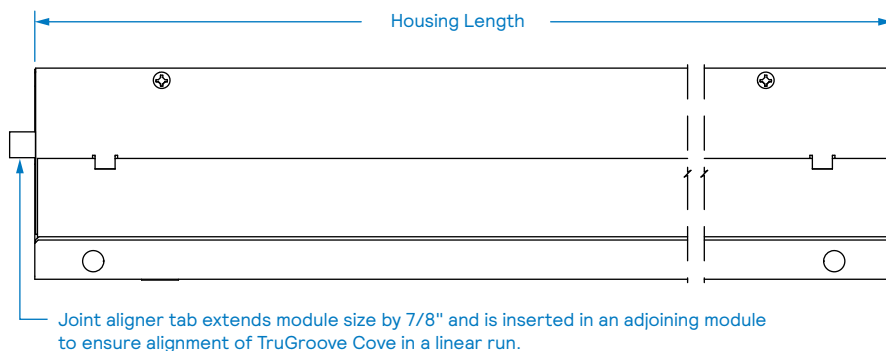
example: TC08L93540WNSN06DE1NNNN

Family	Version	Distribution	Source	CRI/CCT ¹	
TC TruGroove Cove	0 Straight Run	8 Asymmetric	L LED	950 CRI 90, 5000K 940 CRI 90, 4000K 935 CRI 90, 3500K	930 CRI 90, 3000K 927 CRI 90, 2700K
Lumens ¹	Optics		Run Length		
60 6000 lm/4ft 50 5000 lm/4ft 40 4000 lm/4ft 30 3000 lm/4ft 25 2500 lm/4ft 20 2000 lm/4ft 15 1500 lm/4ft 10 1000 lm/4ft	WN Focus Optics (Micro Silver) LN Fill Optics (White Reflector)		02 2ft 04 4ft C2 2.5ft 05 5ft 03 3ft 06 6ft C3 3.5ft 08 8ft XX Continuous run in 6" increments ⁴ (please specify)		
Voltage	Driver	Circuit ²	Wiring Option ²	System/Controls	Finish
D UNV 120-277V 3 347V ³	E Advance Xitanium 0-10V (1% Dim)	1 Single Circuit	N None B Battery Pack ₃ E Auxiliary Wiring	NN None	N Satin Coat
D UNV 120-277V	D Advance Xitanium DALI (5% Dim) ³ H Lutron EcoSystem LDE1 (<1% Dim, Fade-to-Black) ³				

TruGroove cove

Options and dimensions

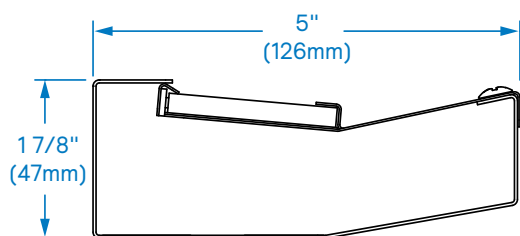
Top View



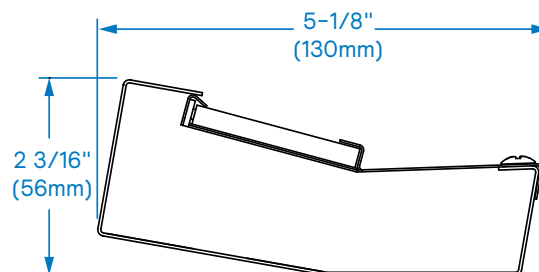
Nominal	Housing Length
2ft	24 3/8" [619mm]
2.5ft	30 1/4" [768mm]
3ft	36 1/8" [918mm]
3.5ft	42 1/16" [1068mm]
4ft	48" [1219mm]
5ft	60 1/2" [1537mm]
6ft	72 5/16" [1837mm]
8ft	96" [2438mm]

Cross Section

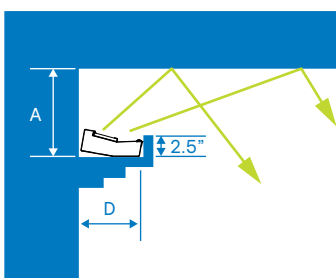
Flat Mount



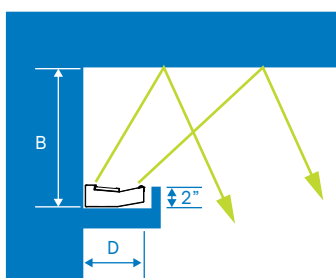
10° Angled Mount



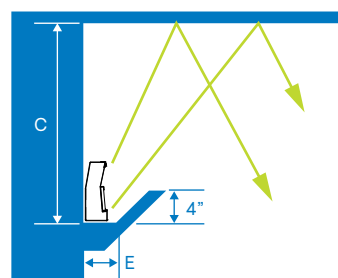
Application Mounting Options*



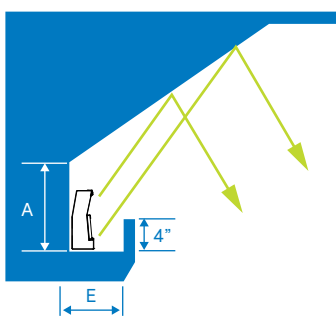
Flat ceiling: small drop distance



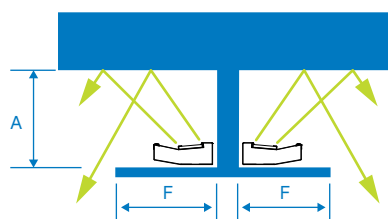
Flat ceiling: medium drop distance



Flat ceiling: large drop distance



Sloped or vaulted ceiling



Floating ceiling

Dimension	Min. Recommended*
A	12"
B	15"
C	18"
D	6"
E	4"
F	10"

Notes*

1. Minimum recommended application dimensions provide a guide to mounting TruGroove Cove (assumes power feed at end plate).
2. These minimum application dimensions can provide visual cut off to the luminaire when the cove is at a height of ≥9ft.
3. TruGroove Cove can be mounted horizontally or vertically, with or without a 10° tilt. No fine tuning of the optics required.

Specifications

Optical System

The optical system contains arrays of LEDs edge lighting a low profile light guide panel, using total internal reflection to homogenize the sources. The microstructure surface of the light guide optimizes light extraction to create a controlled yet efficacious indirect asymmetric distribution.

Construction

Housing: 20 Gauge CRS

Luminaire Weight: Maximum 2.9lbs/ft

High quality satin coat finish

Standard Drivers

Advance Xitanium 0-10V, 1% Dimming

Advance Xitanium DALI, 5% Dimming

Lutron EcoSystem LDE1, 1% Dimming with Soft-on, Fade-to-Black

Class 2 rated output. Consult Ledalite for other available drivers

Power Factor: >0.90

Total Harmonic Distortion: <20%

Standard Battery Packs

Bodine Battery Pack, 90 min, 10W, Class 2 rated output.

Lumen output = 10W x luminaire efficacy x 1.1. Typical output ~1200lm.

PoE Battery Pack, 90 min, 6W, Class 2 rated output.

Lumen output = 6W x luminaire efficacy. Typical output ~650lm

Lumen Maintenance

LEDs have been tested by the manufacturer in accordance with IESNA LM-80-15. At an ambient temperature of 25°C, the LED lumen maintenance expectation according to IES TM-21-11 is: L90 (10k) > 60,000 hours (reported methodology).

Source Color

LEDs rated for color rendering of:

CRI Ra ≥ 90, R9 ≥ 50, Ga ≥ 97, C9 ≥ 90

IES TM-30-18 : Rf ≥ 90, Rf,h1 ≥ 89, Rg ≥ 99, Rcs,h1 ≥ -5%

Fixture to fixture color accuracy within:

2 SDCM for Static White luminaires

3 SDCM for Tunable White luminaires

Mounting

Product can be mounting horizontally or vertically to focus the light throw in the correct orientation for the space. Fasteners supplied by others.

Approvals

Certified to UL, IES & CSA Standards.

Select TruGroove configurations contribute toward satisfying features L03, L04, L06, L07 and L08 under the WELL v2 Building Standard®.

Environment

Rated for dry or damp locations in operating ambient temperatures of 0-25°C (32-77°F).

Many luminaire components, such as reflectors, refractors, lenses, and LEDs are made from various types of plastics which can be adversely affected by airborne contaminants. If sulfur-based chemicals, petroleum-based products, cleaning solutions, or other contaminants are expected in the intended area of use, consult factory for compatibility. Damage caused by sulfur, chlorine, petroleum-based solution or other contaminants are not covered under warranty. Not suitable for natatorium environments.

Warranty

Five-year luminaire limited warranty including LED boards.

www.signify.com/warranties

QuickShip

10-day QuickShip available for most configurations upon request. More information available at:

www.signify.com/en-us/brands/ledalite/quickship

Colorimetry

TruGroove cove (TCxx) AccuRender Static White

Nominal CRI & CCT		CRI 90, 2700K	CRI 90, 3000K	CRI 90, 3500K	CRI 90, 4000K	CRI 90, 5000K
CIE 013.3-1995 ¹	CRI R_a	94	93	93	93	93
	R_9	55	57	59	64	68
	G_a	99	99	99	99	99
	C_9	93	93	93	93	94
IES TM-30-18 ²	R_f	92	91	91	91	90
	R_{f,h_1}	90	90	90	91	89
	R_g	100	100	99	100	100
	R_{cs,h_1}	-6%	-5%	-6%	-5%	-5%
MDER ³		0.45	0.51	0.58	0.65	0.81

1. Color Rendering Index (CRI Ra) and Strong Red (R9) are calculated in accordance with CIE 013.3-1995. Color Gamut index (Ga) and red chroma Index (C9) are CIE based properties using the Global Lighting Association's calculation tool.

2. Fidelity Index (Rf), Red Fidelity Index (Rf,h1), Gamut Index (Rg), and Red Local Chroma Shift (Rcs,h1) are calculated in accordance with IES TM-30-18.-18.

3. Melanopic Daylight Efficacy Ratio (MDER) is the measure for "spectral melanopic efficiency" as defined in CIE S 026-2018.

Photometry

Direct (TC08) Focus Optics with Micro Silver - WN

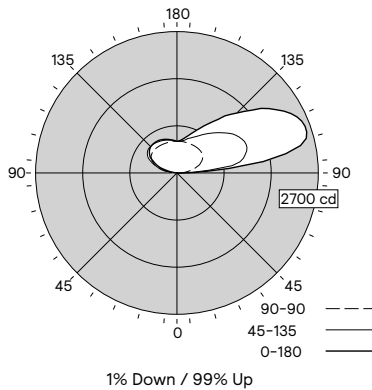
Nominal CRI & CCT		CRI 90, 2700K					CRI 90, 3000K					CRI 90, 3500K					CRI 90, 4000K					CRI 90, 5000K				
Nominal Lumen Package (lm/4ft)	Watts	Flux (lm/4ft) ¹	Efficacy (LPW) ¹	UGR ²	Photometry Report	IES File	Flux (lm/4ft) ¹	Efficacy (LPW) ¹	UGR ²	Photometry Report	IES File	Flux (lm/4ft) ¹	Efficacy (LPW) ¹	UGR ²	Photometry Report	IES File	Flux (lm/4ft) ¹	Efficacy (LPW) ¹	UGR ²	Photometry Report	IES File	Flux (lm/4ft) ¹	Efficacy (LPW) ¹	UGR ²	Photometry Report	IES File
6000	53.9	5,600	103.9	N/A	PDF	IES	5,759	106.8	N/A	PDF	IES	6,003	111.4	N/A	PDF	IES	6,077	112.7	N/A	PDF	IES	6,210	115.2	N/A	PDF	IES
5000	43.0	4,672	108.7	N/A	PDF	IES	4,805	111.7	N/A	PDF	IES	4,993	116.1	N/A	PDF	IES	5,063	117.7	N/A	PDF	IES	5,176	120.4	N/A	PDF	IES
4000	33.9	3,761	110.9	N/A	PDF	IES	3,867	114.1	N/A	PDF	IES	4,006	118.2	N/A	PDF	IES	4,068	120.0	N/A	PDF	IES	4,161	122.7	N/A	PDF	IES
3000	25.1	2,819	112.3	N/A	PDF	IES	2,899	115.5	N/A	PDF	IES	2,995	119.3	N/A	PDF	IES	3,045	121.3	N/A	PDF	IES	3,114	124.1	N/A	PDF	IES
2500	20.1	2,351	117.0	N/A	PDF	IES	2,420	120.4	N/A	PDF	IES	2,496	124.2	N/A	PDF	IES	2,539	126.3	N/A	PDF	IES	2,595	129.1	N/A	PDF	IES
2000	16.5	1,894	114.8	N/A	PDF	IES	1,952	118.3	N/A	PDF	IES	2,011	121.9	N/A	PDF	IES	2,048	124.1	N/A	PDF	IES	2,089	126.6	N/A	PDF	IES
1500	12.7	1,410	111.0	N/A	PDF	IES	1,455	114.6	N/A	PDF	IES	1,496	117.8	N/A	PDF	IES	1,526	120.2	N/A	PDF	IES	1,554	122.4	N/A	PDF	IES
1000	9.2	942	102.4	N/A	PDF	IES	972	105.7	N/A	PDF	IES	997	108.4	N/A	PDF	IES	1,019	110.8	N/A	PDF	IES	1,036	112.6	N/A	PDF	IES

(TC08) Fill Optics with White Reflectors - LN

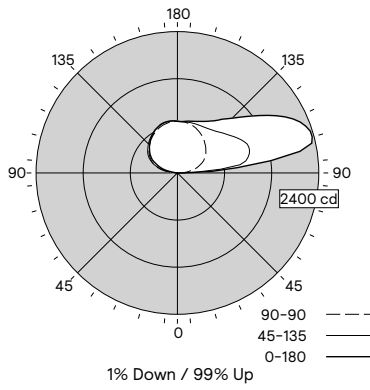
Nominal CRI & CCT		CRI 90, 2700K					CRI 90, 3000K					CRI 90, 3500K					CRI 90, 4000K					CRI 90, 5000K				
Nominal Lumen Package (lm/4ft)	Watts	Flux (lm/4ft) ¹	Efficacy (LPW) ¹	UGR ²	Photometry Report	IES File	Flux (lm/4ft) ¹	Efficacy (LPW) ¹	UGR ²	Photometry Report	IES File	Flux (lm/4ft) ¹	Efficacy (LPW) ¹	UGR ²	Photometry Report	IES File	Flux (lm/4ft) ¹	Efficacy (LPW) ¹	UGR ²	Photometry Report	IES File	Flux (lm/4ft) ¹	Efficacy (LPW) ¹	UGR ²	Photometry Report	IES File
6000	53.9	5,410	100.4	N/A	PDF	IES	5,564	103.2	N/A	PDF	IES	5,800	107.6	N/A	PDF	IES	5,871	108.9	N/A	PDF	IES	5,999	111.3	N/A	PDF	IES
5000	43.0	4,514	105.0	N/A	PDF	IES	4,642	108.0	N/A	PDF	IES	4,824	112.2	N/A	PDF	IES	4,892	113.8	N/A	PDF	IES	5,001	116.3	N/A	PDF	IES
4000	33.9	3,634	107.2	N/A	PDF	IES	3,736	110.2	N/A	PDF	IES	3,870	114.2	N/A	PDF	IES	3,930	115.9	N/A	PDF	IES	4,020	118.6	N/A	PDF	IES
3000	25.1	2,723	108.5	N/A	PDF	IES	2,801	111.6	N/A	PDF	IES	2,893	115.3	N/A	PDF	IES	2,942	117.2	N/A	PDF	IES	3,008	119.8	N/A	PDF	IES
2500	20.1	2,271	113.0	N/A	PDF	IES	2,338	116.3	N/A	PDF	IES	2,411	120.0	N/A	PDF	IES	2,453	122.0	N/A	PDF	IES	2,507	124.7	N/A	PDF	IES
2000	16.5	1,830	110.9	N/A	PDF	IES	1,886	114.3	N/A	PDF	IES	1,943	117.8	N/A	PDF	IES	1,978	119.9	N/A	PDF	IES	2,019	122.4	N/A	PDF	IES
1500	12.7	1,362	107.2	N/A	PDF	IES	1,406	110.7	N/A	PDF	IES	1,445	113.8	N/A	PDF	IES	1,474	116.1	N/A	PDF	IES	1,501	118.2	N/A	PDF	IES
1000	9.2	910	98.9	N/A	PDF	IES	939	102.1	N/A	PDF	IES	963	104.7	N/A	PDF	IES	985	107.1	N/A	PDF	IES	1,001	108.8	N/A	PDF	IES

1. 4ft Luminaire photometry has been conducted in accordance with IES LM-79-08. IES files can be downloaded by clicking the links in the table above, or online at ledalite.com. Luminaires with finishes other than standard white may result in a drop in flux and efficacy.
 2. Unified Glare Ratio (UGR) is calculated in accordance with CIE 117-1995. Reference conditions of 4Hx8Hx1H and reflectances of 70/50/20% have been applied using the procedure described in CIE 190-2010.

Focus Optics
(Micro Silver)
Spacing Criteria: 0.59/2.61



Fill Optics
(White Reflectors)
Spacing Criteria: 0.65/1.69



Candela plots shown are for 5000lm/4ft, CRI 90, 3500K configurations.

Footnotes from page 1 ordering guide

1. Nominal values within a range. Not all lumen packages are available with all configurations. Consult photometry data for CRI, color temp, lumens & distribution of chosen configuration.
2. Not all wiring types are available with all configurations. Consult Ledalite for a complete list of available options.
3. 347V not available with Battery Pack, DALI, or Lutron EcoSystem drivers. Battery packs available in modules > 4ft (lumen package limits may apply, check with Ledalite)
4. Available in continuous run lengths from 2ft in 6" increments.
5. Options not shown here may also be possible via a custom request. Extended lead times and minimum order quantities may apply, please consult factory.

Note: Due to continuing product improvements, Ledalite reserves the right to change the specifications without notice.

