

# Day-Brite



by Signify

## Surface

### Surface Modular LED 2x4

3200, 3800, 4300, 4800, 5400, or 7400 lumens



Day-Brite / CFI LED Surface modular luminaire is a shallow body, surface mounted premium grade luminaire with a variety of door frames and lens options available.

Project: \_\_\_\_\_  
 Location: \_\_\_\_\_  
 Cat.No: \_\_\_\_\_  
 Type: \_\_\_\_\_  
 Lamps: \_\_\_\_\_ Qty: \_\_\_\_\_  
 Notes: \_\_\_\_\_

### Ordering guide

Example: 2SML43L840-4-FS-02F-UNV-DIM

Width	Family	Lumen Package <sup>1</sup>	Color	Length	Door Frame	Lens	Voltage	Driver	Options
2	SML		—	4		—	—	—	
2 2'	SML Surface Modular LED	32L 3200lm 38L 3800lm 43L 4300lm 48L 4800lm 54L 5400lm 74L 7400lm	830 3000K, 80CRI 835 3500K, 80CRI 840 4000K, 80CRI 850 5000K, 80CRI	4 4'	FS Flat Steel TFS Tamper Resistant Flat Steel	02F Pattern 12, .100" nominal diffuse 50% 12F DB-12, .125" nominal diffuse 50% 19F DB-19, .156" nominal diffuse 50%	120 277 347 UNV Universal Voltage 120-277V	DIM 0-10V dimming SDIM Step dimming to 40% input power XDIM <sup>2</sup> MarkX phase dimming	F1 3/8" flex, 3 wire, 18 gauge 6' F2 3/8" flex, 4 wire, 18 gauge 6' F1/D 3/8" twin flex, 3 wire, 18 gauge 6', for dimmable luminaires F2/5W 3/8" single flex, 5 wire, 18 gauge 6', for dimmable luminaires EMLED <sup>3</sup> Integral emergency battery pack 1W 1-way gasket between lens & door frame (not avail. for RA door frame) 2W 1-way & gasket between door frame & housing GLR Fusing, fast blow DSC Quick driver disconnect BAC <sup>4</sup> Meets the requirements of the Buy American Act of 1933 (BAA)

### Footnotes

- Nominal lumens delivered
- XDIM option requires 120V to be specified
- Philips Bodine BSL310 1100 nominal lumens
- Failure to properly select the "BAC" suffix could result in you receiving product that is not BAA compliant product with no recourse for an RMA or refund. This BAC designation hereunder does not address (i) the applicability of, or availability of a waiver under, the Trade Agreements Act, or (ii) the "Buy America" domestic content requirements imposed on states, localities, and other non-federal entities as a condition of receiving funds administered by the Department of Transportation or other federal agencies.
- Consult Signify to confirm whether specific accessories are BAA-compliant.

### Energy data

Luminaire	Catalog Number	Input Power	Efficacy
2x4	2SML38L840	32.2	130.2
	2SML43L840	35.5	130.1
	2SML48L840	39.5	120.0
	2SML54L840	45.7	129.2
	2SML74L840	62.7	119.9

### Accessories<sup>5</sup> (order separately)

- TPDTH Tamper proof driver, Torx T-15 head pin drive and handle (required with TR option)
- CS-400 Rigid canopy
- CS-500 42" top swivel canopy
- CS-12 12" Stem
- CS-18 18" Stem
- CS-24 24" Stem
- CS-30 30" Stem
- CS-36 36" Stem
- CS-48 48" Stem



# 2SML Surface Modular LED luminaire 2x4

3200, 3800, 4300, 4800, 5400, or 7400 lumens

## Application

- High efficacy long life solid state lighting platform.
- General lighting distribution is excellent for ambient lighting.
- High CRI source provides excellent color rendering, 80 CRI minimum.
- LEDs are an excellent source for use with controls since frequent switching does not affect the life of the light source.

## Construction/Finish

- Surface or pendant mounting requires 4 stems.
- 4" deep metal sided unit.
- Housing is multi-stage phosphate treated for maximum corrosion resistance and painted after fabrication with white polyester powder coating.
- K.O.'s provided in ends allow individual or continuous row mounting.

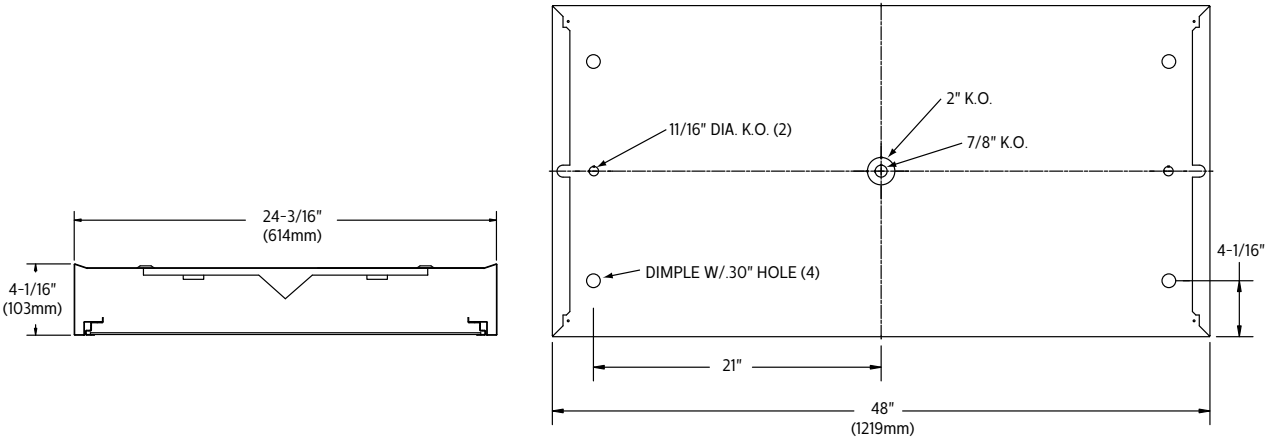
## Electrical

- Standard 0–10V dimming.
- Driver and LED boards are accessible from below. LED boards are individually replaceable if required.
- Five-year luminaire limited warranty including LED boards and driver. Visit [www.philips.com/warranties](http://www.philips.com/warranties) for complete warranty information.
- High efficiency LEDs have 50,000 hour rated life (defined by testing at 70% lumen maintenance (L70)), based on 25°C ambient operating temperature.
- cETLus listed to UL and CSA standards, suitable for damp location.
- Many luminaire components, such as reflectors, refractors, lenses, sockets, lampholders, and LEDs are made from various types of plastics which can be adversely affected by airborne contaminants. If sulfur based chemicals, petroleum based products, cleaning solutions, or other contaminants are expected in the intended area of use, consult factory for compatibility.

## Enclosure

- Mitered corner door frames painted after fabrication with a choice of Flat Steel, or Tamper Resistant Flat Steel.
- Door frames standard with guide post spring loaded latches.
- Prismatic acrylic pattern 12 lens standard (O2F). Other lenses optional.
- Can be hinged and latched from either side.
- TFS Door latches secured with 2 Torx head pin drive screws
- Special screwdriver required for TFS/TFA door, catalog #TPDTH sold separately

## Dimensions



## Photometry

### Surface Modular LED 2x4 3800 nominal delivered lumens

### LER – 130

Catalog No.	2SML38L840-4-FS-O2F-UNV-DIM	Candlepower				Light Distribution			Average Luminance			
		Angle	End	45	Cross	Degrees	Lumens	% Luminaire	Angle	End	45°	Cross
Test No.	36652	0	1845	1845	1845	0-30	1397	33.3	45	2179	2168	2122
S/MH	1.2	5	1828	1836	1840	0-40	2219	52.9	55	1778	1723	1632
Lamp Type	LED	15	1749	1757	1760	0-60	3540	84.4	65	1334	1243	1265
Lumens	4194	25	1580	1586	1584	0-90	4192	100.0	75	1215	1159	1321
Input Watts	32	35	1318	1320	1311	0-180	4194	100.0	85	1393	1402	1717
		45	993	987	967							
		55	657	637	603							
		65	363	338	345							
		75	203	193	220							
		85	78	79	96							

Coefficients of Utilization										
EFFECTIVE FLOOR CAVITY REFLECTANCE 20 PER (pfc=0.20)										
pcc	80	70	50				50	30		
pw	70	50	30	70	50	30	50	30		
RCR										
0	118	118	118	115	115	115	111	111		
1	110	105	101	107	103	98	98	95		
2	100	93	85	97	91	84	86	82		
3	92	82	75	90	81	73	78	71		
4	84	73	66	82	72	65	69	63		
5	79	67	57	77	65	57	63	56		
6	72	59	52	70	58	51	57	51		
7	68	55	46	66	54	46	53	46		
8	63	51	41	61	50	41	48	41		
9	58	46	39	57	46	38	45	38		
10	56	42	35	55	42	34	41	34		

Comparative yearly lighting energy cost per 1000 lumens – **\$1.85** based on 3000 hrs. and \$.08 pwr KWH.

The photometric results were obtained in the Day-Brite laboratory which is NVLAP accredited by the National Institute of Standards and Technology.

# 2SML Surface Modular LED luminaire 2x4

3200, 3800, 4300, 4800, 5400, or 7400 lumens

## Surface Modular LED 2x4 4300 nominal delivered lumens

LER – 130

Catalog No.	2SML43L840-4-FS-02F-UNV-DIM	Candlepower				Light Distribution			Average Luminance			
		Angle	End	45	Cross	Degrees	Lumens	% Luminaire	Angle	End	45°	Cross
Test No.	36653	0	2029	2029	2029	0-30	1537	33.3	45	2397	2386	2335
S/MH	1.2	5	2011	2020	2024	0-40	2441	52.8	55	1958	1899	1836
Lamp Type	LED	15	1924	1932	1937	0-60	3900	84.4	65	1467	1368	1390
Lumens	4620	25	1738	1745	1744	0-90	4618	100.0	75	1337	1271	1452
Input Watts	36	35	1450	1452	1443	0-180	4620	100.0	85	1530	1535	1872
		45	1092	1087	1064							
		55	724	702	678							
		65	400	372	379							
		75	223	212	242							
		85	86	86	105							

EFFECTIVE FLOOR CAVITY REFLECTANCE 20 PER (pfc=0.20)										
pcc	80	70	50		70	50	30		50	30
pw	70	50	30		70	50	30		50	30
RCR										
0	118	118	118		115	115	115		111	111
1	110	105	101		107	103	98		98	95
2	100	93	85		97	91	84		86	82
3	92	82	75		90	81	73		78	71
4	84	73	66		82	72	65		69	63
5	79	67	57		77	65	57		63	56
6	72	59	52		70	58	51		57	51
7	68	55	46		66	54	46		53	46
8	63	50	41		61	50	41		48	40
9	58	46	39		57	46	38		45	38
10	56	42	34		55	42	34		41	34

Comparative yearly lighting energy cost per 1000 lumens – **\$1.85** based on 3000 hrs. and \$.08 pwr KWH.

The photometric results were obtained in the Day-Brite laboratory which is NVLAP accredited by the National Institute of Standards and Technology.

## Surface Modular LED 2x4 4800 nominal delivered lumens

LER – 130

Catalog No.	2SML48L840-4-FS-02F-UNV-DIM	Candlepower				Light Distribution			Average Luminance			
		Angle	End	45	Cross	Degrees	Lumens	% Luminaire	Angle	End	45°	Cross
Test No.	36654	0	2249	2249	2249	0-30	1703	33.2	45	2659	2648	2584
S/MH	1.2	5	2229	2239	2243	0-40	2705	52.8	55	2170	2110	2028
Lamp Type	LED	15	2133	2142	2146	0-60	4325	84.4	65	1627	1518	1540
Lumens	5126	25	1925	1934	1932	0-90	5124	100.0	75	1481	1408	1609
Input Watts	40	35	1608	1610	1600	0-180	5126	100.0	85	1683	1690	2073
		45	1211	1206	1177							
		55	802	780	750							
		65	443	413	419							
		75	247	235	268							
		85	95	95	116							

EFFECTIVE FLOOR CAVITY REFLECTANCE 20 PER (pfc=0.20)										
pcc	80	70	50		70	50	30		50	30
pw	70	50	30		70	50	30		50	30
RCR										
0	118	118	118		115	115	115		111	111
1	109	105	101		107	103	98		98	95
2	100	93	85		97	91	84		86	82
3	92	81	75		90	81	73		78	71
4	84	73	66		82	72	65		69	63
5	79	67	57		77	65	56		63	56
6	72	59	52		70	58	51		57	51
7	68	55	46		66	54	46		53	46
8	63	50	41		61	50	41		47	40
9	58	46	39		57	46	38		45	38
10	56	42	34		55	42	34		41	34

Comparative yearly lighting energy cost per 1000 lumens – **\$1.85** based on 3000 hrs. and \$.08 pwr KWH.

The photometric results were obtained in the Day-Brite laboratory which is NVLAP accredited by the National Institute of Standards and Technology.

## Surface Modular LED 2x4 5400 nominal delivered lumens

LER – 129

Catalog No.	2SML54L840-4-FS-02F-UNV-DIM	Candlepower				Light Distribution			Average Luminance			
		Angle	End	45	Cross	Degrees	Lumens	% Luminaire	Angle	End	45°	Cross
Test No.	36655	0	2588	2588	2588	0-30	1960	33.2	45	3057	3047	2972
S/MH	1.2	5	2564	2576	2581	0-40	3112	52.7	55	2496	2425	2337
Lamp Type	LED	15	2454	2465	2470	0-60	4975	84.2	65	1940	1744	1827
Lumens	5906	25	2217	2226	2224	0-90	5904	100.0	75	1702	1621	1851
Input Watts	46	35	1850	1854	1839	0-180	5906	100.0	85	1940	1943	2394
		45	1393	1388	1354							
		55	922	896	864							
		65	528	475	497							
		75	284	270	309							
		85	109	109	134							

EFFECTIVE FLOOR CAVITY REFLECTANCE 20 PER (pfc=0.20)										
pcc	80	70	50		70	50	30		50	30
pw	70	50	30		70	50	30		50	30
RCR										
0	118	118	118		115	115	115		111	111
1	109	105	101		107	103	98		98	95
2	100	93	85		97	91	84		86	82
3	92	81	75		90	81	73		78	71
4	84	73	66		82	71	65		69	63
5	79	66	57		77	65	56		63	56
6	72	59	52		70	58	51		57	50
7	68	55	46		66	54	46		53	46
8	63	50	41		61	50	41		47	40
9	58	46	39		57	46	38		45	38
10	56	42	34		54	42	34		41	34

Comparative yearly lighting energy cost per 1000 lumens – **\$1.86** based on 3000 hrs. and \$.08 pwr KWH.

The photometric results were obtained in the Day-Brite laboratory which is NVLAP accredited by the National Institute of Standards and Technology.

# 2SML Surface Modular LED luminaire 2x4

3200, 3800, 4300, 4800, 5400, or 7400 lumens

## Surface Modular LED 2x4 7400 nominal delivered lumens

## LER – 126

Catalog No.	2SML74L840-4-FS-02F-UNV-DIM	Candlepower				Light Distribution			Average Luminance					
		Angle	End	45	Cross	Degrees	Lumens	% Luminaire	Angle	End	45'	Cross		
Test No.	36656	0	3440	3440	3440	0-30	2604	33.1	45	4062	4041	3959		
S/MH	1.2	5	3408	3425	3432	0-40	4137	52.5	55	3320	3217	3116		
Lamp Type	LED	15	3261	3276	3283	0-60	6616	84.0	65	2661	2487	2530		
Lumens	7879	25	2946	2955	2953	0-90	7876	100.0	75	2265	2156	2466		
Input Watts	63	35	2459	2460	2445	0-180	7879	100.0	85	2593	2599	3202		
		45	1850	1841	1804	<b>Coefficients of Utilization</b>								
		55	1227	1189	1152	<b>EFFECTIVE FLOOR CAVITY REFLECTANCE 20 PER (pfc=0.20)</b>								
		65	725	677	689	pcc	80	70	50	70	50	30	50	30
		75	378	360	411	pw	70	50	30	70	50	30	70	50
		85	146	146	180	RCR								
Comparative yearly lighting energy cost per 1000 lumens – \$1.90 based on 3000 hrs. and \$.08 pwr KWH.		0				0	118	118	118	115	115	115	111	111
The photometric results were obtained in the Day-Brite laboratory which is NVLAP accredited by the National Institute of Standards and Technology.		1				1	109	105	101	107	103	98	98	95
		2				2	100	93	85	97	91	84	86	81
		3				3	92	81	75	90	81	73	78	71
		4				4	84	73	65	82	71	65	69	63
		5				5	79	66	57	77	65	56	63	56
		6				6	72	59	52	70	58	51	56	50
		7				7	68	55	46	66	54	46	53	45
		8				8	63	50	41	61	50	41	47	40
		9				9	58	46	38	57	46	38	45	38
		10				10	56	42	34	54	41	34	40	34



© 2021 Signify Holding. All rights reserved. The information provided herein is subject to change, without notice. Signify does not give any representation or warranty as to the accuracy or completeness of the information included herein and shall not be liable for any action in reliance thereon. The information presented in this document is not intended as any commercial offer and does not form part of any quotation or contract, unless otherwise agreed by Signify.

Signify North America Corporation  
200 Franklin Square Drive,  
Somerset, NJ 08873  
Telephone 855-486-2216

Signify Canada Ltd.  
281 Hillmount Road,  
Markham, ON, Canada L6C 2S3  
Telephone 800-668-9008

All trademarks are owned by Signify Holding or their respective owners.