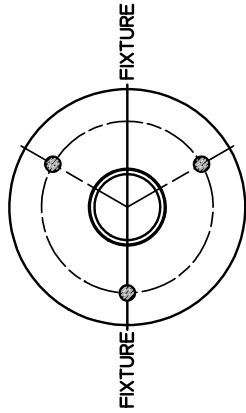


# ATTENTION:

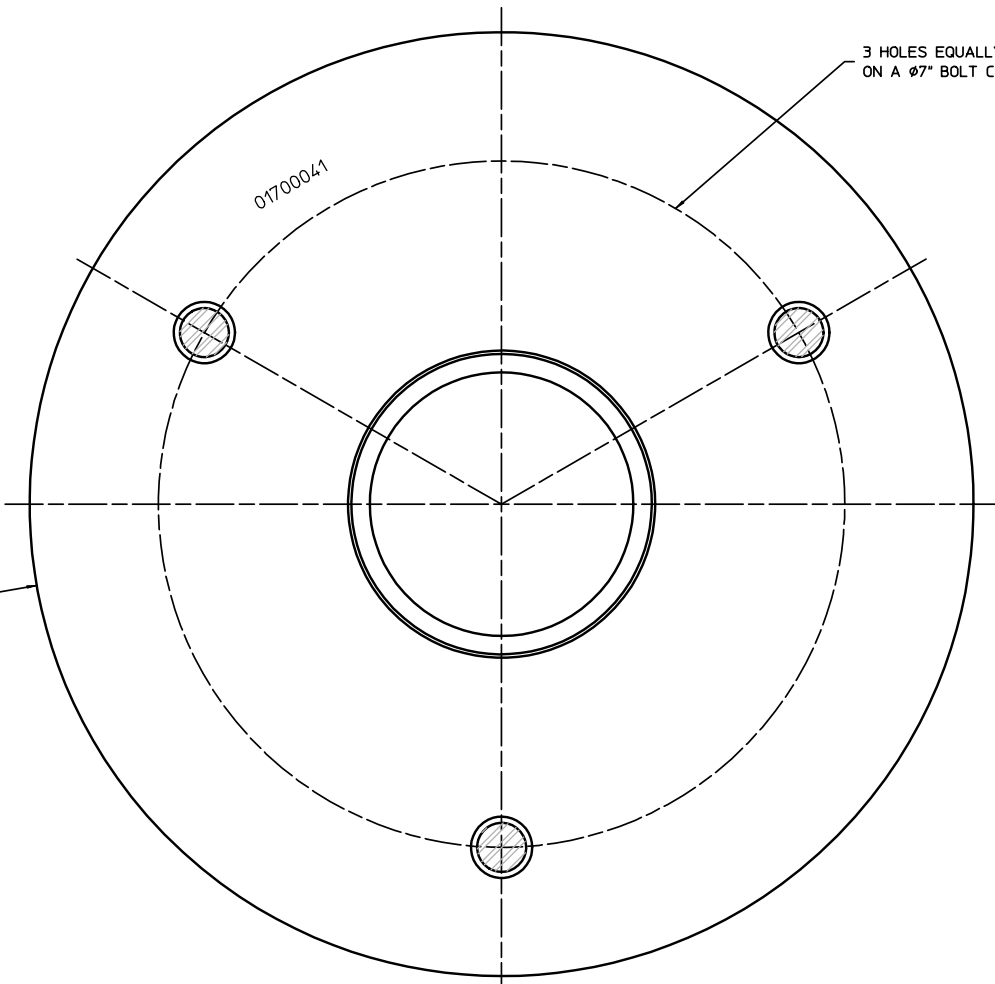
# FULL SCALE TEMPLATE

CAUTION ON (2) LIGHT MODEL ONLY  
FIXTURES WILL BE MOUNTED OPPOSITE  
EACH AND IN LINE WITH THE CENTERS  
OF ONE ANCHOR ROD AND THE POST  
AS SHOWN.

STREET SIDE



SCALE 1:4



3 HOLES EQUALLY SPACED  
ON A 7" BOLT CIRCLE

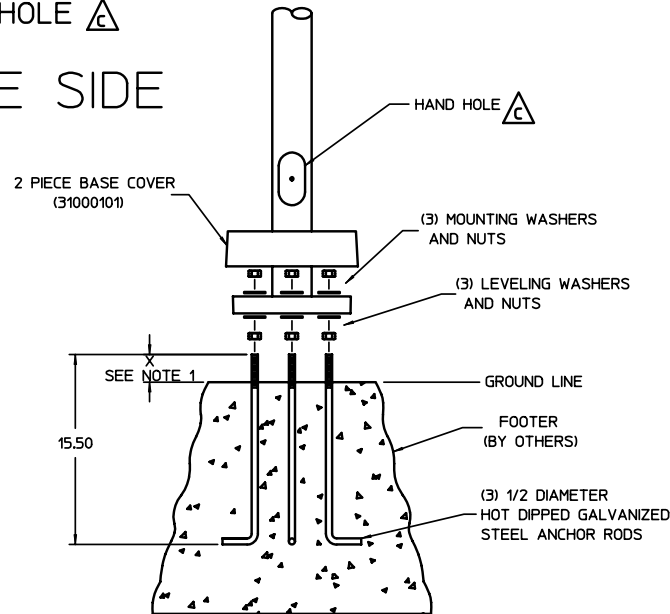
01700041

Ø9.625

HAND HOLE  $\triangle$

HOUSE SIDE

- NOTES:
- HADCO STRONGLY RECOMMENDS USING LEVELING NUTS TO MOUNT THE POST BASE. IF FOUNDATION IS NOT LEVEL, INCREASE "X" DIMENSION ACCORDINGLY WHEN USING LEVELING NUTS WITH WASHERS.  
  
X = 2 5/8" WITH LEVELING NUTS  
X = 2" WITHOUT LEVELING NUTS
  - IF USING GROUTING TO CONCEAL GAP BETWEEN BASE AND FOUNDATION, ALLOW FOR WATER DRAINAGE.



SCALE 1:8

**HADCO**  
130 Craftway P.O. Box 128  
Lithelton, Pennsylvania 17340-0128  
Phone 717-359-7131  
Fax 717-359-9515  
www.hadcoinc.com

**CONFIDENTIAL:** This drawing is confidential and proprietary to the HADCO Division of Genlyte Thomas Group LLC (HADCO), and may not be reproduced without the express written consent of HADCO. Any use hereof or of any of the information or detail herein shall be for the sole benefit of HADCO, © 2004 HADCO

DRAWN BY: C. CARR	DATE: 04/09/99
CHECKED BY:	DATE:
APPR BY:	DATE:
EF-04-01-11 Rev.05	SCALE: 1:1 SHEET 1 OF 1

TITLE: ANCHOR ROD TEMPLATE  
FULL SIZE FOR P150 POSTS

DWG NO: 01700041    SIZE: C

MATERIAL: 17 X 22 WHITE BOND PAPER

**\* DO NOT SCALE THIS DRAWING \***

PART NO: 10700041