

Day-Brite CFI

by Signify

Industrial

Vaporlume LED DW

2' sealed industrial,
2700 lumens



Project: _____
 Location: _____
 Cat.No: _____
 Type: _____
 Lamps: _____ Qty: _____
 Notes: _____

The Day-Brite / CFI Vaporlume LED sealed industrial DW is a specialized wet location, IP rated product designed for use in both indoor and outdoor environments. It is a wet location listed, non-corrosive luminaire available in both fluorescent and LED light sources.

Ordering guide

Example: DWAE27L840-2-UNV-MD360W

Family	Application	Lens	Hubs Installed	Lumen Package	Color Temp.	Length	Voltage	Options
<input type="text" value="D"/>	<input type="text" value="W"/>	<input type="text"/>	<input type="text" value="E"/>	<input type="text" value="27L"/>	<input type="text"/> - <input type="text"/>	<input type="text"/> - <input type="text"/>	<input type="text"/> - <input type="text"/>	<input type="text"/>
D Sealed industrial	W Wet Location	A DR Acrylic P Polycarbonate	E Ends only	27L 2700 nominal lumens	830 80 CRI, 3000K 835 80 CRI, 3500K 840 80 CRI, 4000K 850 80 CRI, 5000K	2 2'	UNV Universal Voltage, 120-277V 347' 347V	MD360W Wet location occupancy sensor, external GLR Fusing, fast blow

Footnotes

1 347V available only for 25°C maximum ambient.

Accessories (order separately)

- **TBK** – Stainless Steel Top Bracket Kit (pair of brackets plus hardware)
- **EBK** – Stainless Steel End Bracket Kit (pair of brackets plus hardware)
- **WBK** – Stainless Steel Wraparound Bracket Kit (pair of brackets)
- **FKR-126** – Chain Hanger Set (requires TBK)



DW Vaporlume LED sealed industrial

2', 2700 lumens

Application

- Ideally suited for use in refrigerated cold storage, industrial, parking garage, and canopy applications.
- Acceptable for outdoor as well as indoor installations.
- Can be surface (wall/ceiling) or suspended mounted unless otherwise specified.
- Wet Location – Areas of high humidity, water vapor, rain, incidental water spray, or other non-corrosive or non-flammable liquid.
- Mounting brackets available, order separately.
- IP65 rating standard.
- LED sources provide excellent low temperature performance. This product can replace a fluorescent model in cold environments with significant energy savings.
- Listed for use in 40°C ambient (347V available only for 25°C maximum ambient).

- NSF Certified for Non-Food Zone Installations.

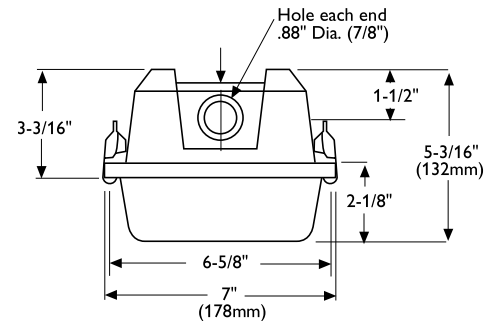
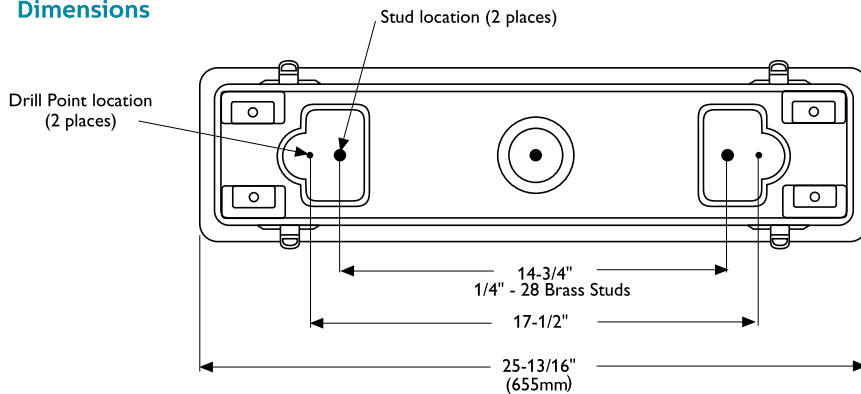
Construction/Finish

- Non-conductive, non-corrosive housing.
- Smooth exterior surface for easy cleaning.
- White one piece, molded fiberglass reinforced polyester body. No rusting, no oxidation, and no corrosion.
- Lens formed from crepe pattern high impact acrylic sheet of .130" nominal thickness.
- Optional polycarbonate lens will not be yellowed by LED sources because they do not produce UV.
- Continuous compressible closed cell gasket provides tight seal between plastic enclosure and luminaire body.
- White ABS cam action latches standard.
- Pre-painted steel lighting channel.
- Two gasketed threaded (1/2" trade size) wet location hubs installed on ends.

Electrical

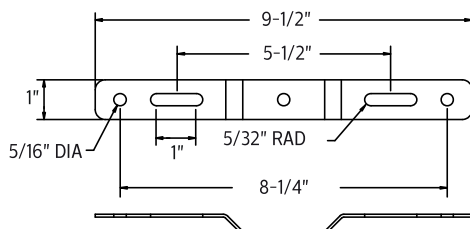
- High efficiency LEDs have 50,000 hour rated life (L70, defined as 70% lumen maintenance)..
- Dimming to 5% on 0–10V controls.
- Driver and LED boards are accessible from below. LED boards are individually replaceable if required.
- LED sources provide full illumination in low temperature applications, unlike fluorescent sources that provide reduced light levels in very cold environments..
- LED sources can be frequently switched with no negative impact on life..
- High CRI source provides excellent color rendering.
- Light output from the luminaire contains no infrared or ultraviolet energy, so the light won't heat or fade the objects being lit..
- Available motion sensor further increases energy savings in areas where occupancy is not continuous.
- cETLus listed to UL 1598. Suitable for use in wet locations.
- Five year luminaire warranty including LED boards and driver..

Dimensions

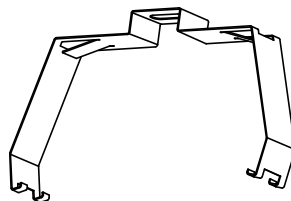


Mounting Brackets

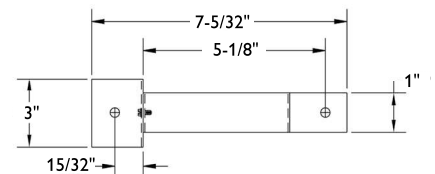
TBK - Top Mounting Bracket



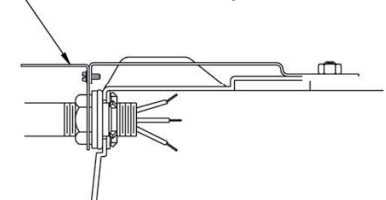
WBK - Wraparound Mounting Bracket



EBK - End Mounting Bracket



EBK - End Mounting Bracket



DW Vaporlume LED sealed industrial

2', 2700 lumens

2' Vaporlume LED DW, 2700 nominal delivered lumens LER-104

Catalog No.	DWAE27L835-2-UNV
Test No.	31212
S/MH	1.2
Source	LED
Input Watts	26

Comparative yearly lighting energy cost per 1000 lumens – \$2.31 based on 3000 hrs. and \$.08 per kWh..

The photometric results were obtained in the Day-Brite laboratory which is NVLAP accredited by the National Institute of Standards and Technology.

Photometric values based on test performed in compliance with LM-79.

Candlepower			
Angle	End	45	Cross
0	914	914	914
5	908	904	904
15	884	879	887
25	825	833	827
35	727	725	704
45	587	572	606
55	429	473	512
65	271	378	345
75	147	177	192
85	41	60	59
95	21	19	18
105	22	16	11
115	13	17	11
125	6	13	13
135	3	6	12
145	1	2	5
155	1	1	1
165	1	1	1
175	1	1	1

Coefficients of Utilization

EFFECTIVE FLOOR CAVITY REFLECTANCE 20 PER (pfc=0.20)

pcc	80			70			50		
	70	50	30	70	50	30	50	30	
pw									
RCR									
0	117	117	117	114	114	114	110	110	
1	108	103	98	105	100	95	95	92	
2	97	89	82	94	86	81	82	78	
3	89	78	69	85	77	68	72	67	
4	81	68	60	79	68	59	65	57	
5	75	61	53	72	60	52	57	51	
6	68	56	46	67	55	46	53	45	
7	64	51	41	61	50	40	47	40	
8	59	46	38	57	45	36	44	35	
9	56	41	34	54	41	34	40	33	
10	52	39	30	51	38	30	36	29	

Light Distribution

Degrees	Lumens	% Luminaire
0-30	716	26.5
0-40	1165	43.1
0-60	2046	75.7
0-90	2629	97.6

Average Luminance

Angle	End	45°	Cross
45	4378	4268	4520
55	3945	4347	4708
65	3387	4717	4309
75	2997	3610	3912
85	2464	3632	3584

Energy Data

Model	Initial Delivered Lumens @ 25°C Ambient	Input Power	Lumens per Watt	Application notes
DWAE27L835-2-UNV	2,694	26W	104 LPW	<ul style="list-style-type: none"> Equivalent to 2 lamp F17T8 or 1 lamp F32T8 at room temperature, 15% energy savings.. Equivalent to 2 lamp F32T8 in freezer (25°F), 50% energy savings.

