

IMPORTANT: FOR YOUR PROTECTION, YOU MUST CAREFULLY READ ALL WARNINGS AND INSTRUCTIONS IN THEIR ENTIRETY PRIOR TO INSTALLATION, OPERATION, SERVICE OR MAINTENANCE. FAILURE TO DO SO CAN RESULT IN DEATH, PERSONAL INJURY AND PROPERTY DAMAGE. If you do not understand these warnings and instructions, or if additional information is desired, please contact Signify at SanMarcos.TSC@signify.com phone 800-227-0758.

- Installation, service and maintenance of luminaires must be performed by a qualified professional and in accordance with all federal, state and local laws, regulations and electrical codes. This professional should be familiar with the construction and operation of this product and any hazards involved. If not qualified, do not attempt installation, service or maintenance.
- To reduce the risk of death, personal injury or property damage from fire, electric shock, falling parts, cuts, abrasions and other hazards, please read all warnings and instructions included with the luminaire, on the luminaire's packaging and affixed to the luminaire itself.
- Maintenance of the luminaires should be performed by person(s) familiar with the luminaire's construction and operation and any hazards involved.



WARNING

RISK OF FIRE, ELECTRIC SHOCK OR PERSONAL INJURY

- Disconnect or turn off power before attempting any installation, service or maintenance.
- Verify that supply voltage is correct by referencing the luminaire label information.
- Make all electrical and ground connections in accordance with the National Electrical Code (NEC) and any other applicable laws, regulations or codes.
- All wiring connections should be capped with UL-approved wire connectors.



WARNING

RISK OF PERSONAL INJURY

- Wear gloves and safety glasses at all times when removing luminaire from carton, installing, servicing or performing maintenance.
- Avoid direct eye exposure to the light source while it is on.



WARNING

RISK OF FIRE OR PERSONAL INJURY

- Keep combustible materials away from LED/lamp & lens
- Do not operate in close proximity to persons, combustible materials or substances affected by heat or drying.



WARNING

RISK OF FIRE, ELECTRIC SHOCK OR PERSONAL INJURY

- Allow Led/lamp & lens to cool before handling.
- Do not touch enclosure or light source
- Do not exceed maximum wattage marked on luminaire label.
- Follow all manufacturer's warnings, recommendations, instructions and restrictions for driver type, burning position, mounting locations and replacement.



CAUTION

RISK OF PRODUCT DAMAGE

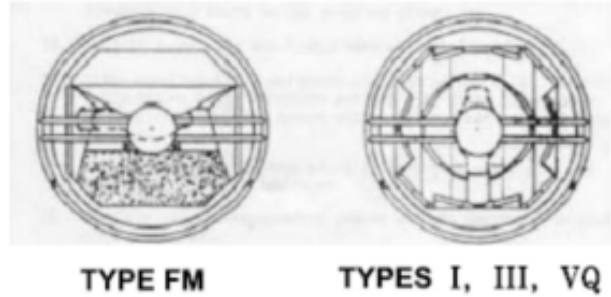
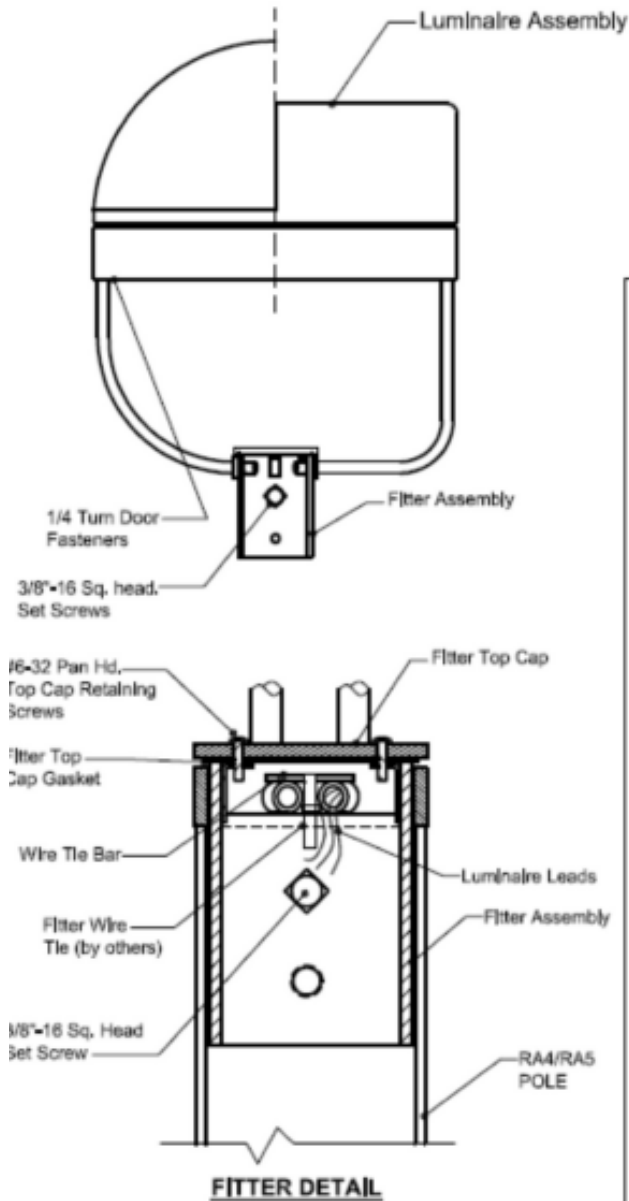
- Never connect luminaires and/or components under load with supply voltage turned on.
- Do not mount or support these luminaires in a manner that can cut the outer jacket or damage wire insulation.
- Do not restrict fixture ventilation. Allow for some volume of airspace around luminaire. Avoid covering luminaire with insulation, foam or other material that will prevent convection or conduction cooling.
- Do not exceed luminaire maximum ambient temperature.
- Do not modify the luminaire.
- Only use luminaire in its intended application and location.
- Led products are polarity sensitive. Ensure proper polarity before installation.
- Electrostatic Discharge (ESD) can damage LED. Personal grounding equipment must be worn during all installation and servicing of the luminaire.
- Do not touch individual electrical components as this can cause ESD, shorten LED life, or impact LED performance.
- Some components inside the luminaire may not be serviceable. In the unlikely event your luminaire may require service, stop using it immediately and contact SanMarcos.TSC@signify.com phone 800-227-0758.
- Always read the luminaires complete installation instructions prior to installation for any additional luminaire specific warnings.
- In the case of HID or Fluorescent luminaires, regular re-lamping is required to keep luminaire operating within safe limits
- **Do not install damaged product.** Handling and installing damaged products can potentially increase the risks mentioned. In case of damage and/or missing parts upon arrival of the luminaire, please contact SanMarcos.TSC@signify.com phone 800-227-0758.
- These instructions do not purport to cover all details or variations in equipment nor to provide every possible contingency to meet in connection with installation, operation or maintenance. Should further information be desired or should particular problems arise which are not covered sufficiently for the purchaser's or owner's purposes, this matter should be referred to SanMarcos.TSC@signify.com phone 800-227-0758.
- Please see luminaire specific Installation and Maintenance Instruction for additional warnings or any applicable FCC or regulatory statements. Failure to follow any of these Instructions could void luminaires warranties.

Luminaire Maintenance

- Regular luminaire maintenance programs are recommended.
- It is recommended to clean the outside of the luminaire and the refractor/lens.
- Frequency of cleaning will depend on ambient dirt level and minimum light output which is acceptable to user.
- If clean water is not sufficient for cleaning, use a neutral, synthetic, not-scratching and not-abrasive cleaning substance.
- Never use alkaline and/or acetous cleaning substances.
- Make sure that the cleaning substance is carefully removed by rinsing with lots of clean water.
- Signify recommends using a cleaning solution that has a PH between 5 and 8.
- Recycle: For information on how to recycle electronic products and components, please visit www.epa.gov.

**IMPORTANT: READ ALL INSTRUCTIONS BEFORE PERFORMING ANY WORK.
BE SURE ALL POWER IS OFF PRIOR TO INSTALLING LUMINAIRES**

SEE PAGE 2 FOR
POLE TENON APPLICATIONS



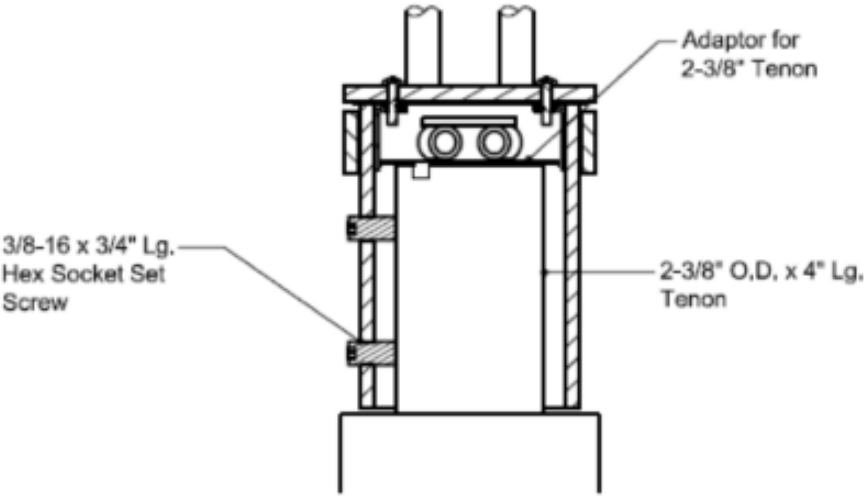
RECOMMENDED LAMP/ARM ORIENTATION

INSTALLATION PROCEDURES:

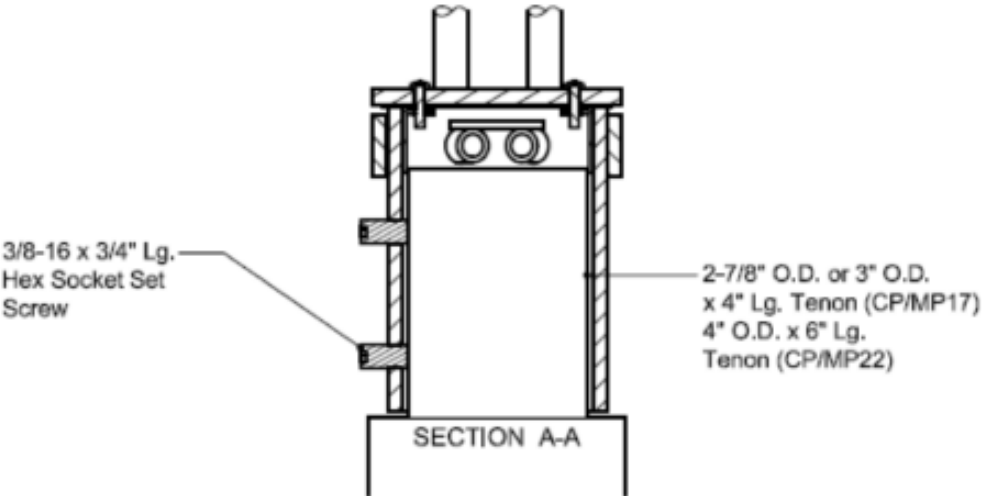
1. Place pole in an elevated horizontal position with the hand hole facing in an upward direction and remove hand hole cover.
- CAUTION:** IF POLE BASE COVER IS ONE PIECE, IT MUST BE INSTALLED OVER POLE SHAFT PRIOR TO LUMINAIRE INSTALLATION.
2. Pull field wires through pole allowing sufficient length leads above pole top to make electrical connections.
3. Remove (2) #6-32 top cap retaining screws and remove filter top cap.
- POLE TENON APPLICATIONS:** Remove the (3) 3/8"-16 Sq. head set screws. If tenon is 2-3/8" diameter, install tenon adapter as illustrated prior to installing filter assembly. (See page 2)
4. Determine desired orientation of luminaire reflector ass'y/support arms with respect to pole base hole pattern and mount filter assembly on pole top or pole tenon. Secure in position with (3) 3/8"-16 Sq. Head Set screws or (6) 3/8"-16 Hex socket set screws.
5. Splice field wires to luminaire leads (input and grounding) and secure with wire tie (by others) to provide adequate strain relief.
6. Replace top cap gasket and top cap on filter assembly and secure in position with (2) #6-32 top cap retaining screws.
7. Disengage (2) 1/4 turn door fasteners and carefully open luminaire door.
8. Install proper lamp in luminaire. (type is noted on reflector assembly.)
9. Close luminaire door and secure in position by engaging (2) 1/4 turn door fasteners.
10. Install pole per manufacturer's recommendation checking for proper vertical alignment.
11. Complete all wiring required and reinstall hand hole cover on pole.
12. Energize system.

CAUTION: USE CLEAR LAMP ONLY. Clear lamp required for optimum photometric performance.

FOR CP/MP 17 UNITS, 4" DIAMETER POLE IS RECOMMENDED.
 FOR CP/MP 22 UNITS, 5" DIAMETER POLE IS RECOMMENDED.



CP/MP 17 Luminaires
 SCALE 1 / 2



CP/MP 17 Luminaires
 OR
CP/MP 22 Luminaires

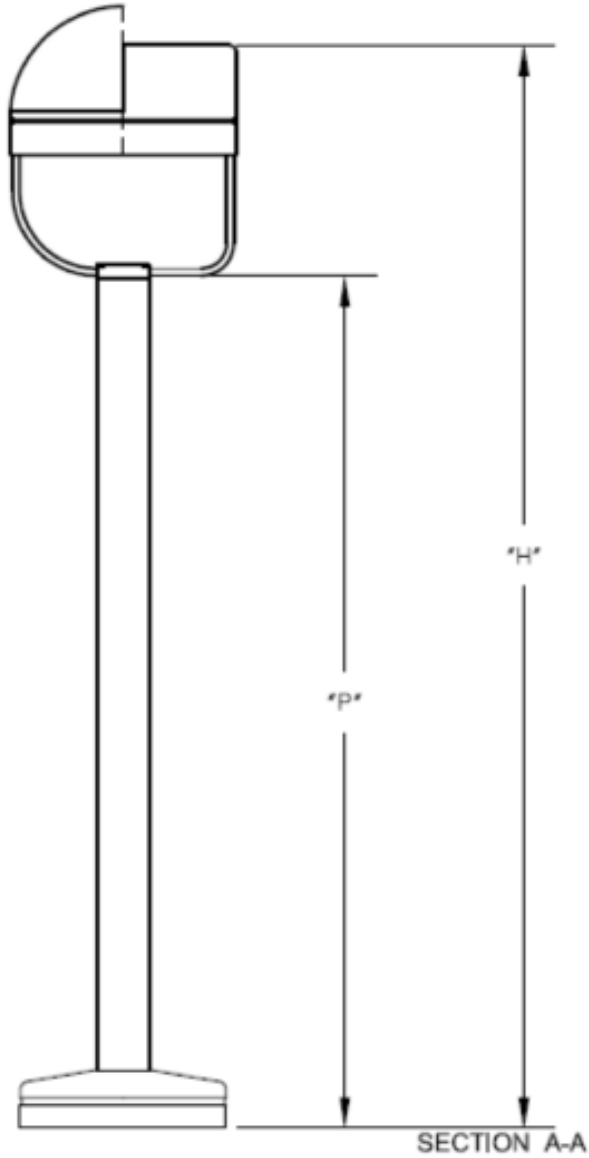
© 2018 Signify Holding. All rights reserved. This document contains information relating to the product portfolio of Signify which information may be subject to change. No representation or warranty as to the accuracy or completeness of the information included herein is given and any liability for any action in reliance thereon is disclaimed. The information presented in this document is not intended as any commercial offer and does not form part of any quotation or contract. All trademarks are owned by Signify Holding or their respective owners.

Signify North America Corporation
 200 Franklin Square Drive
 Somerset N.J. 08873, USA

Signify Canada Ltd./Signify Canada Ltée.
 281 Hillmount Road,
 Markham, ON, Canada L6C 2S3



by @ignify



Mtg. Ht "H"	Nominal Pole height "P"	
	4" pole CP/MP 17	5" pole CP/MP 22
8'	6' - 6"	N/A
10'	8' - 6"	8' - 2"
12'	10' - 6"	10' - 2"
15'	13' - 6"	13' - 2"
18'	N/A	16' - 2"
20'	N/A	18' - 2"
25'	N/A	23' - 2"

POLE/LUMINAIRE HEIGHT INFORMATION

© 2018 Signify Holding. All rights reserved. This document contains information relating to the product portfolio of Signify which information may be subject to change. No representation or warranty as to the accuracy or completeness of the information included herein is given and any liability for any action in reliance thereon is disclaimed. The information presented in this document is not intended as any commercial offer and does not form part of any quotation or contract. All trademarks are owned by Signify Holding or their respective owners.

Signify North America Corporation
200 Franklin Square Drive
Somerset N.J. 08873, USA

Signify Canada Ltd./Signify Canada Ltée.
281 Hillmount Road,
Markham, ON, Canada L6C 2S3



by @ignify