

Calculite LED 3" Cylinders feature industry leading visual comfort, excellent uniform illumination over time, and installation flexibility. Downlight, Wall Wash, Adjustable Accent and Direct/Indirect configurations provide flexibility to accentuate ambiance for office, retail, and hospitality applications.

Ordering check list (x=needed for complete luminaire configuration)

Catalog Prefix	Mounting	Style	Fixture+	Reflector+	Optics+	Accessories
C3CPC(S/M/L)DL	Pendant Cable	Downlight	X	X		
C3CPSA	Pendant Stem	Adj Accent	X		X	X
C3CSA	Surface	Adj Accent	X		X	
C3CPSDL	Pendant Stem	Downlight	X	X		X
C3CPSWW	Pendant Stem	Wall Wash	X			X
C3CSDL	Surface	Downlight	X	X		
C3CWDL	Wall	Downlight	X	X		
C3CSWW	Surface	Wall Wash	X			
C3CWWW	Wall	Wall Wash	X			
C3CWUDW	Wall	Up/Down Wall Wash	X			
C3CWUD	Wall	Up/Down	X	X (2 needed)		
C3CSU(S/M/L)UD	Suspended	Up/Down	X	X		

Project: _____

Location: _____

Cat.No: _____

Type: _____

Qty: _____

Notes: _____

Fixture

example: C3CPSA15940Z10UA

Series	Mounting	Style	Lumens	CRI/CCT	Dimming/Voltage ⁴	Finish
C3C						
C3C Calculite 3" Cylinder	PCS Pendant w/Cable 6' power/cord PCM Pendant w/Cable 12' power/cord PCL Pendant w/Cable 20' power/cord	DL Downlight ²	13 1250lm	9D2W 90CRI/3000K-1800K	LO1U Lutron PEQ EcoSystem 0.1% / Unv (120/277V)	A Aluminum ⁵ B Black (matte) ⁵ W White (matte) ⁵ RAL RAL Color ^{5,6} (std code)
			15 1485lm	9D2W 90CRI/3000K-1800K	Z10U 0-10V 1% / Unv (120/277V) ELV1 ELV (120V) / Unv (120/277V)	
			10 1000lm 15 1500lm 20 2000lm ⁴	927 90CRI/2700K 930 90CRI/3000K 935 90CRI/3500K 940 90CRI/4000K	Z10U 0-10V 1% / Unv (120/277V) ELV1 ELV (120V) / Unv (120/277V) LO1U Lutron PEQ EcoSystem 0.1% / Unv (120/277V)	
	PS Pendant w/Stem ¹ S Surface	A Adjustable Accent (needs to be ordered with Optics)	15 1500lm	9D2W 90CRI/3000K-1800K	Z10U 0-10V 1% / Unv (120/277V) ELV1 ELV (120V) / Unv (120/277V) LO1U Lutron PEQ EcoSystem 0.1% / Unv (120/277V)	A Aluminum B Black (matte) W White (matte) RAL RAL Color ⁵ (std code)
			10 1000lm 15 1500lm 20 2000lm ⁴	927 90CRI/2700K 930 90CRI/3000K 935 90CRI/3500K 940 90CRI/4000K		
	PS Pendant w/Stem ¹ S Surface W Wall	DL Downlight ²	13 1250lm	9D2W 90CRI/3000K-1800K	LO1U Lutron PEQ EcoSystem 0.1% / Unv (120/277V)	A Aluminum B Black (matte) W White (matte) RAL RAL Color ⁵ (std code)
			15 1485lm	9D2W 90CRI/3000K-1800K	Z10U 0-10V 1% / Unv (120/277V) ELV1 ELV (120V) / Unv (120/277V)	
		WW Wall Wash	15 1500lm	9D2W 90CRI/3000K-1800K	Z10U 0-10V 1% / Unv (120/277V) ELV1 ELV (120V) / Unv (120/277V) LO1U Lutron PEQ EcoSystem 0.1% / Unv (120/277V)	
		DL Downlight ² WW Wall Wash	10 1000lm 15 1500lm 20 2000lm ⁴	927 90CRI/2700K 930 90CRI/3000K 935 90CRI/3500K 940 90CRI/4000K		
	W Wall	UDW Up/Down Wall Wash ³ (lumens shown divided equally up and down)	15 1500lm 20 2000lm 30 3000lm	927 90CRI/2700K 930 90CRI/3000K 935 90CRI/3500K 940 90CRI/4000K	Z10U 0-10V 1% / Unv (120/277V) ELV1 ELV (120V) / Unv (120/277V) LO1U Lutron PEQ EcoSystem 0.1% / Unv (120/277V) (Not available for 3000lm)	A Aluminum B Black (matte) W White (matte) RAL RAL Color ⁵ (std code)
W Wall	UD Up/Down Downlight ^{2,3} (lumens shown divided equally up and down)	10 1000lm 20 2000lm	927 90CRI/2700K 930 90CRI/3000K 935 90CRI/3500K 940 90CRI/4000K	Z10U 0-10V 1% / Unv (120/277V) ELV1 ELV (120V) / Unv (120/277V)	A Aluminum B Black (matte) W White (matte) RAL RAL Color ⁶ (std code)	
SUS Suspended 6' power/cord SUM Suspended 12' power/cord SUL Suspended 20' power/cord	UD Direct/ Indirect ^{2,5} (lumens shown divided equally up and down)	25 2500lm	9D2W 90CRI/3000K-1800K	Z10U 0-10V 1% / Unv (120/277V) ELV1 ELV (120V) / Unv (120/277V)	A Aluminum B Black (matte) W White (matte) RAL RAL Color ⁶ (std code)	
		20 2000lm 30 3000lm	927 90CRI/2700K 930 90CRI/3000K 935 90CRI/3500K 940 90CRI/4000K			

1. Pendant Stem (PS) mountings need to be ordered with a suspended stem kit accessory for pendants.
 2. Downlight (DL) and Suspended Direct/Indirect (SU_UD) styles need to be ordered with one Reflector.
 Wall Mount Direct/Indirect (WUD) styles need to be ordered with two Reflectors.
 3. Nominal lumens shown is total luminaire, divided equally up and down. Both up and down are controlled on one circuit.
 4. The 2000lm (20) option is only available in Black (B) or White (W) finishes with ELV1/Z10U dimming.
 5. PCS/PCM/PCL mounting includes cable with matching finish to cylinder. RAL cylinder finish will be with a black cable.
 6. RAL standard colors can be specified upon request. Add RAL standard code to (RALxxxx).



C3C Calculite 3" Cylinder (round)

Pendant, surface, wall and suspended mount luminaires

Downlight Reflector (for downlight, up/downlight & direct/indirect)

Series	Beam	Finish
C3CR		
C3CR Calculite 3" Cylinder	N Narrow (33°) M Medium (55°) W Wide (62°)	CL Clear CC Comfort Clear CD Comfort Clear Diffuse CZ Champagne Bronze WH White (matte) BK Black (anodized) BT Black Textured (painted) WT White Textured (painted)

Suspended Stem Kit Accessories (for C3CPS pendant)

Series	Length	Finish
CASK Calculite Accessory w/Round Canopy Stem Kit	36 36 inches	AL Aluminum
CASQSK Calculite Accessory w/Square Canopy Stem Kit	48 48 inches	BK Black (matte)
	60 60 inches	WH White (matte)
	72 72 inches	RAL RAL Color ¹ (standard code)

Accessories (for all configurations)

Series	Finish
CAXTC Calculite Round Conduit Feed Through Canopy Extender	AL Aluminum
CASQXTC Calculite Square Conduit Feed Through Canopy Extender	BK Black (matte)
	WH White (matte)
	RAL RAL Color ¹ (standard code)

Adjustable Accent Optics (for C3CPSA & C3CSA accents)

Series	Beam
C3CO	
C3CO Calculite 3" Cylinder	NS Narrow Spot (18°) SP Spot (22°) NF Narrow Flood (36°)

Adjustable Accent Accessories (for C3CPSA & C3CSA accents)

Series	Finish
C3CAH Calculite 3" Cylinder Accessory Holder	AL Aluminum
LC20SN Snoot	BK Black (matte)
	WH White (matte)
	RAL RAL Color ¹ (standard code)
LC20HC Hex cell Louver (needs to be ordered with Accessory holder)	(matte black only)

1. RAL standard colors can also be specified upon request. Add RAL standard code to (RALxxxxx). 2000lm (20) available only in black and white..

Housing

Cylinder:

Extruded aluminum

Canopy:

Installation onto a 3" or 4"x1.5" octagonal junction box.

Surface mounting (C3CS):

Mounts directly to junction box.

Pendant cable mounting (C3CPC):

Canopy and field adjustable power cable included.

Cylinder provided complete with canopy kit and 5-wire conductor cable. Cable finish matches that of cylinder for A, B, W finishes, and is black for RAL cylinder finish.

Pendant stem mounting (C3CPS):

Order with CASK or CASQSK stem accessory.

Wall mounting (C3CW):

Pre-attached hardware allows for simple installation into wall mounted junction box.

Suspended cable mounting (C3CSU):

Canopy and field adjustable power cables included.

Drivers

Z10U: 0-10V 1% / Universal (120/277V)

ELV1: Electronic low voltage (120V ELV dimming) / Universal (120/277V)

LO1U: Lutron PEQ EcoSystem (Dim to 0.1%) / Universal (120/277V), Lutron Hi-lume Premier 0.1% EcoSystem Small Form Factor LED Driver with Soft-On, Fade to Black Dimming Technology

Optical systems

Downlight & Direct/Indirect:

True 50° physical cutoff and 45° reflected cutoff.

Wall Wash:

Polycarbonate TIR lens provides uniform distribution on the wall with minimal gap between luminaire and wall.

Suspended Downlight/Uplight:

True 50° physical cutoff and 45° reflected cutoff. Very Wide Flood distribution optical lens.

Quality of light:

2 SDCM ensures color consistency from fixture to fixture and over the luminaire's long lifetime.

Proprietary optical grade silicone lens with patterned surface provides soft, even beam diffusion without hotspots or dark rings.

Lumen packages

Lumen Maintenance: Predicted 70% lumen maintenance at 64,000 hrs.

Direct/Indirect: Can be ordered with different up and down lumen outputs up to published maximum through Special Order Process. Wall mount nominal lumens are total for luminaire divided up and down, and controlled on one circuit. Suspended nominal lumens are each up and down, and may be controlled on separate circuits.

Canopy Extender Accessories

Round (CAXTC) and square (CASQXTC) canopy extenders are available to accommodate direct conduit feed. Covers conduit connector (by others) for finished look. Specify finish per ordering matrix above. Use with standard 3" or 4"x1.5" octagonal junction box (by others). See page 8 for dimensions and illustrations.

Pendant accessories

Stem mounting kit accessory: Steel stem, 0.375" diameter (1/8" National Pipe Thread. 5-wire conductor cable runs alongside of stem for power and dimming. Magnetic attachment of canopy to junction box provides clean look free of hardware. Self-aligning swivel mounting system ensures cylinder hangs straight down. Stem can be cut in field for length adjustment. A 1/8" hole is required to reconnect the pendant stem to the canopy swivel.

ENERGY STAR® exceptions

- For Downlights (DL), only Clear (CL) and Comfort Clear (CC) finishes are ENERGY STAR® certified.
- Wall mount up/down (WUD, WUDW) and suspended direct/indirect (SU_UD) models are not certified.
- All 2000lm 2700K downlight configurations.

Labels and Listings

- cULus listed for damp locations
- ENERGY STAR® certified
- RoHS certified

Warranty



5 year limited warranty
Visit Signify.com/warranties for more information on Signify's standard 5-year limited warranty on complete luminaire systems.

C3C Calculite 3" Cylinder (round)

Pendant, surface, wall and suspended mount luminaires

Electrical

Series	Dimming	Lumens	Voltage	Amps	Wattage	
C3CPCSDL C3CPCMDL C3CPCLDL C3CPSDL C3CSDL C3CWDL C3CWUD C3CPSWW C3CSWW C3CWWW	ELV	1000lm	120V	0.1	11.8	
		1500lm		0.17	20.6	
		2000lm		0.19	22.8	
		1000lm	277V	0.05	11.7	
		1500lm		0.089	19.9	
		2000lm		0.128	28.1	
	0-10V	1000lm	120V	0.11	12.6	
		1500lm		0.19	23.1	
		2000lm		0.24	28.6	
		1000lm	277V	0.05	12.9	
		1500lm		0.078	20.5	
		2000lm		0.108	28.3	
	Lutron	1000lm	120V	0.11	14	
		1500lm		0.17	22	
		1000lm	277V	0.074	12	
1500lm		0.1		20.1		
C3CPCSDL_9D2W C3CPCMDL_9D2W C3CPCLDL_9D2W C3CPSDL_9D2W C3CSDL_9D2W C3CWDL_9D2W C3CWUD_9D2W	ELV	1300m	120V	0.16	19.5	
		1500lm		0.2	24	
		1300m	277V	0.16	19.5	
		1500lm		0.12	24	
	0-10V	1300m	120V	0.16	19.5	
		1500lm		0.2	24	
		1300m	277V	0.16	19.5	
		1500lm		0.12	24	
	Lutron	1300lm	120V	0.16	19.5	
				277V	0.12	24
	C3CWUD	ELV	1000lm	120V	0.2	24
				277V	0.12	24
0-10V		1000lm	120V	0.2	24	
	277V		0.09	24		
C3CWUDW	ELV	1000lm	120V	0.17	20	
			277V	0.09	20	
	0-10V	1000lm	120V	0.17	20	
			277V	0.07	20	
	Lutron	1000lm	120V	0.17	20	
			277V	0.1	20	
C3CWUDW_9D2W	ELV	1000lm	120V	0.19	22	
		1000lm	277V	0.08	22	
	0-10V	1000lm	120V	0.19	22	
		1000lm	277V	0.08	22	

Series	Dimming	Lumens	Voltage	Amps	Wattage
C3CPSA C3CSA	ELV	1000lm	120V	0.081	10.7
		1500lm		0.132	18
		2000lm		0.21	26
		1000lm	277V	0.071	10.7
		1500lm		0.08	21
		2000lm		0.12	33
	0-10V	1000lm	120V	0.091	12
		1500lm		0.14	18
		2000lm		0.2	24
		1000lm	277V	0.05	12
		1500lm		0.07	18
		2000lm		0.09	25
Lutron	1000lm	120V	0.1	12	
	1500lm		0.14	18	
	1000lm	277V	0.07	12	
	1500lm		0.09	25	
C3CSUS C3CSUM C3CSUL	ELV	2000lm	120V	0.2	25
		3000lm		0.35	42
		2000lm	277V	0.11	25
		3000lm		0.18	42
	0-10V	2000lm	120V	0.2	25
		3000lm		0.35	42
		2000lm	277V	0.11	25
		3000lm		0.18	42
C3CSUS_9D2W C3CSUM_9D2W C3CSUL_9D2W	ELV	1250lm	120V	0.33	40
			277V	0.17	40
	0-10V	1250lm	120V	0.33	40
			277V	0.17	40

ELV

Input	Brand	Dimming Type	Model No.	Minimum dimming	
120V	Lutron	Trailing edge	DVELV-303P	2%	
			NTELV-600	2%	
			MAELV-600	2%	
			SELV-300P	2%	
			Leading edge	DV-600P	2%
				DVLV-600P	2%
		NFTU-5A		2%	
		CTCL-153P		2%	
		GL-600H		2%	
		S-600P		2%	
		S-600P	2%		
		Leviton	-	IPE04	2%
	Philips	-	CP400RPC120	2%	

Lutron

Input	Brand	Model No.	Minimum dimming		
120V	Lutron	QSN-1ECO-S	L01U (0.1%)		
		QSN-2ECO-S	L1U (1%)		
		QSGRJ-_E (wireless)			
		QSGR-_E (wireless)			
		QP2-_ _ 2C			
		QP2-_ _ 4C			
		QP2-_ _ 6C			
		QP2-_ _ 8C			
		LQSE-2ECO-D			
		120/277V	Lutron	RMJ-ECO32-DV-B	L01U (0.1%)
				FCJ/FCJS-ECO1	L1U (1%)

0-10V

Input	Brand	Model No.	Minimum dimming
120/277V	Lutron	SR1200ZTUNV	1%
	Leviton	IP7 series	1%
	Philips	SR1200ZTUNV	1%

C3C Calculite 3" Cylinder (round)

Pendant, surface, wall and suspended mount luminaires

Reflector Finishes



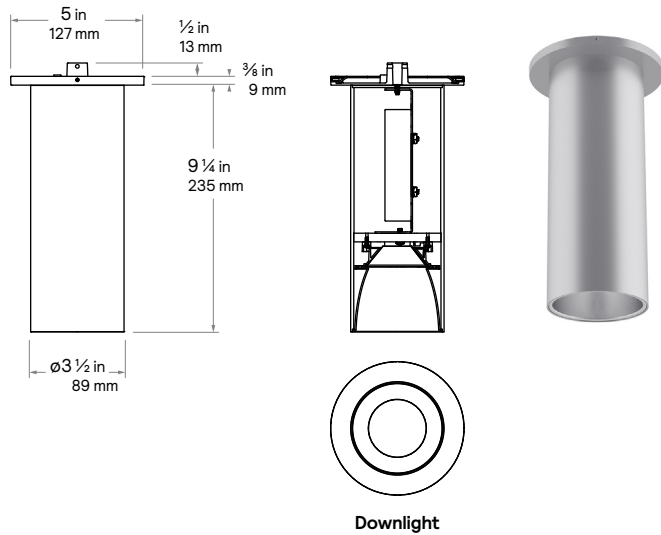
1. **Specular clear (CL):** Most specular and most efficient finish, delivers maximum photometric performance but can produce a mirror image effect of the interior space.
2. **Comfort clear (CC):** Semi-specular finish that softens the light at the source of the reflector and creates a subtle, even luminance from the reflector cone.
3. **Comfort clear diffuse (CD):** Slightly diffuse clear finish, that eliminates iridescence and reduces the mirror image effect inherent with specular finishes.

4. **White (WH):** Brightest illuminated aperture (matte white) and provides the smoothest transition to most ceilings when off.
5. **Black (BK):** Specular finish (anodized) that provides the lowest aperture brightness possible and significantly reduces source identification in a ceiling.
6. **Champagne bronze (CZ):** Semi-specular finish that softens light at the source of the reflector while providing a warmer reflector appearance (slightly warmer).

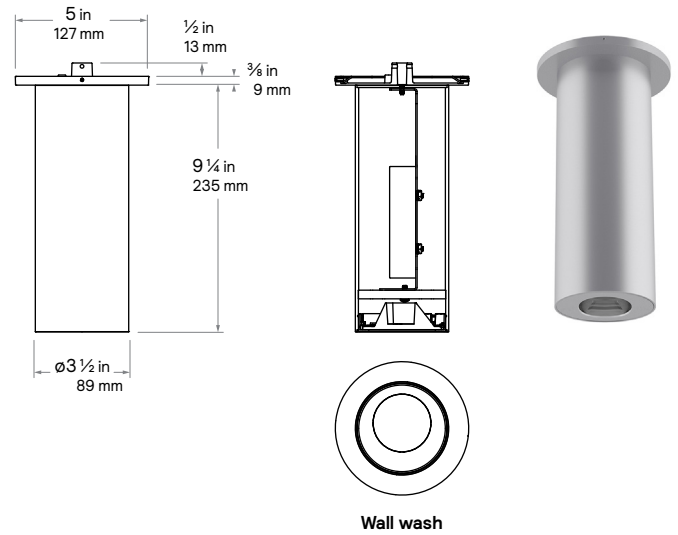
C3C Calculite 3" Cylinder (round)

Pendant, surface, wall and suspended mount luminaires

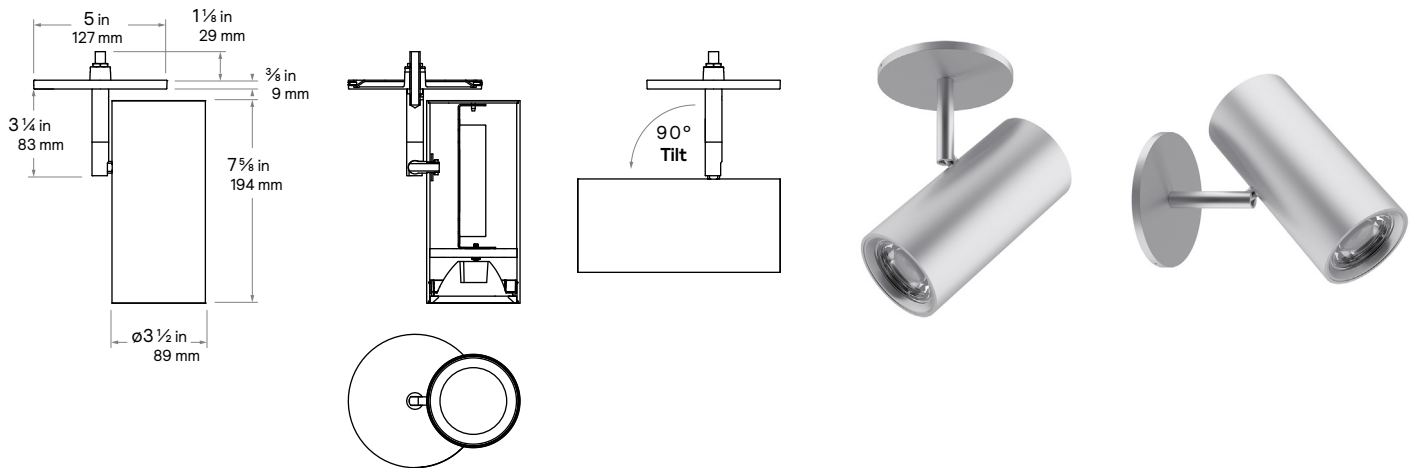
Downlight Surface Mount



Wall Wash Surface Mount



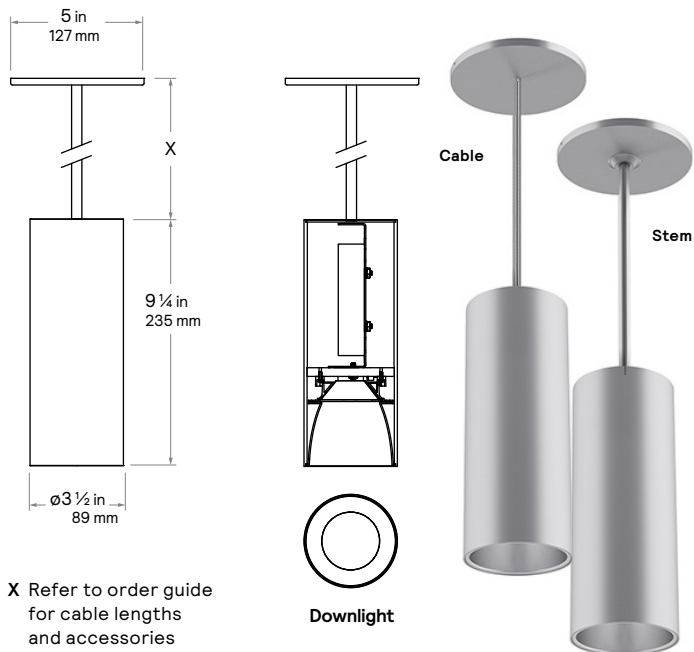
Adjustable Accent Surface Mount (Ceiling or wall)



C3C Calculite 3" Cylinder (round)

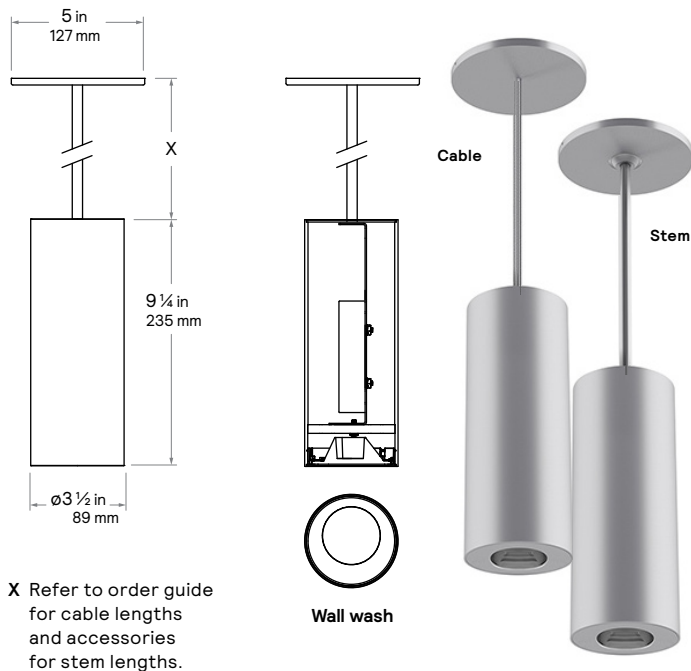
Pendant, surface, wall and suspended mount luminaires

Downlight Pendant Mount (with cable or stem)



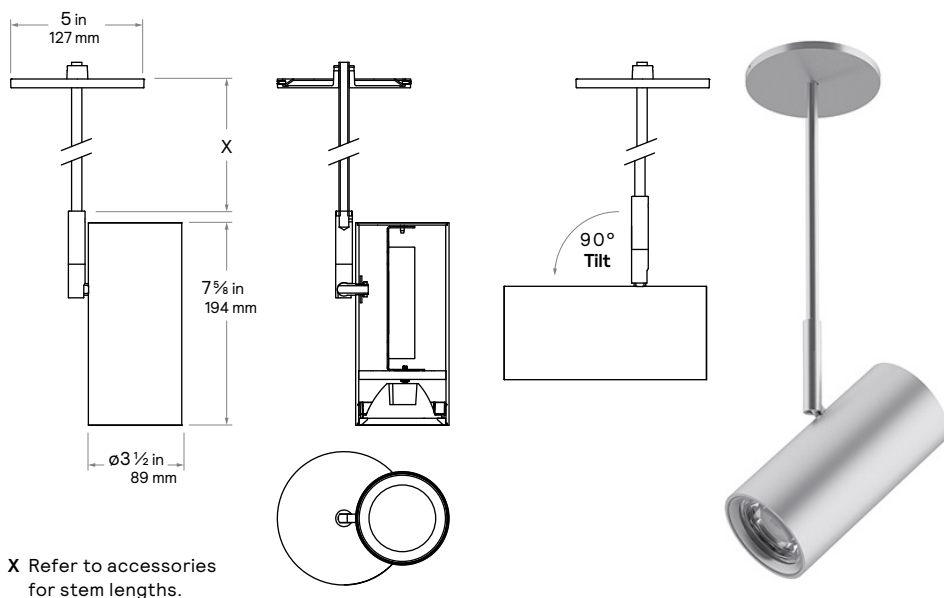
X Refer to order guide for cable lengths and accessories for stem lengths.

Wall Wash Pendant Mount (with cable or stem)



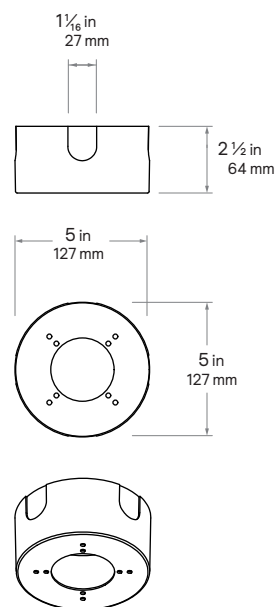
X Refer to order guide for cable lengths and accessories for stem lengths.

Adjustable Accent Pendant Mount



X Refer to accessories for stem lengths.

Canopy Extender

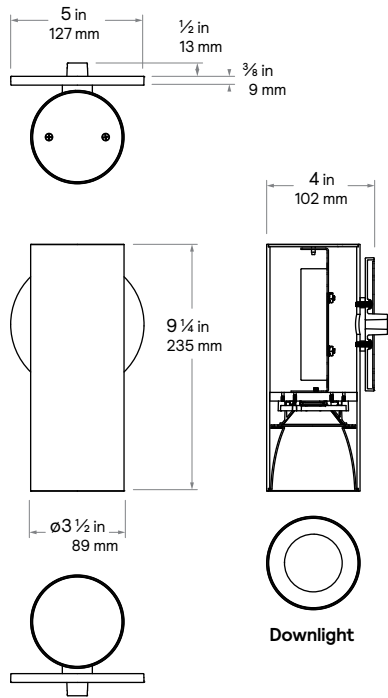


Use with standard 3" or 4"x1.5" octagonal junction box. Additional details and options on page 8.

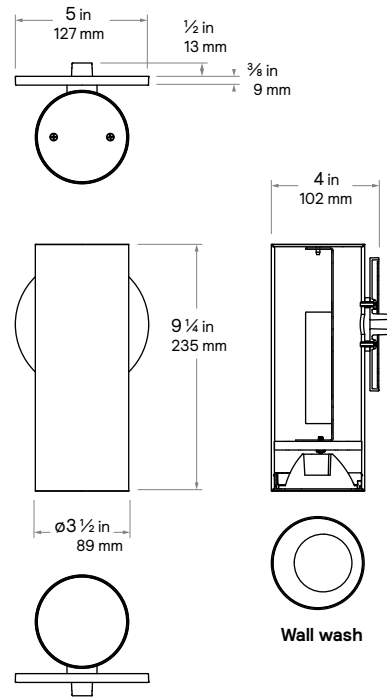
C3C Calculite 3" Cylinder (round)

Pendant, surface, wall and suspended mount luminaires

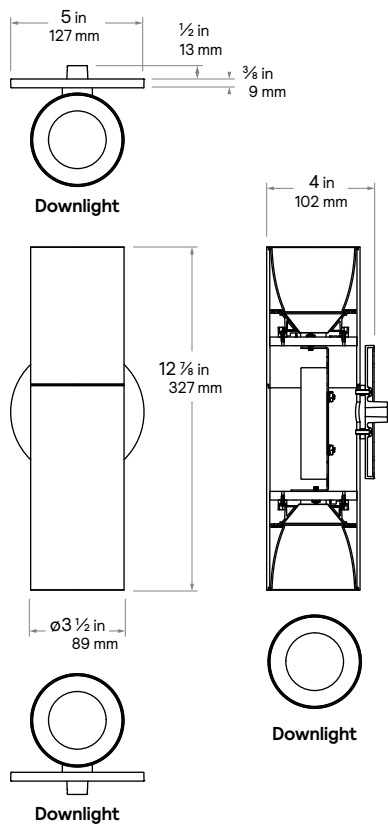
Downlight Wall Mount



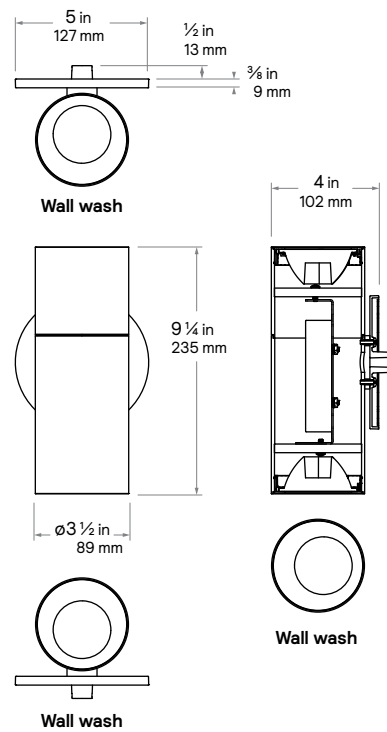
Wall Wash Wall Mount



Up/Downlight Wall Mount



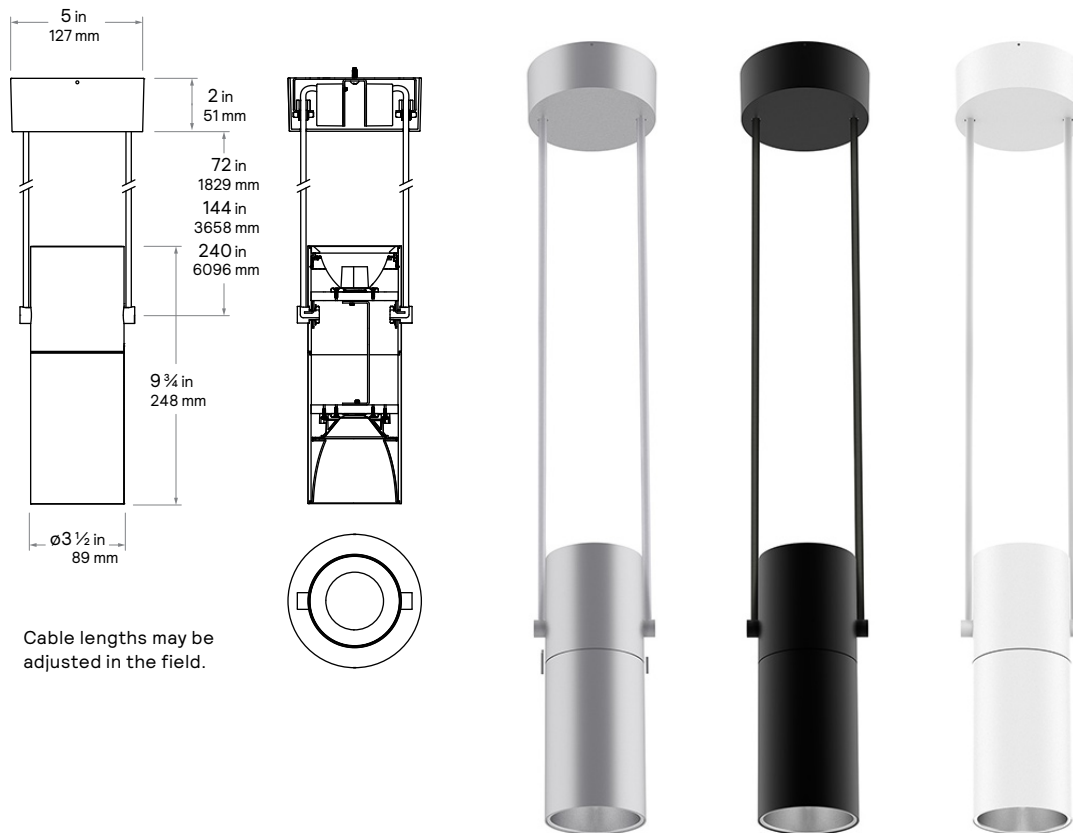
Up/Down Wall Wash Wall Mount



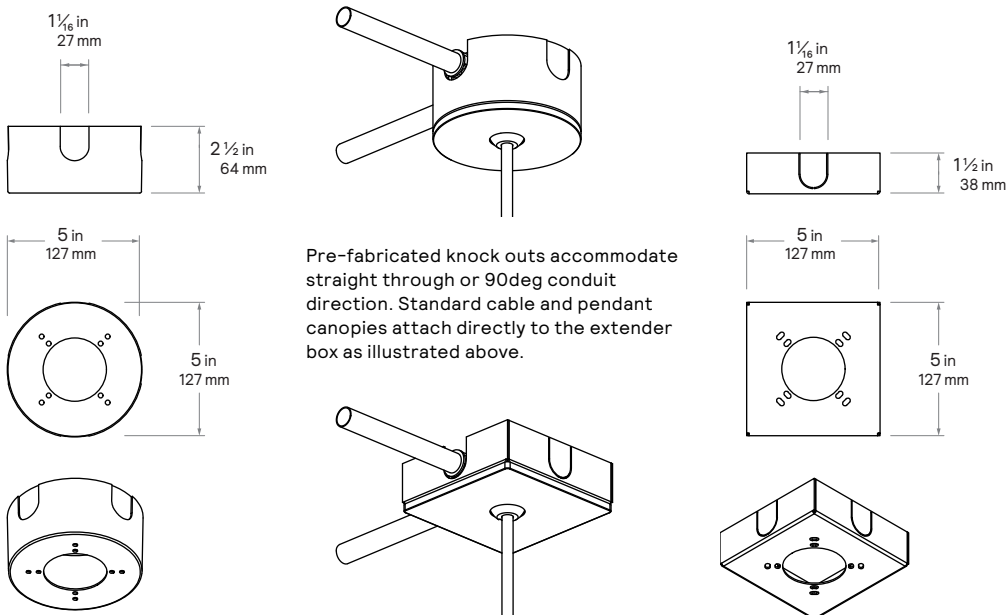
C3C Calculite 3" Cylinder (round)

Pendant, surface, wall and suspended mount luminaires

Up/Down Suspended Mount



Canopy Extender



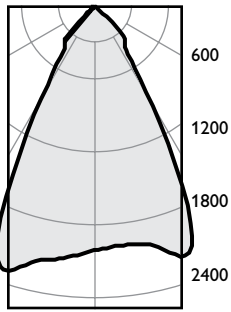
Use with standard 3" or 4"x1.5" octagonal junction box.

C3C Calculite 3" Cylinder (round)

Pendant, surface, wall and suspended mount luminaires

Downlight, 2000lm engine, 71.7 lm/W at 29W

Candela Curve



Fixture: **C3CSDL20935Z10UB**
Reflector: **C3CRWCL**

Output lumens: 2080 lms
Input watts: 29 W*
CRI: 90 min
CCT¹: 3500K
Spacing Crit.: 1.04

*Wattage controlled to within 5%.

Zonal summary

Zone	Lumens	%Luminaire
0-30	1568	75.4%
0-40	1898	91.3%
0-60	2073	99.7%
0-90	2080	100.0%

Angle	MeanCP	Lumens
0	2011	
5	1987	
10	1993	194
15	2055	
20	2190	608
25	1815	
30	953	767
35	484	
40	382	329
45	282	
50	32	168
55	8	
60	4	8
65	2	
70	1	2
75	1	
80	0	
85	0	
90	0	

Single unit data

Height to lighted plane	Initial center beam foot-candles	Beam diameter (ft)*
5'	80	5.2'
6'	56	6.2'
7'	41	7.3'
8'	31	8.3'
9'	25	9.4'

* Beam diameter is where foot-candles drop to 50% of maximum.

Multiple unit data - RCR 2

Spacing on center	Initial center beam foot-candles	Watts per sq. ft.
5'	95.0	1.29
6'	62.0	0.84
7'	44.0	0.60
8'	37.0	0.50
9'	30.0	0.40

38' x 38' x 10' Room, Workplane 2.5' above floor, 80/50/20% Reflectances

Efficacy: **71.7lm/w**
Report²: LRQB2240-07

Adjustment Factors

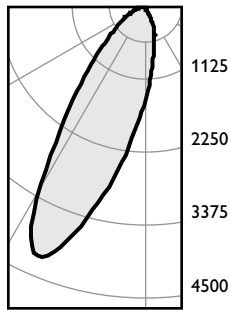
Finish	CR1/CCT
CL = 100%	WT = 86%
CC = 95%	WH = 77%
CD = 85%	BK = 40%
	BT = 34%
	90CRI 4000K = 104%
	90CRI 3500K = 100%
	90CRI 3000K = 96%
	90CRI 2700K = 90%

Coefficients of utilization

Ceiling	80%				70%				50%				30%				0%
	70	50	30	10	50	10	50	10	50	10	50	10	50	10	50	10	0
RCR	Zonal cavity method - Effective floor reflectance = 20%																
Room Cavity Ratio	0	119	119	119	116	116	111	111	106	106	100						
	1	114	111	108	106	109	104	105	101	101	98	94					
	2	108	103	99	96	101	95	98	93	95	91	87					
	3	103	96	91	88	95	87	92	85	90	84	81					
	4	98	90	85	80	89	80	87	79	85	78	76					
	5	93	84	79	74	83	74	82	73	80	73	71					
	6	88	79	73	69	78	69	77	68	75	68	66					
	7	84	75	69	64	74	64	73	64	71	63	62					
	8	80	70	64	60	70	60	69	60	67	60	58					
	9	76	66	60	56	66	56	65	56	64	56	54					
	10	72	63	57	53	62	53	61	53	61	53	51					

Wall Wash, 2000lm engine, 82.6 lm/W at 29W

Candela Curve



Fixture: **C3CSWW20935**

Output lumens: 2396 lms
Input watts: 29 W*
CRI: 90 min
CCT¹: 3500K
Candela: 4191

*Wattage controlled to within 5%.

Multiple unit data

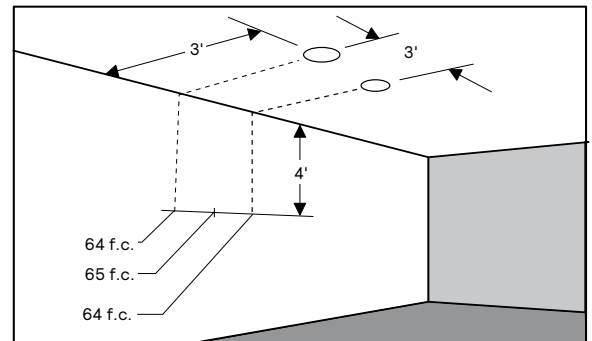
Footcandles on wall

Distance from ceiling in feet	3' from wall		
	3' on ctr.		
1	17	16	17
2	37	36	37
3	53	52	53
4	64	65	64
5	70	71	70
6	67	69	67
7	57	59	57
8	46	48	46
9	36	38	36
10	29	30	29
11	23	24	23
12	19	19	19

Multiple unit data

Footcandles on wall

Distance from ceiling in feet	3' from wall		
	4' on ctr.		
1	14	8	14
2	32	22	32
3	44	33	44
4	53	44	53
5	56	51	56
6	51	50	51
7	41	44	41
8	32	36	32
9	25	28	25
10	20	21	20
11	16	17	16
12	13	13	13



Efficacy: **82.6 lm/w**
Report²: LRQB2240-30

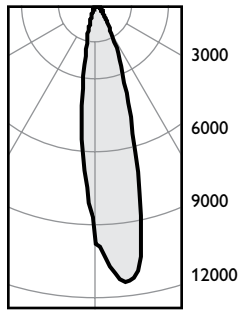
1. Correlated Color Temperature within specs as defined in ANSI_NEMA_ANSLG C78.377-2008: Specifications for the Chromaticity of Solid State Lighting Products.
2. Tested using absolute photometry as specified in LM79: IESNA Approved Method for the Electrical and Photometric Measurements of Solid-State Lighting Products.

C3C Calculite 3" Cylinder (round)

Pendant, surface, wall and suspended mount luminaires

Downlight (Wall Mount), 2000lm engine, 88.7 lm/W at 29W

Candela Curve



Fixture: **C3CSWW20935Z10UB**

Output lumens: 2572 lms
 Input watts: 29 W*
 CRI: 90 min
 CCT¹: 3500K

*Wattage controlled to within 5%.

Zonal summary

Zone	Lumens	%Luminaire
0-30	2152	83.7%
0-40	2362	91.8%
0-60	2527	98.3%
0-90	2572	100.0%

Angle	MeanCP	Lumens
0	9729	
5	11244	
10	10436	769
15	6223	
20	3374	943
25	1936	
30	1066	439
35	634	
40	412	210
45	308	
50	229	108
55	161	
60	112	57
65	75	
70	48	27
75	28	
80	14	10
85	1	
90	0	

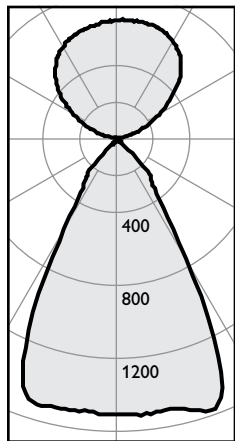
Coefficients of utilization

Ceiling	80%				70%		50%		30%		0%	
	70	50	30	10	50	10	50	10	50	10	0	
Wall												
RCR	Zonal cavity method - Effective floor reflectance = 20%											
Room Cavity Ratio	0	119	119	119	119	116	116	111	111	106	106	100
	1	112	109	106	103	107	102	103	98	99	95	91
	2	105	99	94	90	97	89	94	87	91	85	81
	3	98	90	84	79	88	78	86	77	83	76	72
	4	91	82	75	69	80	69	78	68	76	67	65
	5	85	74	67	62	73	61	71	61	70	60	58
	6	79	68	61	55	67	55	65	55	64	54	52
	7	74	62	55	50	62	50	60	49	59	49	47
	8	69	57	50	45	57	45	56	45	54	44	42
	9	65	53	46	41	52	41	51	41	50	40	39
	10	61	49	42	37	49	37	48	37	47	37	35

Efficacy: **88.7lm/w**
 Report²: LRQB2240-34

Downlight (Suspended Up/Dn), 1500lm engine, 80.0 lm/W at 40W

Candela Curve



Fixture: **C3CSUS15935**

Output lumens: 3395 lms
 Input watts: 40 W*
 CRI: 90 min
 CCT¹: 3500K

*Wattage controlled to within 5%.

Zonal summary

Zone	Lumens	%Luminaire
0-30	1107	32.6%
0-40	1362	40.1%
0-60	1505	44.3%
0-90	1516	44.7%

Angle	MeanCP
0	1501
5	1511
10	1500
15	1526
20	1567
25	1307
30	750
35	398
40	283
45	197
50	40
55	17
60	9
65	5
70	3
75	2
80	1
85	0
90	0

Zonal summary

Zone	Lumens	%Luminaire
90-120	524	15.4%
90-130	877	25.8%
90-150	1555	45.8%
90-180	1879	55.3%
0-180	3395	100.0%

Angle	MeanCP
95	0
100	0
105	5
110	51
115	104
120	154
125	281
130	354
135	430
140	494
145	546
150	584
155	613
160	642
165	647
170	646
175	644
180	641

Coefficients of utilization

Ceiling	80%				70%		50%		30%		0%	
	70	50	30	10	50	10	50	10	50	10	0	
Wall												
RCR	Zonal cavity method - Effective floor reflectance = 20%											
Room Cavity Ratio	0	119	119	119	119	116	116	111	111	106	106	100
	1	112	109	106	103	107	102	103	98	99	95	91
	2	105	99	94	90	97	89	94	87	91	85	81
	3	98	90	84	79	88	78	86	77	83	76	72
	4	91	82	75	69	80	69	78	68	76	67	65
	5	85	74	67	62	73	61	71	61	70	60	58
	6	79	68	61	55	67	55	65	55	64	54	52
	7	74	62	55	50	62	50	60	49	59	49	47
	8	69	57	50	45	57	45	56	45	54	44	42
	9	65	53	46	41	52	41	51	41	50	40	39
	10	61	49	42	37	49	37	48	37	47	37	35

Efficacy: **85.0lm/w**
 Report²: -

1. Correlated Color Temperature within specs as defined in ANSI_NEMA_ANSI C78.377-2008: Specifications for the Chromaticity of Solid State Lighting Products.
 2. Tested using absolute photometry as specified in LM79: IESNA Approved Method for the Electrical and Photometric Measurements of Solid-State Lighting Products.

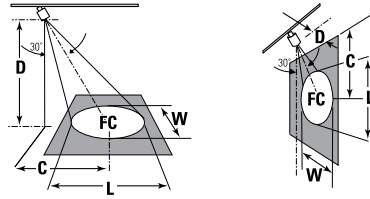
C3C Calculite 3" Cylinder (round)

Pendant, surface, wall and suspended mount luminaires

Aiming angles

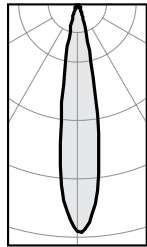
L and W are the outer points where the candle power drops to 50% of the maximum. FC are the initial footcandles at the center of the beam. Data shown is for 3000K, use the table on the right for CRI/CCT adjustment factors.

FC Footcandles
L Beam length
W Beam Width
D Distance
A Aiming Angle
C Distance to center beam
CBCP Center Beam Candlepower



Adjustment Factors

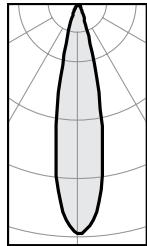
Finish		CRI/CCT
CL = 100%	WT = 85%	90CRI 4000K = 104%
CC = 97%	WH = 82%	90CRI 3500K = 100%
CD = 86%	BK = 50%	90CRI 3000K = 96%
CZ = 64%	BT = 46%	90CRI 2700K = 90%



Fixture: **C3CSA20935**
 Reflector: **C3CONS**
 Output lumens: 2123 lms
 Input watts: 25W
 CRI: 90 min
 CCT¹: 3500K
 CBCP: 15,573 cd
 Beam Angle: 18°
Efficacy: 84.9 lm/w
 Report²: LRQB2240-38

Narrow, 2000lm engine, 84.9 lm/W at 25W

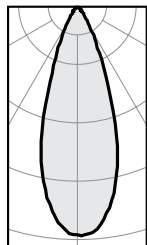
30° Horizontal Aiming					30° Vertical Aiming				
Distance		F.C.	Beam		Distance		F.C.	Beam	
D	C		L	W	D	C		L	W
6	3.5	281	2.6	2.2	2	3.5	487	2.7	1.3
8	4.6	158	3.4	2.9	3	5.2	216	4.1	1.9
10	5.8	101	4.3	3.7	4	6.9	122	5.5	2.5
12	6.9	70	5.1	4.4	5	8.7	78	6.9	3.2



Fixture: **C3CSA20935**
 Reflector: **C3COSP**
 Output lumens: 2132 lms
 Input watts: 25W
 CRI: 90 min
 CCT¹: 3500K
 CBCP: 11,774 cd
 Beam Angle: 22°
Efficacy: 85.3 lm/w
 Report²: LRQB2240-41

Spot, 2000lm engine, 85.3 lm/W at 25W

30° Horizontal Aiming					30° Vertical Aiming				
Distance		F.C.	Beam		Distance		F.C.	Beam	
D	C		L	W	D	C		L	W
6	3.5	212	3.1	2.7	2	3.5	368	3.5	1.6
8	4.6	119	4.2	3.6	3	5.2	164	5.3	2.3
10	5.8	76	5.2	4.5	4	6.9	92	7.0	3.1
12	6.9	53	6.3	5.4	5	8.7	59	8.8	3.9



Fixture: **C3CSA20935**
 Reflector: **C3CONF**
 Output lumens: 2282 lms
 Input watts: 25W
 CRI: 90 min
 CCT¹: 3500K
 CBCP: 5,375 cd
 Beam Angle: 36°
Efficacy: 91.3 lm/w
 Report²: LRQB2240-44

Narrow Flood, 2000lm engine, 91.3 lm/W at 25W

30° Horizontal Aiming					30° Vertical Aiming				
Distance		F.C.	Beam		Distance		F.C.	Beam	
D	C		L	W	D	C		L	W
6	3.5	97	5.4	4.5	2	3.5	168	7.6	2.6
8	4.6	55	7.2	6.0	3	5.2	75	11.4	3.9
10	5.8	35	9.0	7.5	4	6.9	42	15.2	5.2
12	6.9	24	10.8	9.0	5	8.7	27	19.0	6.5

1. Correlated Color Temperature within specs as defined in ANSI_NEMA_ANSLG C78.377-2008: Specifications for the Chromaticity of Solid State Lighting Products.
 2. Tested using absolute photometry as specified in LM79: IESNA Approved Method for the Electrical and Photometric Measurements of Solid-State Lighting Products.

