



Lighting inspired by nature

We have become the indoor generation

On average, we spend more than 90% of our time indoors, where we do not get sufficient access to daylight that can help us feel happy and healthy¹.

The exposure to the right amounts and quality of light during the day strongly impacts our mood, energy levels, comfort, quality of sleep and our health and wellbeing in general.

NatureConnect brings the benefits of natural light indoors

The NatureConnect natural lighting system is built on proven Biophilic Design principles to reconnect us with the constant cycles and variations of nature for comfortable, engaging and attractive indoor environments.

Benefits of NatureConnect

Light is as fundamental to life as food, water and air. Research confirms that it enables us to see better, function better and feel better².

Enhance wellbeing



Supports the body's natural day-night rhythm to stay active during the day and rest well at night.

Boost performance



Can help people feel more energetic and stimulate interaction and collaboration³.

Create an inspiring environment



Enhances your company identity by creating a vibrant, joyful and immersive atmosphere.

1. 2019 Cigna 360 Well-Being Survey, Well and Beyond
2. Baron KG, Reid K. J., Int Rev Psychiatry 2014, 26(2) p.139-154.
3. Fernandez et al Light Affects Mood and Learning through Distinct Retinal Brain Pathways, Cell, Vol.175, Issue 1, Sept. 20, 2018

Solution

NatureConnect combines various LED luminaires for a fully immersive natural experience.



Daylight

Mimics the daily rhythm of the sun to help people stay active during the day and rest well at night.



Skylight

Provides a view to the sky to create a feeling of spaciousness and connection with nature.



Lightscape

Applies natural colors and dynamics on the wall for a fully immersive experience.



Light behavior

Intuitive user interfaces allow the user to choose between the automatic Day Rhythm or a specific natural Light Scene such as those below.

Day Rhythm

The Day Rhythm mode automatically provides dynamic light throughout the day, following the rhythm of the sun to ensure you experience the right light at the right time of day.



Light Scenes

The natural Light Scenes can be used to tailor the environment to the user's specific activities and needs.



Energize

Get an instant energy boost



Relax

Relax and clear your mind



Present

Focus your attention

Learn more at www.ledalite.com/natureconnect

Ledalite NatureConnect

Natural lighting system

Technical specifications



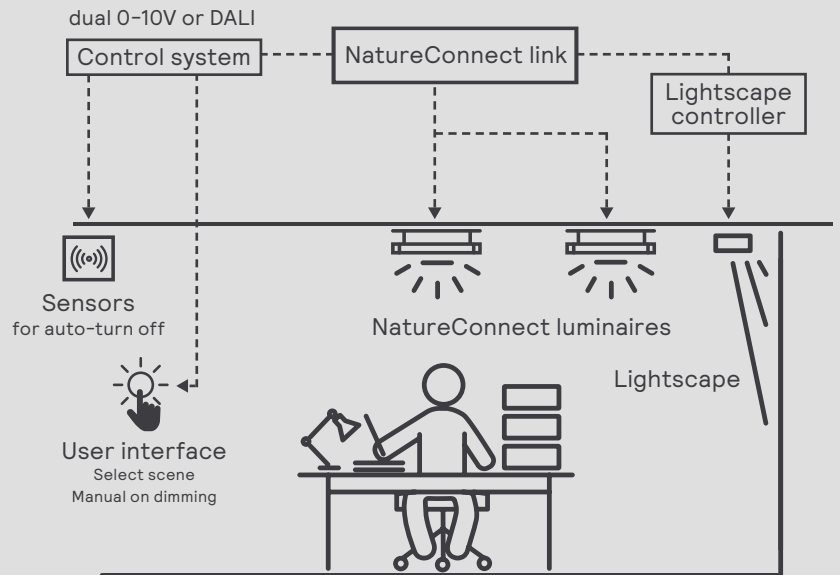
NatureConnect System

NatureConnect is a completely functional system that doesn't require commissioning.

The NatureConnect link automatically creates the right light settings and works with presence sensor(s) and user interface(s) and limits power usage of each luminaire to the "energy code rated power" for energy code compliance.

In larger installations the NatureConnect link can be integrated with an external lighting control system. DALI or 0-10V (e.g. with Dynalite) is possible. The system can use a dual 0-10V input to allow control of brightness for daylight regulation, set the scene, or turn the system off. It is designed to be compatible with any control system that supports 0-10V.

The NatureConnect link addresses the luminaires and performs the dual role of content generator and power budget limit enforcer. There is an optional ethernet connection enabling software updates and customizations needs.



NatureConnect Windows tool:

- Time, location configuration (time-zone), firmware updates

Ethernet

DALI IN

2x 0-10V

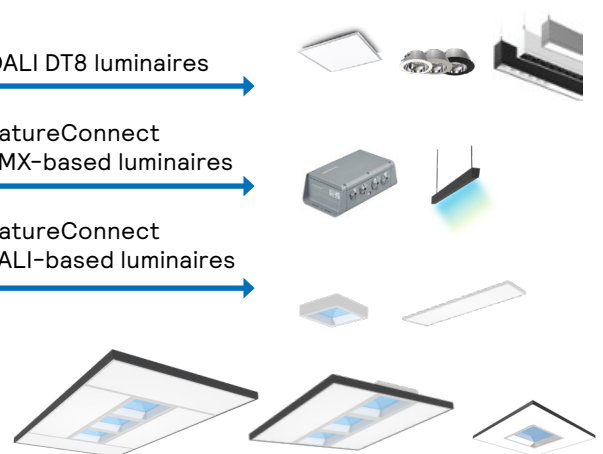
NatureConnect link



DALI DT8 luminaires

NatureConnect DMX-based luminaires

NatureConnect DALI-based luminaires

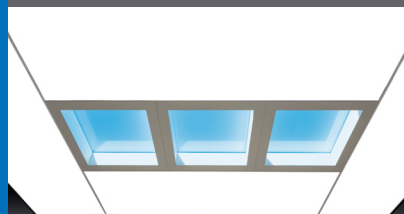


Lighting Control System to offer:

- Sensors & User Interfaces

Ledelite NatureConnect

Natural lighting system



Technical specifications

Large island 6' x 10'

NatureConnect Islands bring the benefits of natural light indoors. They reconnect us with the constant cycles and variations of nature to create healthy, engaging and attractive environments.

General Information

Daylight luminaires	4
Skylight luminaires	3
Maximum electrical power	312W
Energy code rated power ¹	182W
Light output	25,500lm
Warranty period	5 years

Operating and Electrical

Input voltage	120-277V
Input frequency	50-60Hz
Input current	2.53A @ 120V
Power factor (min. @120V)	0.9
THD	<20%
Products per MCB (15A)	5
Maximum daisy chain output current	13.0A

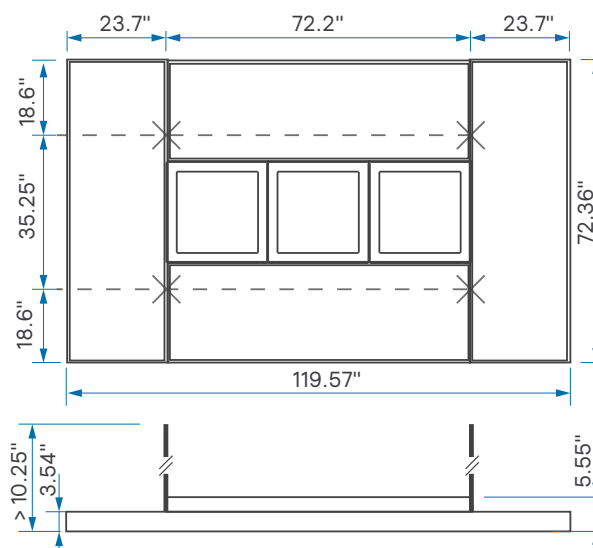
Mechanical

Dimensions (LxWxH) (suspended)	119.57" x 72.36" x 5.55" 3,037 x 1,838 x 141mm
Dimensions (LxWxH) (recessed)	121.14" x 73.93" x 5.55" 3,077 x 1,878 x 141mm
Frame material	Steel
Frame color	Dark grey RAL7043
Luminaire color	White RAL9003
Net weight product	275lbs (125kg)

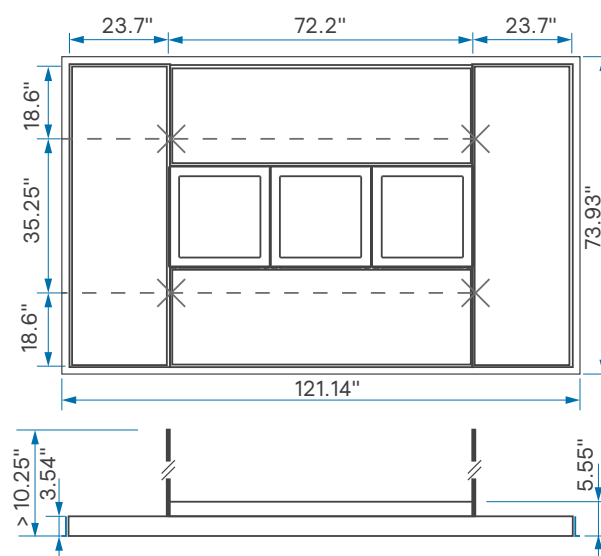
Product Data (daylight panels to be ordered separately)³

Description	Catalog Code	12NC
Large Island 6x10 Recessed Frame & Skylights	NCFG100	912401564422
Large island 6x10 Suspended Gray	NCFG110	912401564423

Large frame suspended



Large frame recessed



Specified data is valid for luminaire set at maximum power

1. Energy code rated power level and lumen output is provided when a large island is connected to a NatureConnect link.
2. Integration with the NatureConnect link controls (sold separately) provides static and dynamic scene selection with full NatureConnect content including Day Rhythm
3. Large islands require (2x) daylight 2x6 panel 2pk, NCFG325, 912401564432

Ledelite NatureConnect

Natural lighting system



Technical specifications

Small island 6' x 6'

NatureConnect Islands bring the benefits of natural light indoors. They reconnect us with the constant cycles and variations of nature to create healthy, engaging and attractive environments.

General Information

Daylight luminaires	2
Skylight luminaires	3
Maximum electrical power	228W
Energy code rated power ¹	133W
Light output	16,500lm
Warranty period	5 years

Operating and Electrical

Input voltage	120-277V
Input frequency	50-60Hz
Input current	1.83A @ 120V
Power factor (min. @120V)	0.9
THD	<20%
Products per MCB (15A)	7
Maximum daisy chain output current	14.0A

Mechanical

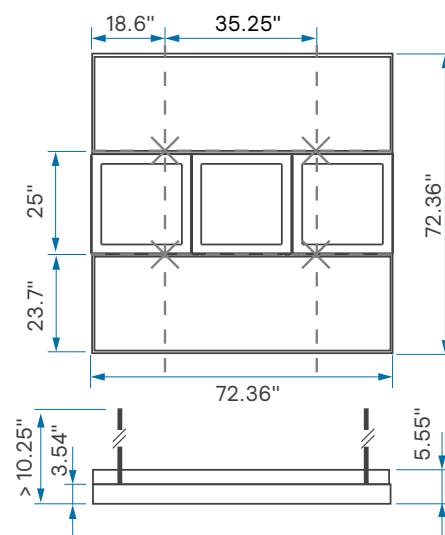
Dimensions (LxWxH) (suspended)	72.36" x 72.36" x 5.55" 1,838 x 1,838 x 141mm
Dimensions (LxWxH) (recessed)	73.93" x 73.93" x 5.55" 1,878 x 1,878 x 141mm
Frame material	Steel
Frame color	Dark grey RAL7043
Luminaire color	White RAL9003
Net weight product	225lbs (102kg)

Product Data

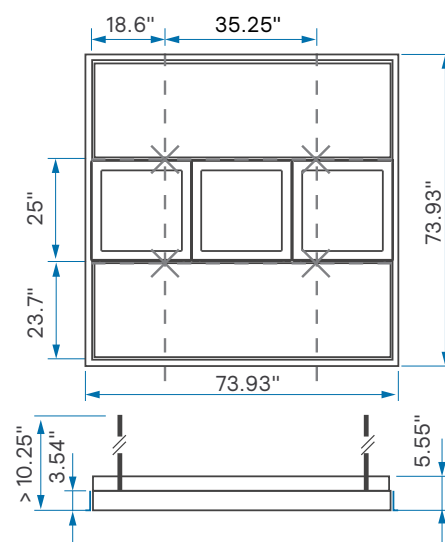
Description	Catalog Code	12NC
Small island 6x6 Recessed Gray	NCFG120	912401564424
Small island 6x6 Suspended Gray	NCFG130	912401564425

Note: Small islands require (1x) daylight 2x6 panel 2pk, NCFG325, 912401564432

Small frame suspended



Small frame recessed



Specified data is valid for luminaire set at maximum power

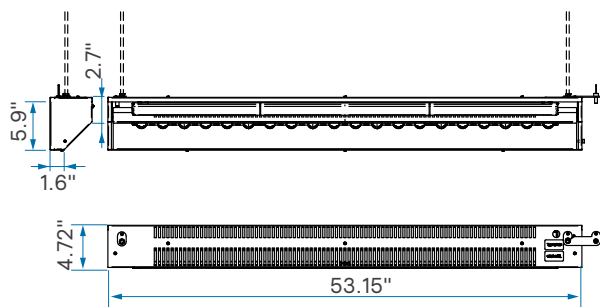
- Energy code rated power level and lumen output is provided when a small island is connected to a NatureConnect link.
- Integration with the NatureConnect link controls (sold separately) provides static and dynamic scene selection with full NatureConnect content including Day Rhythm.

Lightscape

NatureConnect Lightscape delivers vertical illumination and dynamic color gradients to the walls throughout the day contributing to the biological impact of the light.

General Information

Light source	Non-replaceable LED module
Light source color	RGBW
Integral driver	Yes
Driver/power unit/transformer	Non-replaceable integrated driver
Maximum electrical power	107W
Energy code rated power ¹	35W
Light output	3200lm
Color point SDCM	3
Luminaire beam angle	36° x 75°
Lumen maintenance	L ₈₀ 28,600hrs
Wiring	10', 4 leads AWG 16 (black, white, green, red)
Ambient temperature range	32 to 77°F (0 to +25°C)
Performace ambient temp. Tq	77°F (25°C)
Storage temperature	-4 to 158°F (-20 to +70°C)
Ingress protection code	IP20
Mech. impact protection code	IK02
Certification	cETLus
Warranty period	5 years



Specified data is valid for luminaire set at maximum power

Operating and Electrical

Input voltage	120-277V
Input frequency	50 to 60Hz
Input current	0.97A @120V
Power factor (120V)	0.9
Power factor (277V)	0.85
Products per MCB (15A)	13

Mechanical and Housing

Dimensions (LxWxH)	53.15" x 4.72" x 5.91" (1,350 x 120 x 150mm)
Housing material	Steel
Housing color	White RAL9003 or Dark grey RAL7043
Optical cover/lens type	Polycarbonate
Optical cover/lens finish	Lens
Net weight product	20lbs (9kg)

Product Data

Description (Luminaire & Controller)	Catalog Code	12NC
Lightscape White	NCFG500	912401564452
Lightscape Gray	NCFG510	912401564453
Lightscape Controller (DMX) ³	NCFG690	912401564454

Description (Mounting ⁴)	Catalog Code	12NC
NC A1 PWR MNT 48" NAM	NCFG410	912401564438
NC A1 NON PWR MNT 48" NAM	NCFG415	912401564439
NC A2 PWR MNT 48" NAM	NCFG420	912401564440
NC A2 NON PWR MNT 48" NAM	NCFG425	912401564441
NC A3 PWR MNT 48" NAM	NCFG430	912401564442
NC A3 NON PWR MNT 48" NAM	NCFG435	912401564443
NC A5 PWR MNT 48" NAM	NCFG450	912401564444
NC A5 NON PWR MNT 48" NAM	NCFG455	912401564445
NC A6-1 PWR MNT 48" NAM	NCFG461	912401564446
NC A6-2 PWR MNT 48" NAM	NCFG462	912401564447
NC A6-3 PWR MNT 48" NAM	NCFG463	912401564448
NC A6-1 NON PWR MNT 48" NAM	NCFG465	912401564449
NC A6-2 NON PWR MNT 48" NAM	NCFG466	912401564450
NC A6-3 NON PWR MNT 48" NAM	NCFG467	912401564451

- Energy code rated power level and lumen output is provided when a lightscape is connected to a NatureConnect link.
- Integration with the NatureConnect link controls (sold separately) provides static and dynamic scene selection with full NatureConnect content including Day Rhythm.
- A lightscape controller is required with each NatureConnect link that is connected to lightscape luminaire(s).
- Each Lightscape fixture requires one power mount, each Lightscape row (or fixture if standalone) requires one non-power mount. For mount types please reference [Ledelite's Suspended Mounting Options](#).

Ledalite NatureConnect

Natural lighting system



Technical specifications

Link (standard)

NatureConnect link is a customized control solution that creates the right control signals to realize a circadian rhythm or one of the available lighting scenes.

General Information

Ambient temperature range	0 to 35°C (32 to 95°F)
Storage temperature	-40 to 70°C (-40 to 158°F)
Ingress protection code	IP20
Merch. impact protection code	IK02
CE mark	Yes
UL mark	Yes
Warranty period	5 years

Mechanical and Housing

Dimensions (LxWxH)	6.3x4.3x1.45in (160x101x37mm)
Weight	1.1lbs (0.5kg)
Housing material	ABS
Housing color	White RAL 9016

Product Data

Description	Catalog Code	12NC
NatureConnect link Gen 2 Base	NCFG680	912401184221
NatureConnect link base with remote sensor kit surface mount	NCFG681	912401184222
NatureConnect link base with remote sensor kit recessed mount	NCFG682	912401184223
NatureConnect link base with remote radio kit surface mount	NCFG683	912401184224

To learn more, click or scan the QR codes below:



NatureConnect link spec sheet (standard and plenum)



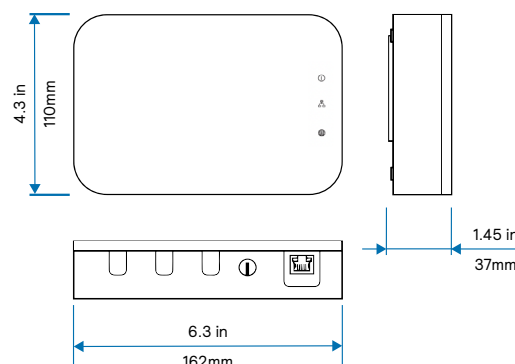
NatureConnect link commissioning guide

Interfaces

Control options	DALI, 0-10V, DMX
-----------------	------------------

Electrical

Power supply input voltage	100-240V AC
Input frequency	50 to 60Hz
Input current	<525mA
Power plug	Exchangeable plugs for EU/NAM mains sockets
Power supply cable length	1.5m (5ft)
Maximum electrical power	15W
Power factor	0.3
Power supply output voltage	24Vdc SELV
Output current	<875mA
Real time clock	Mains/Battery powered. Battery life: 2 years no supply/ 10 years with supply
Insulation Mains - DALI	Double
Insulation DALI IN - DALI OUT	Double
Insulation DA1 - DA2	Double



Open Source Statement

This product contains open source software. The acknowledgements, license texts and the written offer can be retrieved from the product after installation using a web browser by opening the following web page <https://interact.lighting.com/lightopensource/>. This link allows you to enter the mac address that can be found on the label at the back of the product. This web service will subsequently retrieve the acknowledgments, license texts and written offer from the device with that particular mac address, providing you with the information corresponding to the then current open source software in the device.

© 2024 Signify Holding. All rights reserved. The information provided herein is subject to change, without notice. Signify does not give any representation or warranty as to the accuracy or completeness of the information included herein and shall not be liable for any action in reliance thereon. The information presented in this document is not intended as any commercial offer and does not form part of any quotation or contract, unless otherwise agreed by Signify.

GENLYTE SOLUTIONS
a **signify** business

Signify North America Corp.
400 Crossing Blvd, Suite 600
Bridgewater, NJ 08807
Telephone: 800-555-0050

Signify Canada Ltd.
281 Hillmount Road,
Markham, ON, Canada L6C 2S3
Telephone: 800-668-9008

All trademarks are owned by Signify Holding or their respective owners.