

Project: _____

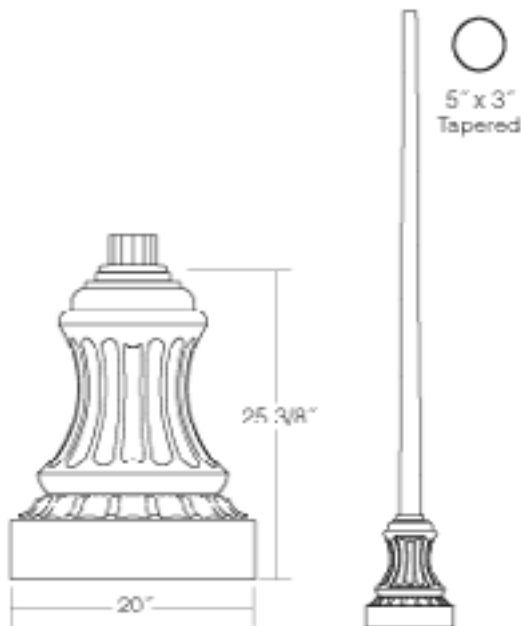
Location: _____

Cat.No: _____

Type: _____

Lamps: _____ Qty: _____

Notes: _____



Ordering Guide

Example: P2170 12 A T D

| Product Code | P2170 | |
|-----------------------------------|-------|--|
| Pole Height | 12 | 12' |
| | 14 | 14' |
| | 16 | 16' |
| | 18 | 18' |
| Finish | A | Black |
| | B | White |
| | G | Verde |
| | H | Bronze |
| | J | Green |
| Outlet Location (Optional) | T | 12" Down from Top - Aligned with House Side |
| | B | 4" Up from Top of Base - Aligned with House Side |
| Outlet Options (Optional) | D | Standard Duplex |
| | G | GFI Duplex |

Specifications

HOUSING:

356 HM high-strength, low-copper, proprietary cast aluminum alloy . 6063-T6 Extruded aluminum . Anchor rods are hot dipped galvanized steel .

FINISH:

A durable polyurethane enamel finish is applied after assemblies are shot blasted to create a surface profile which allows for the highest level of paint adhesion. Laboratory tested for superior weatherability and fade resistance in accordance with ASTM B-117-64 and ANSI/ASTM G53-77 specifications. For larger projects where a custom color is required, contact the factory for more information.

WARRANTY:

Three-year limited warranty.

OUTLET:

Standard Duplex Outlet has universal metal weatherproof cover. Weatherproof while in use. Heavy-duty all-metal construction. Lockable security cover. Meets NEC 406.9 (B). Weather resistant. GFI Duplex Outlet has dual-function indicator light, universal metal weatherproof cover. Weatherproof while in use. Heavy-duty all-metal construction. Lockable security cover. Meets NEC 406.9 (B). Weather resistant.

P2170 P2170

Pole

Specifications

Tenon/Top:

3" OD

Bolt Circle:

8" - 16"

Anchor Rods:

(4) 3/4" dia. x 19"

Base Dimensions:

20 dia. x 25 3/8"

Hand Hole :

11" x 16"

Shaft:

5" to 3" Tapered

Wall Thickness:

0.125 Aluminum

Wall Thickness:

0.188 Aluminum (14' and up)

Height :

12', 14', 16', 18'

Pole EPA Values

| Windspeed(mph) | Height | | | |
|----------------|---------|---------|---------|--------|
| | 12' | 14' | 16' | 18' |
| 80 | 12.8100 | 13.1500 | 10.7800 | 9.3800 |
| 100 | 7.4700 | 7.5100 | 5.7900 | 4.9000 |

