



Ledalite ArcForm recessed is a highly efficacious fully luminous fixture with brilliant color rendering and an innovative 3D symmetrical batwing lighting distribution. It delivers pure white light, free of glare, color shifts, hot spots or striations.

ArcForm now includes AccuRender technology for the highest color quality at the highest efficacy.

Project: _____
 Location: _____
 Cat.No: _____
 Type: _____
 Line ID: _____ Qty: _____
 Notes: _____

Ordering guide

example: 3622D1STL93545Q7DE

Family	Size	Version	Configuration	Source	CRI / CCT ¹	Lumens ¹	Optics	Wiring ²
36				L			Q	
36 ArcForm	22 2'x2' 14 1'x4' ^{4,5}	D1 Standard T-Grid D2 Slot T-Grid C1 Standard T-Grid+ Chicago Plenum C2 Slot T-Grid+ Chicago Plenum A1 Standard T-Grid+ Air Return ⁴ A2 Slot T-Grid+ Air Return ⁴	ST Standalone CR Continuous Row ⁵	L LED	950 CRI 90, 5000K 940 CRI 90, 4000K 935 CRI 90, 3500K 930 CRI 90, 3000K 927 CRI 90, 2700K	45 4500lm 35 3500lm 30 3000lm	Q MesoOptics with 3D Batwing	1 1cct Dimming B 1cct Dimming+ Battery Pack ⁶

Voltage	Driver	Option ³	System / Controls
D UNV 120-277V 3 347V ⁶	E Advance Xitanium 0-10V (1% Dim) D Advance Xitanium DALI (5% Dim) ⁶ H Lutron EcoSystem LDE1 (<1% Dim, Fade-to-Black) ⁶ S Advance Xitanium Sensor Ready (1% Dim) ⁶	N None (blank if no system) D Drywall Trim Kit P Flex Whip (6') F Drywall Trim Kit+ Flex Whip (6')	Leave blank CS Interact wireless sensor with integral daylight & occupancy sensing, advanced groupng with dwell time ⁷ SB Interact wireless sensor with occupancy, daylight, and environmental sensing capabilities ⁷

1. Nominal values within a range. Consult photometry data for CRI, CCT, lumens & distribution of chosen configuration. Custom lumen packages available on request in 100lm increments.
 2. Not all wiring types are available with all configurations. Consult Ledalite for a complete list of available options.
 3. Flex whips are installed, Drywall Trim Kits ship separately.
 4. Air Return version is not available in 1'x4'.
 5. Continuous Row only available in 1'x4'.

6. 347V not available with Battery Packs, DALI drivers, and Lutron EcoSystem drivers. Contact factory for 347V options with Interact
 7. Interact options require separate controls hardware by Signify.

Note: Due to continuing product improvements, Ledalite reserves the right to change the specifications without notice.

ArcForm recessed

2'x2' & 1'x4'

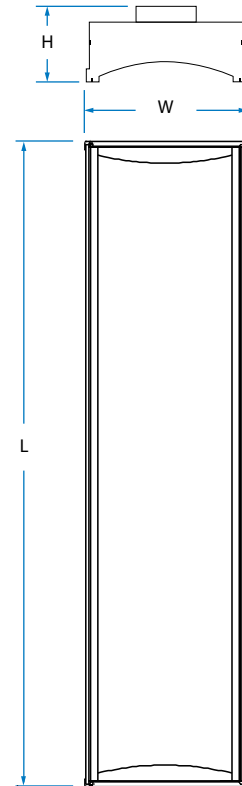
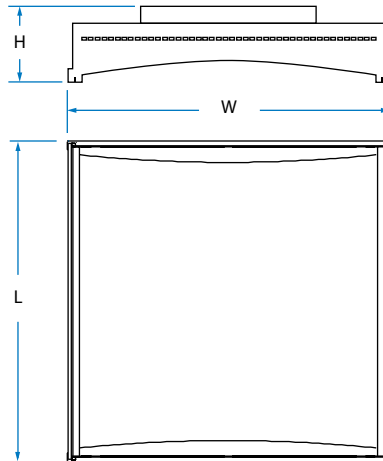
Dimensions

Size

2'x2' (22)

1'x4' (14)

Lens view



Size	W	L	H
2'x2' (22)	23.83" [605mm]	23.70" [602mm]	5.55" [141mm]
1'x4' (14)	11.81" [300mm]	47.68" [1211mm]	5.55" [141mm]

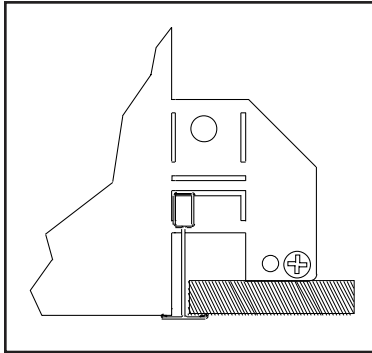
ArcForm recessed

2'x2' & 1'x4'

Mounting Details

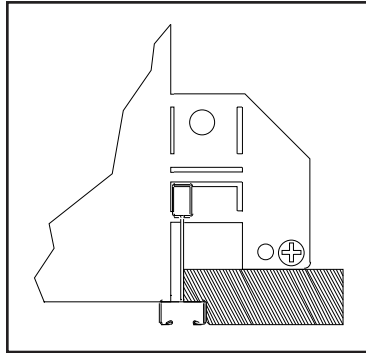
Flat T-Grid

Options D1/C1/A1 integrate with most common T-Grid ceiling types. Works with 9/16" & 15/16" flat T-Grid ceilings.

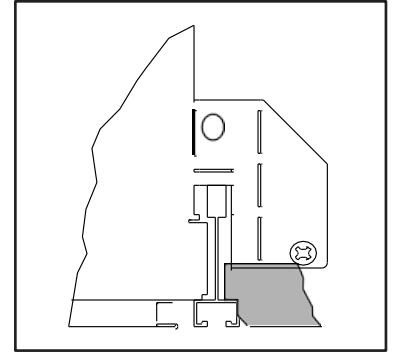


Slot T-Grid

Options D1/C1/A1 can also be used with slot T-Grid ceilings. For 9/16" slot T-Grid ceilings, fixture will sit 5/16" above bottom of T-Bar.

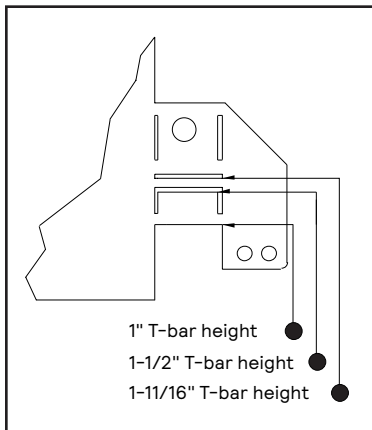


Options D2/C2/A2 are designed to sit flush with slot T-Grid ceilings and some tegular tile ceiling types.



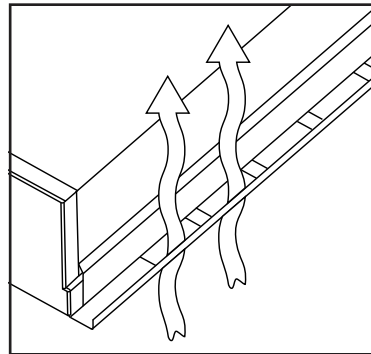
Ceiling Types

Integrated mounting tabs can be field-adjusted to various T-Grid ceiling heights for fastening directly to the T-Bar and/or tied off to the building structure.



Air Return Vents

The air return version features slotted vents along the sides of the fixture. As a result, the installation method of the air return version may be different to the standard version, please consult the installation instruction sheet.



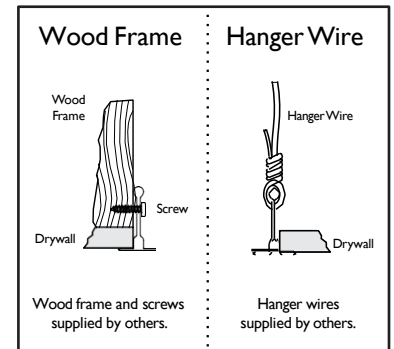
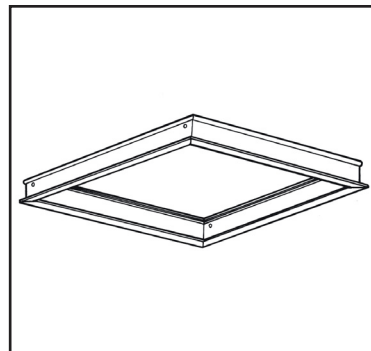
Drywall Trim Kit

The drywall trim kit mounting frame assembly is designed to permit use of grid (NEMA G) fixtures in drywall or ceilings requiring flanges.

Extruded aluminum construction with mitered corners. Includes screws for complete assembly. Available for 2'x2' & 1'x4' sizes.

More information available at:

<http://docs.ledalite.com/download/pdf/ID-Recessed-Drywall-Kits.pdf>



ArcForm recessed

2'x2' & 1'x4'

Specifications

Optical System

A curved, fully luminous acrylic panel with a protected layer of MesoOptics film efficiently generates a controlled, low glare, 3-dimensional batwing distribution. Die-formed, cold-rolled steel ends are assembled with extruded aluminum side profiles to form a sturdy optical frame. The frame is hinged to allow easy access to the inside of the fixture. Maintenance can be performed from below the ceiling.

Finish

Housing and Frame: Post-painted, high quality powder coat. Available in white.

Housing

Die-formed, post-painted, 22 gauge cold-rolled steel housing. Multiple wire entrances are available (top or side) to allow continuous row mounting of fixtures. Optional frame restraint is available to provide additional safety support.

Mounting

Compatible with lay-in acoustical ceilings using an exposed 9/16", 15/16" or slot T-grid suspension system (NEMA types G, NFG & NFGS). Integral mounting tabs are provided which handle different T-grid heights. Optional drywall kit trim mount can be fastened to a wood frame or installed with hangar wire.

Weight

Maximum 25lb.

Connected Systems

Interact Pro:

A wireless IoT connected lighting solution for small and medium-sized businesses. Commissioning via Android or iOS mobile device and Interact Pro app. Compatible Zigbee Green Power wall dimmer and wireless Occupancy or Daylight & Occupancy sensors available. Open APIs for light control and data exchange.

www.interact-lighting.com/pro

Electrical

LED boards are easily field replaceable. Fixtures are factory pre-wired and tested for all circuits and backup battery packs. Driver access from below the ceiling. Optional armored cable flex whips are supplied in 6' lengths.

Standard Drivers

- Advance Xitanium 0-10V, 1% Dimming.
- Advance Xitanium DALI, 5% Dimming.
- Advance Xitanium Sensor Ready, 1% Dimming.
- Lutron EcoSystem LDE1, 1% Dimming with Soft-On and Fade-to-Black.
- Class 2 rated output. Consult Ledalite for other available drivers.

Standard Battery Packs

- Bodine Battery Pack, 90 min, 10W, Class 2 rated output.
Lumen output = 10W x luminaire efficacy x 1.1. Typical output 1200lm.

Lumen Maintenance

- LEDs have been tested by the manufacturer in accordance with IESNA
- LM-80-15 at an ambient temperature of 25°C, the LED lumen maintenance expectation according to IES TM-21-11 is:
- L80 (10k) > 60,000 hrs (Reported methodology).

Source Color

LEDs rated for color rendering of:

- CRI $R_a \geq 90$, $R_g \geq 50$, $G_a \geq 98$, $C_g \geq 90$
IES TM-30-18 : $R_f \geq 90$, $R_{f,hl} \geq 89$, $R_g \geq 99$, $R_{cs,hl} \geq -6\%$
- SPD and TM-30-18 reports available upon request
- Fixture to fixture color accuracy within:
2 SDCM for Static White luminaires
3 SDCM for Tunable White luminaires

Approvals

- Certified to UL, IES & CSA Standards.
- City of Chicago Approved CCEA (housing option C).
- Type IC Rated.
- Certain versions without battery packs are DesignLights Consortium® qualified. Please see the DLC QPL list for exact catalog numbers, www.designlights.org/QPL.

QuickShip

10-day QuickShip available for most configurations upon request. More information available at: www.signify.com/en-us/brands/ledalite/quickship

Warranty

Five-year luminaire limited warranty including LED boards and driver. www.signify.com/warranties

Environment

Type IC rated for dry or damp locations in operating ambient temperatures of 0-25°C (32-77°F). Many luminaire components, such as reflectors, refractors, lenses, and LEDs are made from various types of plastics which can be adversely affected by airborne contaminants. If sulfur-based chemicals, petroleum-based products, cleaning solutions, or other contaminants are expected in the intended area of use, consult factory for compatibility. Damage caused by sulfur, chlorine, petroleum-based solution or other contaminants are not covered under warranty. Not suitable for natatorium environments.

ArcForm recessed

2'x2' & 1'x4'

Photometrics - 2'x2' (22)

Spacing Criteria: 1.79/1.83

(Click "PDF", "IES", or "RFA" text to Download)

Lumen Package	Nominal CRI & CCT	Flux ¹ (lm)	Watts ¹ (W)	Efficacy ¹ (LPW)	CIE 013.3-1995 ²				IES TM-30-18 ³				MDER ⁴	UGR ⁵	WELL ⁶	DLC (120/277V) ⁷	Photometry Report	IES File	Revit/BIM
					CRI	R _a	R _g	G _a	C ₉₀	R _f	R _{f,h1}	R _g							
4500 lm	CRI 90, 5000K	4725	42.7	110.7	93	66	97	93	90	89	99	-6%	0.79	19.5	Yes	Standard	PDF	IES	RFA
	CRI 90, 4000K	4702	42.7	110.1	93	62	98	93	91	90	99	-5%	0.64	19.5			PDF	IES	
	CRI 90, 3500K	4620	42.7	108.2	93	59	98	93	91	90	99	-6%	0.57	19.5			PDF	IES	
	CRI 90, 3000K	4403	42.7	103.1	94	57	99	93	92	90	100	-5%	0.50	19.3			PDF	IES	
	CRI 90, 2700K	4303	42.7	100.8	94	56	98	93	92	90	99	-6%	0.44	19.2			PDF	IES	
3500 lm	CRI 90, 5000K	3849	33.7	114.2	93	66	97	93	90	89	99	-6%	0.79	18.8	Yes	Standard	PDF	IES	RFA
	CRI 90, 4000K	3789	33.7	112.4	93	62	98	93	91	90	99	-5%	0.64	18.8			PDF	IES	
	CRI 90, 3500K	3733	33.7	110.8	93	59	98	93	91	90	99	-6%	0.57	18.7			PDF	IES	
	CRI 90, 3000K	3598	33.7	106.8	94	57	99	93	92	90	100	-5%	0.50	18.6			PDF	IES	
	CRI 90, 2700K	3476	33.7	103.1	94	56	98	93	92	90	99	-6%	0.44	18.5			PDF	IES	
3000 lm	CRI 90, 5000K	3193	28.7	111.3	93	66	97	93	90	89	99	-6%	0.79	18.2	Yes	Standard	PDF	IES	RFA
	CRI 90, 4000K	3129	28.7	109.0	93	62	98	93	91	90	99	-5%	0.64	18.1			PDF	IES	
	CRI 90, 3500K	3096	28.7	107.9	93	59	98	93	91	90	99	-6%	0.57	18.1			PDF	IES	
	CRI 90, 3000K	2984	28.7	104.0	94	57	99	93	92	90	100	-5%	0.50	17.9			PDF	IES	
	CRI 90, 2700K	2966	28.7	103.3	94	56	98	93	92	90	99	-6%	0.44	17.9			PDF	IES	

- Luminaire photometry has been conducted in accordance with IES LM-79-08. IES files can be downloaded by clicking the links in the table above, or online at ledalite.com.
- Color Rendering Index (CRI Ra) and Strong Red (R9) are calculated in accordance with CIE 013.3-1995. Color Gamut index (Ga) and red chroma Index (C9) are CIE based properties using the Global Lighting Association's calculation tool.
- Fidelity Index (Rf), Red Fidelity Index (Rf,h1), Gamut Index (Rg), and Red Local Chroma Shift (Rcs,h1) are calculated in accordance with IES TM-30-18.
- Melanopic Daylight Efficacy Ratio (MDER) is the measure for "spectral melanopic efficiency" as defined in CIE S 026-2018.
- Unified Glare Ratio (UGR) is calculated in accordance with CIE 117-1995. Reference conditions of 4Hx8Hx1H and reflectances of 70/50/20% have been applied using the procedure described in CIE 190-2010.
- The WELL Building Standard® is the first standard to integrate human health and wellness into the design, construction, maintenance and operations of buildings. Select ArcForm configurations contribute toward satisfying features L03, L04, L06, L07 and L08 under the WELL v2 Building Standard®.
- For 347V DLC listings, please visit the DLC QPL website. Battery Packs are not available for DLC listed versions.

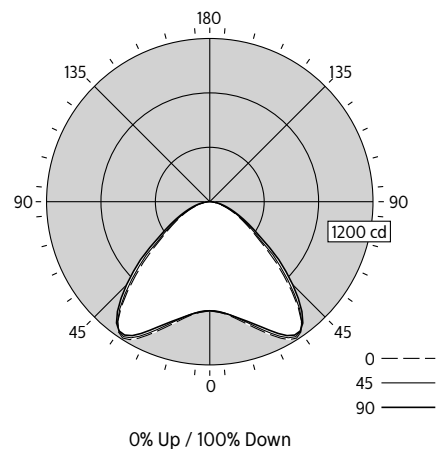
CANDELA DISTRIBUTION						Flux
	0	22.5	45	67.5	90	Lumens
0	781	781	781	781	781	
5	803	797	804	797	801	78
15	921	905	918	895	904	261
25	1114	1094	1104	1072	1070	507
35	1188	1195	1180	1191	1170	729
45	825	856	859	900	877	665
55	466	490	487	536	522	452
65	232	256	254	275	271	260
75	93	106	102	121	123	118
85	17	20	20	32	31	28
90	0	0	0	0	0	
95	0	0	0	0	0	0
105	0	0	0	0	0	0
115	0	0	0	0	0	0
125	0	0	0	0	0	0
135	0	0	0	0	0	0
145	0	0	0	0	0	0
155	0	0	0	0	0	0
165	0	0	0	0	0	0
175	0	0	0	0	0	0
180	0	0	0	0	0	0

COEFFICIENTS OF UTILIZATION (%)													
Pc---	80				70				50				0
Pw---	70	50	30	10	70	50	30	50	30	10	0	0	
RCR													
0	119	119	119	119	116	116	116	111	111	111	100		
1	110	106	102	98	107	103	100	99	96	94	86		
2	101	93	87	82	98	91	86	88	83	79	73		
3	92	82	75	69	90	81	74	78	72	67	63		
4	85	73	65	59	82	72	64	70	63	57	54		
5	78	66	57	51	76	65	56	62	55	50	47		
6	72	59	50	44	70	58	50	56	49	44	41		
7	67	53	45	39	65	53	44	51	44	38	36		
8	62	49	40	34	60	48	40	47	39	34	32		
9	58	44	36	31	56	44	36	43	36	31	28		
10	54	41	33	28	53	40	33	39	32	27	26		

ZONAL LUMEN SUMMARY			
Zone	Lumens	%Fixture	%Lamp
0-30	845	27.3%	27.3%
0-40	1574	50.8%	50.8%
0-60	2691	86.9%	86.9%
0-90	3096	100.0%	100.0%
90-130	0	0.0%	0.0%
90-150	0	0.0%	0.0%
90-180	0	0.0%	0.0%
0-180	3096	100.0%	100.0%

AVG LUMINANCE (cd/m ²)			
	0	45	90
0	2565	2565	2565
5	2647	2651	2642
15	3131	3123	3075
25	4035	4002	3877
35	4762	4731	4693
45	3832	3992	4075
55	2666	2786	2991
65	1799	1974	2102
75	1178	1296	1560
85	629	746	1164

Electrical				
Voltage	Power (W)	Current (A)	THD (%)	Power Factor
120V	28.5	0.239	8.9	0.993
277V	28.7	0.108	10.2	0.959
347V	29.0	0.087	8.1	0.956



*Photometric data shown is for 3000lm, CRI 90, 3500K configuration.

ArcForm recessed

2'x2' & 1'x4'

Photometrics - 1'x4' (14)

Spacing Criteria: 1.22/1.67

(Click "PDF", "IES", or "RFA" text to Download)

Lumen Package	Nominal CRI & CCT	Flux ¹ (lm)	Watts ¹ (W)	Efficacy ¹ (LPW)	CIE 013.3-1995 ²				IES TM-30-18 ³				MDER ⁴	UGR ⁵	WELL ⁶	DLC (120/277V) ⁷	Photometry Report	IES File	Revit/BIM
					CRI R _a	R _g	G _a	C ₉	R _f	R _{f,h1}	R _g	R _{cs,h1}							
4500 lm	CRI 90, 5000K	4570	42.7	107.0	93	66	97	93	90	89	99	-6%	0.79	20.3	Yes	Standard	PDF	IES	RFA
	CRI 90, 4000K	4467	42.7	104.6	93	62	98	93	91	90	99	-5%	0.64	20.2			PDF	IES	
	CRI 90, 3500K	4408	42.7	103.2	93	59	98	93	91	90	99	-6%	0.57	20.1			PDF	IES	
	CRI 90, 3000K	4228	42.7	99.0	94	57	99	93	92	90	100	-5%	0.50	20.0			PDF	IES	
	CRI 90, 2700K	4062	42.7	95.1	94	56	98	93	92	90	99	-6%	0.44	19.9			PDF	IES	
3500 lm	CRI 90, 5000K	3607	33.7	107.0	93	66	97	93	90	89	99	-6%	0.79	19.4	Yes	Standard	PDF	IES	RFA
	CRI 90, 4000K	3521	33.7	104.5	93	62	98	93	91	90	99	-5%	0.64	19.4			PDF	IES	
	CRI 90, 3500K	3482	33.7	103.3	93	59	98	93	91	90	99	-6%	0.57	19.3			PDF	IES	
	CRI 90, 3000K	3433	33.7	101.9	94	57	99	93	92	90	100	-5%	0.50	19.3			PDF	IES	
	CRI 90, 2700K	3268	33.7	97.0	94	56	98	93	92	90	99	-6%	0.44	19.1			PDF	IES	
3000 lm	CRI 90, 5000K	2991	28.7	104.2	93	66	97	93	90	89	99	-6%	0.79	18.8	Yes	Standard	PDF	IES	RFA
	CRI 90, 4000K	2922	28.7	101.8	93	62	98	93	91	90	99	-5%	0.64	18.7			PDF	IES	
	CRI 90, 3500K	2891	28.7	100.7	93	59	98	93	91	90	99	-6%	0.57	18.7			PDF	IES	
	CRI 90, 3000K	2847	28.7	99.2	94	57	99	93	92	90	100	-5%	0.50	18.6			PDF	IES	
	CRI 90, 2700K	2736	28.7	95.3	94	56	98	93	92	90	99	-6%	0.44	18.5			PDF	IES	

- Luminaire photometry has been conducted in accordance with IES LM-79-08. IES files can be downloaded by clicking the links in the table above, or online at ledalite.com.
- Color Rendering Index (CRI Ra) and Strong Red (R9) are calculated in accordance with CIE 013.3-1995. Color Gamut index (Ga) and red chroma Index (C9) are CIE based properties using the Global Lighting Association's calculation tool.
- Fidelity Index (Rf), Red Fidelity Index (Rf,h1), Gamut Index (Rg), and Red Local Chroma Shift (Rcs,h1) are calculated in accordance with IES TM-30-18.
- Melanopic Daylight Efficacy Ratio (MDER) is the measure for "spectral melanopic efficiency" as defined in CIE S 026-2018.
- Unified Glare Ratio (UGR) is calculated in accordance with CIE 117-1995. Reference conditions of 4Hx8Hx1H and reflectances of 70/50/20% have been applied using the procedure described in CIE 190-2010.
- The WELL Building Standard® is the first standard to integrate human health and wellness into the design, construction, maintenance and operations of buildings. Select ArcForm configurations contribute toward satisfying features L03, L04, L06, L07 and L08 under the WELL v2 Building Standard®.
- For 347V DLC listings, please visit the DLC QPL website. Battery Packs are not available for DLC listed versions.

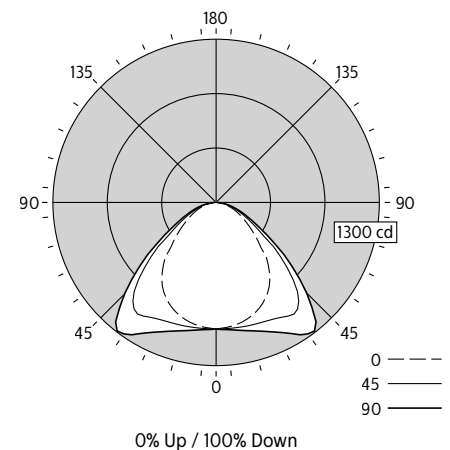
CANDELA DISTRIBUTION						Flux
	0	22.5	45	67.5	90	Lumens
0	1003	1003	1003	1003	1003	1003
5	997	1001	1007	1011	1016	96
15	958	979	1019	1051	1072	288
25	883	941	1044	1122	1174	479
35	746	877	1061	1209	1258	638
45	539	639	781	912	896	588
55	335	383	444	520	501	403
65	197	211	239	273	273	242
75	89	100	115	140	132	124
85	13	26	28	37	27	32
90	0	0	0	0	0	
95	0	0	0	0	0	0
105	0	0	0	0	0	0
115	0	0	0	0	0	0
125	0	0	0	0	0	0
135	0	0	0	0	0	0
145	0	0	0	0	0	0
155	0	0	0	0	0	0
165	0	0	0	0	0	0
175	0	0	0	0	0	0
180	0	0	0	0	0	0

COEFFICIENTS OF UTILIZATION (%)													
PC---	80				70				50				0
Pw---	70	50	30	10	70	50	30	50	30	10	0	0	
RCR													
0	119	119	119	119	116	116	116	111	111	111	100		
1	110	106	102	98	107	103	100	99	96	94	86		
2	101	93	87	82	98	91	86	88	83	79	73		
3	92	83	75	69	90	81	74	78	72	67	63		
4	85	74	66	59	83	72	65	70	63	58	54		
5	78	66	58	51	76	65	57	63	56	51	48		
6	73	60	51	45	71	59	51	57	50	45	42		
7	67	54	46	40	66	53	45	52	45	40	37		
8	63	50	41	36	61	49	41	48	40	35	33		
9	59	45	37	32	57	45	37	44	37	32	30		
10	55	42	34	29	54	41	34	40	34	29	27		

ZONAL LUMEN SUMMARY			
Zone	Lumens	%Fixture	%Lamp
0-30	864	29.9%	29.9%
0-40	1501	51.9%	51.9%
0-60	2493	86.2%	86.2%
0-90	2891	100.0%	100.0%
90-130	0	0.0%	0.0%
90-150	0	0.0%	0.0%
90-180	0	0.0%	0.0%
0-180	2891	100.0%	100.0%

AVG LUMINANCE (cd/m ²)			
	0	45	90
0	3498	3498	3498
5	3489	3523	3555
15	3457	3679	3871
25	3396	4014	4517
35	3174	4516	5356
45	2656	3849	4419
55	2037	2698	3047
65	1626	1970	2255
75	1203	1551	1782
85	528	1100	1068

Electrical				
Voltage	Power (W)	Current (A)	THD (%)	Power Factor
120V	28.5	0.239	8.9	0.993
277V	28.7	0.108	10.2	0.959
347V	29.0	0.087	8.1	0.956



*Photometric data shown is for 3000lm, CRI 90, 3500K configuration.

© 2024 Signify Holding. All rights reserved. The information provided herein is subject to change, without notice. Signify does not give any representation or warranty as to the accuracy or completeness of the information included herein and shall not be liable for any action in reliance thereon. The information presented in this document is not intended as any commercial offer and does not form part of any quotation or contract, unless otherwise agreed by Signify.

GENLYTE SOLUTIONS
a signify business

Signify North America Corp.
400 Crossing Blvd, Suite 600
Bridgewater, NJ 08807
Telephone: 800-555-0050

Signify Canada Ltd.
281 Hillmount Road,
Markham, ON, Canada L6C 2S3
Telephone: 800-668-9008

All trademarks are owned by Signify Holding or their respective owners.