

# 3D Printing

by  Signify

## 3D printed lighting

Low Bay (large & small)

BA L Series



Signify's 3D Printed Low Bay (BA L) Series allows for a multitude different combinations, tailored to seamlessly match any indoor environment. No ceiling? No problem. Bringing glare control of downlights to open ceilings with plenty of options. Create dynamic new decorative styles for your projects by selecting from a variety of polycarbonate materials and visually rich surface textures. Unleash your inner creator and select from the many options these Low Bays have to offer, unlike any other on the market.

Project: \_\_\_\_\_  
 Location: \_\_\_\_\_  
 Cat.No: \_\_\_\_\_  
 Type: \_\_\_\_\_  
 Qty: \_\_\_\_\_  
 Notes: \_\_\_\_\_

### Fixture

example: 3DPI LB L WHST LF SIST SR 10L 27K CO WH

Series	Colors	Outer Texture	Inner Texture	Reflector Texture	Lumens	Optics/Beams	CRI/CCT
3DPI LB L Low Bay Large	<b>BKMT</b> Matte Black <b>Satin colors</b> <b>WHST</b> White (9003) <b>GYST</b> Grey (9006) <b>DGYS</b> Dark Grey (7043) <b>SIST</b> Silver <b>GDST</b> Gold <b>Metallic colors</b> <b>GNME</b> Green <b>BLME</b> Blue <b>PUME</b> Purple <b>PKME</b> Pink (Rose Gold) <b>Transparent colors</b> <b>CL</b> Clear <b>GYSM</b> Smokey Grey <b>ORTP</b> Fluo Orange <b>WHTL</b> White <b>RDTP</b> Red <b>YETP</b> Yellow <b>BLTP</b> Blue <b>GNTL</b> Lime	<b>Opaque outer colors</b> <b>LF</b> Layered Fine <b>NL</b> Natural Lines  <b>Transparent outer colors</b> <b>TC</b> Tufted Coarse <b>PY</b> Pyramids <b>HL</b> Horizontal Lines <b>WO</b> Woven Oval	<b>N</b> No Reflector <b>WHRH</b> Glossy White (HR) <b>Satin textures</b> <b>SIST</b> Silver <b>GDST</b> Gold <b>Metallic textures</b> <b>PUME</b> Purple <b>PKME</b> Pink (Rose Gold) <b>BLME</b> Blue <b>GNME</b> Green	<b>SR</b> Smooth 60° <b>BR</b> Baffle 60° <b>FP</b> Floral 60°  <b>Note:</b> If no Inner Reflector is chosen, do not select an Inner Reflector Texture.  <b>Note:</b> If a different color, optics, or texture is needed, please contact a member of the 3D Printing team. Most combinations are possible but will require a long lead time to produce.	<b>10L</b> 1000lm <b>15L</b> 1500lm <b>20L</b> 2000lm <b>27L</b> 2700lm <b>38L</b> 3800lm <b>45L</b> 4500lm <b>60L</b> 6000lm <b>75L</b> 7500lm	<b>MB</b> Medium 25° <b>WB</b> Wide 36° <b>VWB</b> Very Wide 60° <b>DF</b> Diffuse 84° (T)  <b>Note:</b> If no Inner Reflector is chosen, only choose from the above Optics options.	<b>27K</b> 90CRI/2700K <b>30K</b> 90CRI/3000K <b>35K</b> 90CRI/3500K <b>40K</b> 90CRI/4000K
	3DPI LB S Low Bay Small	<b>BKMT</b> Matte Black <b>Satin colors</b> <b>WHST</b> White (9003) <b>GYST</b> Grey (9006) <b>DGYS</b> Dark Grey (7043) <b>SIST</b> Silver <b>GDST</b> Gold <b>Metallic colors</b> <b>GNME</b> Green <b>BLME</b> Blue <b>PUME</b> Purple <b>PKME</b> Pink (Rose Gold) <b>Transparent colors</b> <b>CL</b> Clear <b>GYSM</b> Smokey Grey <b>ORTP</b> Fluo Orange <b>WHTL</b> White <b>RDTP</b> Red <b>YETR</b> Yellow <b>BLTP</b> Blue <b>GNTL</b> Lime	<b>Opaque outer colors</b> <b>LF</b> Layered Fine  <b>Transparent outer colors</b> <b>TC</b> Tufted Coarse	<b>N</b> No Reflector <b>WHRH</b> Glossy White (HR)	<b>SR</b> Smooth 60° <b>BR</b> Baffle 60° <b>FP</b> Floral 60°  <b>Note:</b> If no Inner Reflector is chosen, do not select an Inner Reflector Texture.  <b>Note:</b> If a different color, optics, or texture is needed, please contact a member of the 3D Printing team. Most combinations are possible but will require a long lead time to produce.	<b>10L</b> 1000lm <b>15L</b> 1500lm <b>20L</b> 2000lm <b>27L</b> 2700lm <b>38L</b> 3800lm	<b>MB</b> Medium 25° <b>WB</b> Wide 36° <b>VWB</b> Very Wide 60° <b>DF</b> Diffuse 84° (T)  <b>Note:</b> If no Inner Reflector is chosen, only choose from the above Optics options.

**Note:** Different colors, textures & custom logo options are available upon request.



Unleash your inner creator

To configure your custom 3D printed luminaire, scan this QR Code with your smartphone's camera or visit us at: <https://www.tailored.lighting.philips.com/en/us/BA-Series/default.aspx>



interact ready.

# BA L Series

## 3D Low Bay (large & small)

### Mounting

Canopy types	Canopy colors
CO Conical	WH White mount
DI Disk	BK Black mount
	SI Silver mount
	#### Mounting in Shade Color

**Note:** For mounting options with ####, add color of your choice from the "Colors" options on page 1.

### Mounting

- **Canopy:** Two styles to choose from in any color
- **Cord:** 10 feet clear silver cord, sized at time of installation
- **Junction Box:** Cover plate supplied to allow mounting to industry standard 4 inch box

### Features

- **Customizable:** choose from a vast multitude of colors, textures, shapes and style combinations.
- **Sustainable:** 3D Printed products produce less carbon emissions when compared to traditional, conventional luminaire manufacturing.
- **Domestic production:** Printed & assembled in Littlestown, PA.
- **Quick delivery:** Created on-demand and shipped in weeks.

**Lightweight:** All models under 10 lbs.

### Electrical

- **Dimming:** 0-10V dimmable
- **Input Voltage:** 120V - 277V
- **Frequency:** 50/60Hz
- **Power Factor:** 0.9

### Labels

cULus Listed, 5 year warranty  
IP20, RoHS, & IK02

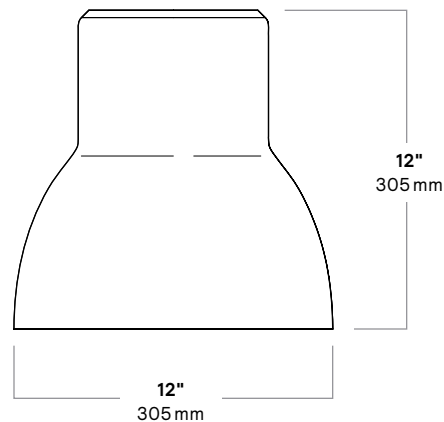
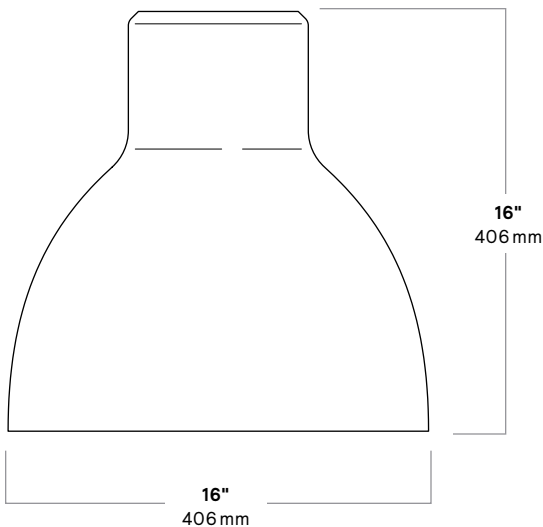
### Buy American Act of 1933 (BAA)

This product is manufactured in one of our US factories and, as of the date of this document, this product was considered a commercially available off-the-shelf (COTS) item meeting the requirements of the BAA. This BAA designation hereunder does not address (i) the applicability of, or availability of a waiver under, the Trade Agreements Act, or (ii) the "Buy America" domestic content requirements imposed on states, localities, and other non-federal entities as a condition of receiving funds administered by the Department of Transportation or other federal agencies. Prior to ordering, please visit [www.signify.com/baa](http://www.signify.com/baa) to view a current list of BAA-compliant products to confirm this product's current compliance.

### Interact Pro Scalable System

Interact Pro scalable system with its simple wireless offering can make your smart building journey easy and cost effective. This system can help you boost your energy savings, reach your sustainability targets, and enhance occupancy comfort levels immediately from day one. 3D printed luminaires can be integrated into the Interact Pro scalable system using the System Bridge Accessory SBA module or the RFSR10 control module. For more information please visit: <https://www.interact-lighting.com/en-us/what-is-possible/interact-pro/scalable-system>.

### Dimensions



# BA L Series

## 3D Low Bay (large & small)

### BAL-L Colors



WHST Satin White



GYST Satin Grey



DGYS Satin Dark Grey



SIST Satin Silver



GDST Satin Gold



GNME Metallic Green



BLME Metallic Blue



PUME Metallic Purple



PKME Metallic Pink



CL Transparent Clear



GYSM Transparent Smokey Grey



ORTP Transparent Fluo Orange



WHTL Transparent White



RDTP Transparent Red



YETP Transparent Yellow



BLTP Transparent Blue



GNTP Transparent Lime



BKMT Matte Black

# BA L Series

## 3D Low Bay (large & small)

### BAL-S Colors



WHST Satin White



GYST Satin Grey



DGYS Satin Dark Grey



SIST Satin Silver



GDST Satin Gold



GNME Metallic Green



BLME Metallic Blue



PUME Metallic Purple



PKME Metallic Pink



CL Transparent Clear



GYSM Transparent Smokey Grey



ORTP Transparent Fluo Orange



WHTL Transparent White



RDTP Transparent Red



YETR Transparent Yellow



BLTP Transparent Blue



GNTL Transparent Lime



BKMT Matte Black



© 2022 Signify Holding. All rights reserved. The information provided herein is subject to change, without notice. Signify does not give any representation or warranty as to the accuracy or completeness of the information included herein and shall not be liable for any action in reliance thereon. The information presented in this document is not intended as any commercial offer and does not form part of any quotation or contract, unless otherwise agreed by Signify.

Signify North America Corporation  
400 Crossing Blvd, Suite 600  
Bridgewater, NJ 08807  
Telephone: 855-486-2216

Signify Canada Ltd.  
281 Hillmount Road,  
Markham, ON, Canada L6C 2S3  
Telephone: 800-668-9008

All trademarks are owned by Signify Holding or their respective owners.