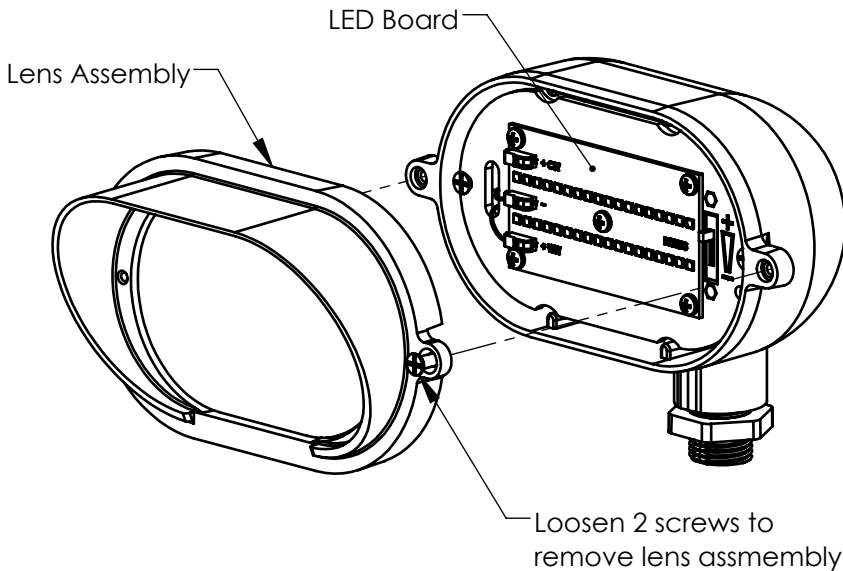
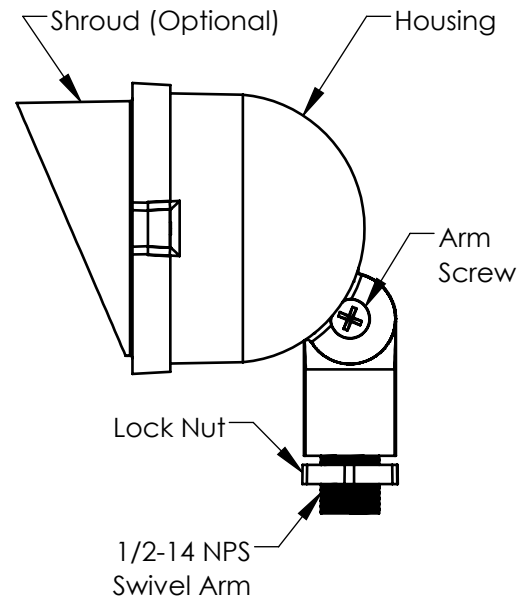


# INSTALLATION INSTRUCTIONS: LED MINI FLOODLIGHT

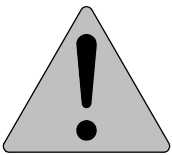
**Figure 1:**



**Figure 2:**



| Switch Output Settings | Lumen Output Table |              |                   |              |                 |              |                   |              |
|------------------------|--------------------|--------------|-------------------|--------------|-----------------|--------------|-------------------|--------------|
|                        | WAM1 Clear Lens    |              | WAM1 Frosted Lens |              | WBM1 Clear Lens |              | WBM1 Frosted Lens |              |
|                        | Warm** (3000K)     | Cool (4000K) | Warm** (3000K)    | Cool (4000K) | Warm** (3000K)  | Cool (4000K) | Warm** (3000K)    | Cool (4000K) |
| 10.6W (5)*             | 997                | 926          | 805               | 760          | 1187            | 1195         | 964               | 974          |
| 8.0W (4)               | 779                | 724          | 629               | 594          | 927             | 934          | 753               | 761          |
| 6.1W (3)               | 600                | 557          | 484               | 457          | 714             | 719          | 580               | 586          |
| 4.3W (2)               | 418                | 388          | 338               | 319          | 498             | 501          | 404               | 408          |
| 2.7W (1)               | 223                | 207          | 180               | 170          | 265             | 267          | 216               | 218          |



This fixture is intended for installation in accordance with the National Electrical Code and local code specifications. Failure to adhere to these codes and instructions may result in serious injury and/or damage to the driver and void the warranty. These instructions do not purport to cover all details or variations in equipment, nor to provide for every possible contingency related to installation, operation, maintenance, or mounting situation. Should specific problems occur that are not addressed by these instructions, contact your Sales Representative or distributor for assistance. **SAVE THESE INSTRUCTIONS** for future reference.



## SAFETY WARNING:

**ALWAYS TURN FIXTURE OFF/DISCONNECT POWER AND ALLOW TO COOL BEFORE PERFORMING ANY MAINTENANCE, INCLUDING CLEANING!**

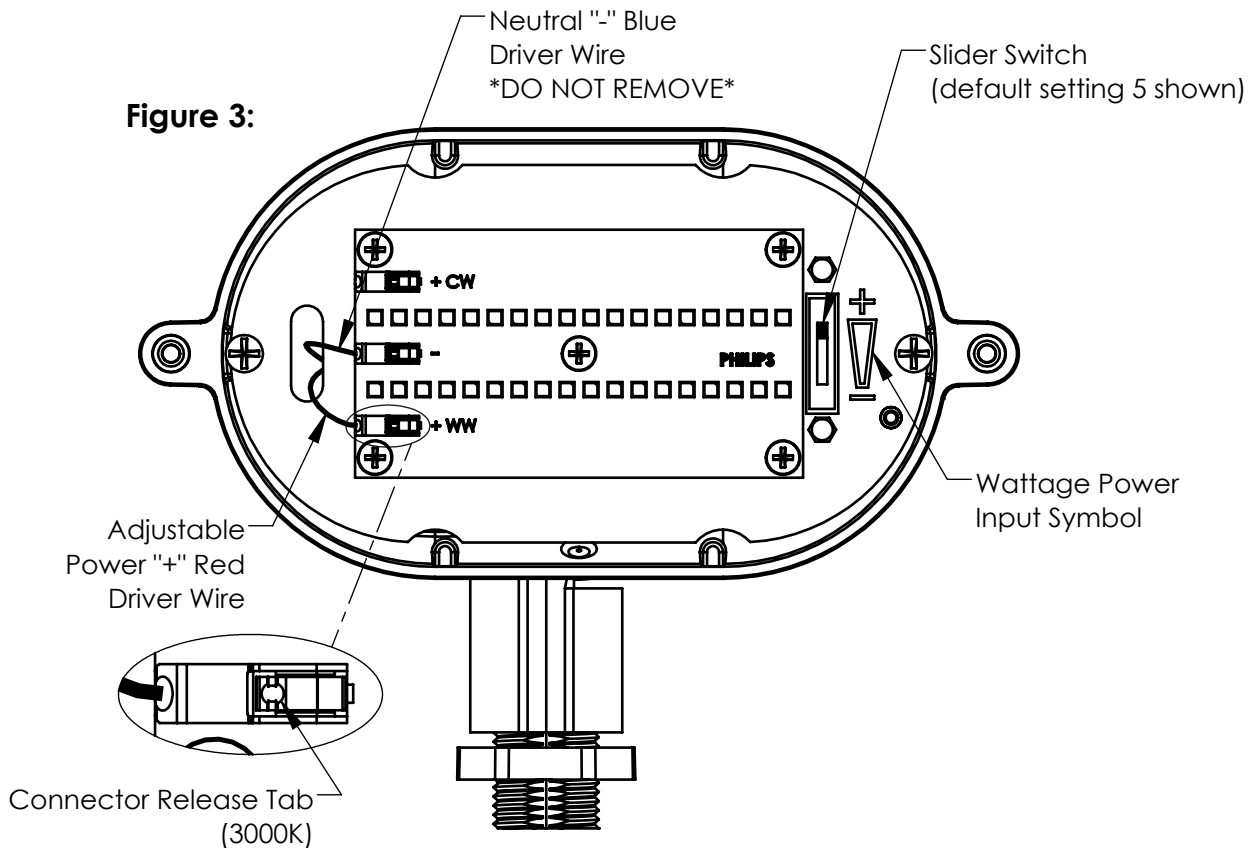
To help prevent premature failure, decreased performance, overheating and risk of fire, keep fixture and lens clean and free of leaves, mulch, debris and mineral deposits from water. The fixture and lens can be cleaned using a soft cloth and a solution of mild liquid soap and warm water. Wipe clean and dry with a soft, lint-free dry cloth. Avoid polishing fixture or lens.

# DO NOT INSTALL FIXTURE WITHIN 10 FEET (3.05 METERS) OF A POOL, SPA OR FOUNTAIN.

## INSTALLATION INSTRUCTIONS

1. Make sure power is OFF before installing or servicing this fixture.
2. The fixture must be mounted to a UL listed junction box, mounting stake or inground ballast box. Stake S3 may be used, or boxes M0029, B11, B12, B13, B14, CB1, TM2, or any IBH ballast box.
3. Thread wires through hole in stake cap or junction box lid. Screw arm of fixture onto stake cap or lid. Lock into desired position by tightening arm locknut.
4. Connect white supply wire to white fixture wire, black supply wire to black fixture wire, and supply ground wire to fixture ground wire.  
If using an external dimming device, connect appropriately to supplied violet and gray wires.  
Use wire connectors (not supplied) to secure connections.
5. Attach cap/lid to stake/box, making sure not to pinch wires.
6. Loosen the two screws on the lens assembly, as shown in Figure 1, and remove for fixture output adjustment.
7. Adjust lumen output by sliding the switch to the desired setting. Factory default is setting 5 (10.6W). There are [5] different settings ranging from 2.7W to 10.6W. See chart on Page 1 for approximate lumen values. Heatsink has a "+" and "-" symbol to illustrate wattage level. See Figure 3.  
If using external dimming, then switch must be in position of setting 5.
8. Adjustment of LED color temperature from 3000k warm (factory preset) to 4000k cool is optional. To change CCT color, use a small tool (screw driver, ball point pen, etc.) and remove red driver wire from bottom board connector (WW) by pressing on connector tab as indicated in Figure 3 to release wire. Then slide red wire into top connector (CW).
9. Reassemble the lens assembly and tighten screws securely.
10. Loosen screw in arm, aim fixture as desired, and tighten arm screw. See Figure 2.
11. Turn power ON.

**WARNING: DO NOT TOUCH LEDS!! IMPROPER HANDLING MAY CAUSE DAMAGE .**



[www.philips.com/luminaires](http://www.philips.com/luminaires)  
Phone: 855-486-2216 (USA)  
800-668-9008 (CAN)