

CHLORIDE

WGLO EDGE-GLO EXIT

INSTALLATION AND OPERATING INSTRUCTIONS

IMPORTANT SAFEGUARDS

When using electrical equipment, basic safety precautions should always be followed, including the following:

READ AND FOLLOW ALL SAFETY INSTRUCTIONS

This sign shall be installed only where there is adequate color contrast between the sign legend and the interior wall finish behind the sign to provide for sufficient visibility.

All servicing should be performed by qualified personnel only.

Equipment should be mounted in locations and at heights where it will not be readily subjected to tampering by unauthorized personnel.

The use of accessory equipment not recommended by the manufacturer may cause an unsafe condition.

Do not use this equipment for other than intended use.

Do not use outdoors.

Do not let supply cords touch hot surfaces.

Do not mount near gas or electric heaters.

Use caution when servicing batteries. Battery acid can cause burns to skin and eyes. If acid is spilled on skin or eyes, flush acid with fresh water and contact a physician immediately.

SAVE THESE INSTRUCTIONS

WARNING – Shut off AC power to branch circuits to which units will be connected. All wiring should be per N.E.C. Articles 501-4(b) and local codes.

To maintain warranty, equipment with batteries must be installed or placed on charge within prescribed period after shipment.

CHLORIDE

Signify North America Corporation
200 Franklin Square Drive
Somerset, NJ 08873, USA
Phone: 855-486-2216
www.chloride-lighting.com

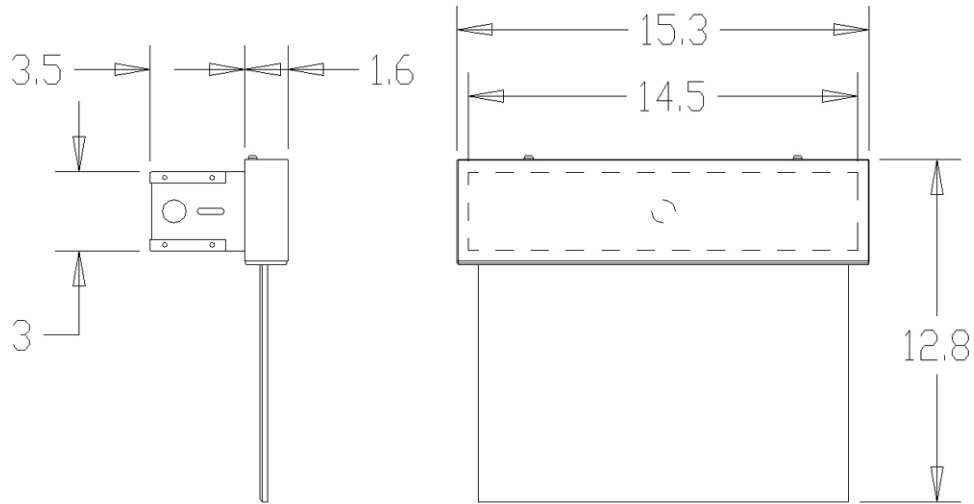
Signify Canada Ltd./Signify Canada Ltée.
281 Hillmount Road,
Markham ON, Canada L6C 2S3
Phone: 800-668-9008

July 2018
12NC: 443580497581

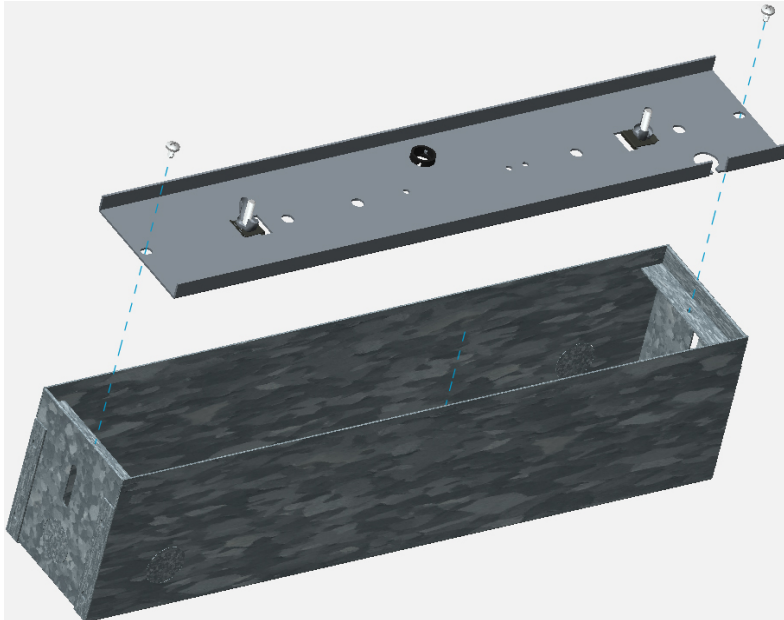
GENERAL INSTRUCTIONS

Mounting Instructions

Figure 1 provides an overall view of the fixture and shows all of the critical dimensions. Refer to this illustration as you mount the fixture.



1. Remove Edge-Glo Exit fixture and hardware from the box. Inspect contents to ensure that no damage occurred during shipment.
2. Using the housing as a template, cut the required opening in the mounting surface.
3. Remove the two screws shown so that the electronics chassis can be removed.



4. Remove one 7/8" knockout for AC service entry. Attach AC conduit using 1/2" conduit bushing.

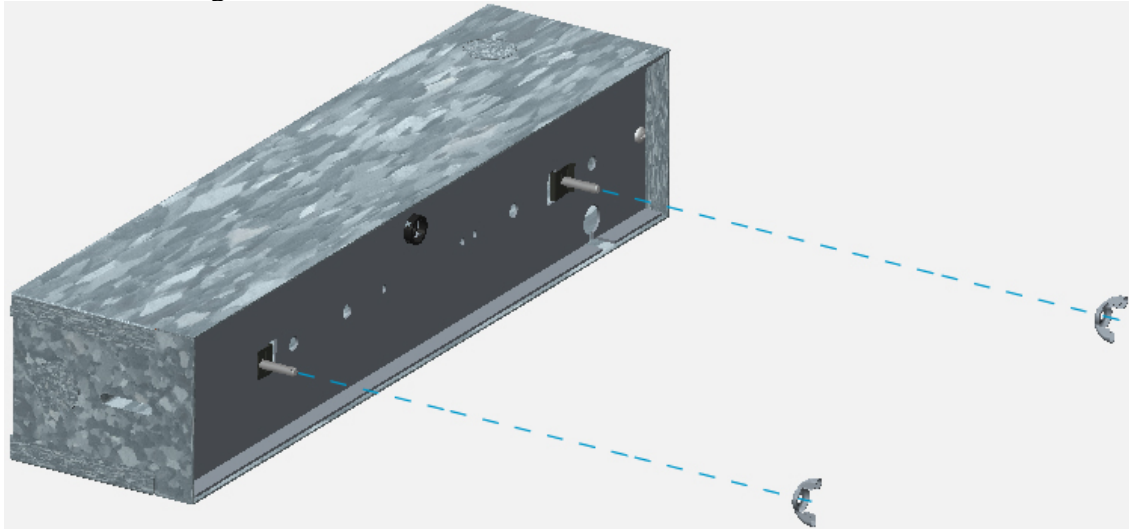
Signify North America Corporation
200 Franklin Square Drive
Somerset, NJ 08873, USA
Phone: 855-486-2216
www.chloride-lighting.com

Signify Canada Ltd./Signify Canada Ltée.
281 Hillmount Road,
Markham ON, Canada L6C 2S3
Phone: 800-668-9008

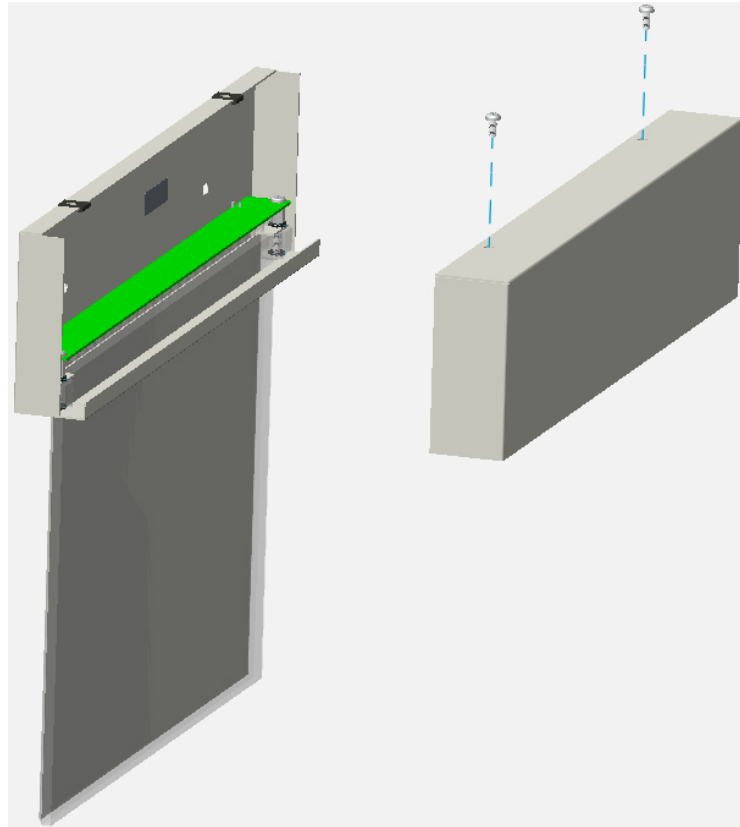
July 2018
12NC: 443580497581

CHLORIDE

5. Attach housing to structure behind mounting surface.
6. Connect AC wiring at this time. Connect Green wire to ground and White wire to Common. Connect Black wire to 120VAC or Blue wire to 277VAC (cap off unused wire to prevent shorting).
7. Reattach electronics chassis to housing using the two screws removed in step 3.
8. Remove the two wing nuts from the front of the electronics chassis.



9. Remove two screws that secure front panel of lens assembly and set them aside.



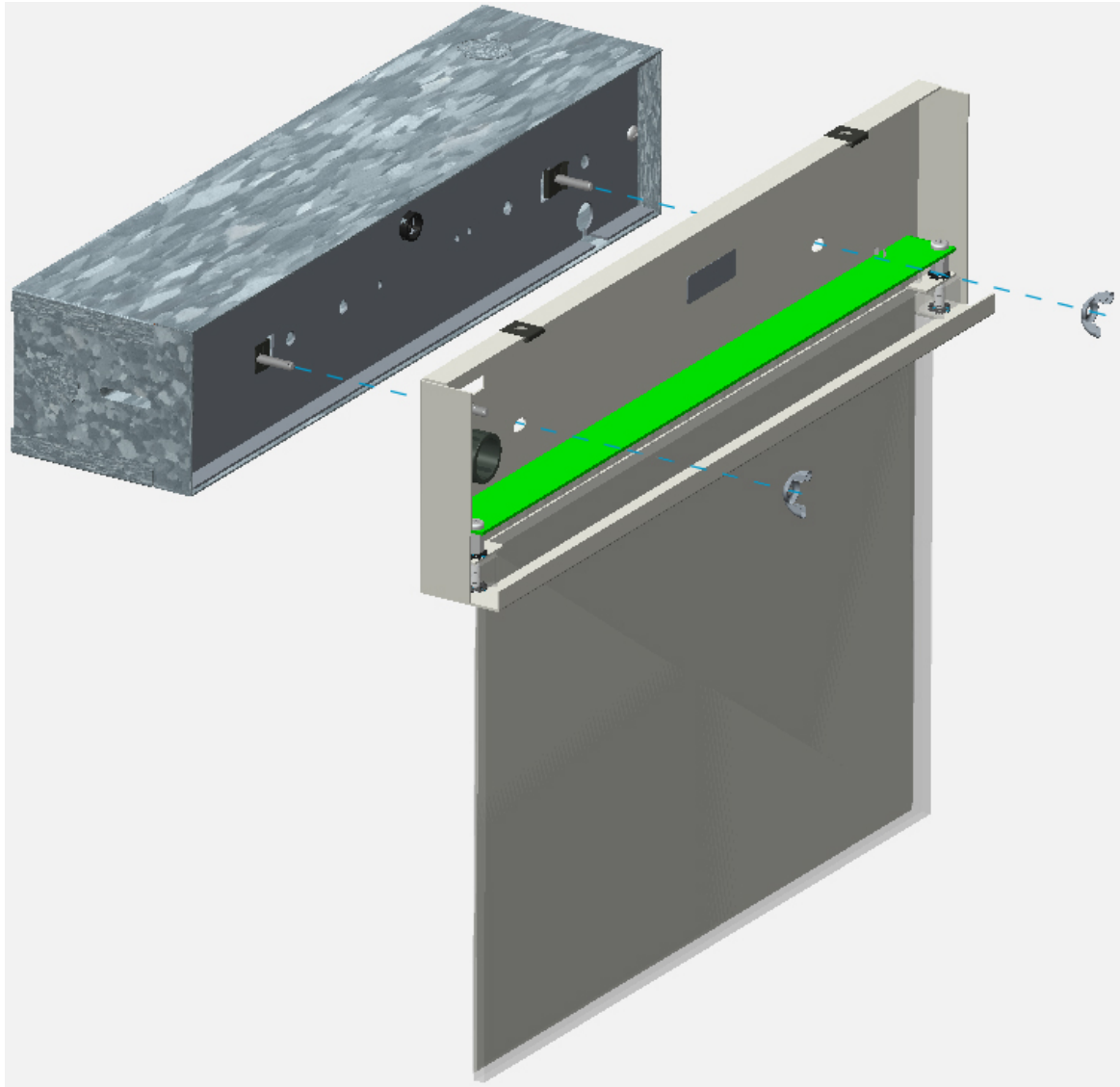
10. Secure panel assembly to housing assembly using the two wing nuts removed earlier. Route wires from housing thru the plastic bushing found in the back of the panel assembly.

Signify North America Corporation
200 Franklin Square Drive
Somerset, NJ 08873, USA
Phone: 855-486-2216
www.chloride-lighting.com

Signify Canada Ltd./Signify Canada Ltée.
281 Hillmount Road,
Markham ON, Canada L6C 2S3
Phone: 800-668-9008

July 2018
12NC: 443580497581

CHLORIDE



11. Connect the two pin harness to the light bar. If a self-powered battery backup unit is being installed, remove the two knockouts from the front panel of the lens assembly. Secure the switch and LED indicators from the housing assembly to the sheetmetal bracket found inside the panel assembly.
12. Reattach the front cover to the panel assembly.
13. Energize the AC circuit and ensure that the fixture lights. If the unit has the self-powered battery backup option, push the test switch and ensure that the fixture remains lit.