



**Calculite LED 2" Cylinders** feature industry leading visual comfort, excellent uniform illumination over time, and installation flexibility. Downlight, Wall Wash, Adjustable Accent and Direct/Indirect configurations provide flexibility to accentuate ambiance for office, retail, and hospitality applications.

Project: \_\_\_\_\_  
 Location: \_\_\_\_\_  
 Cat.No: \_\_\_\_\_  
 Type: \_\_\_\_\_  
 Qty: \_\_\_\_\_  
 Notes: \_\_\_\_\_

**Ordering check list** (x=needed for complete luminaire configuration)

| Catalog Prefix | Mounting      | Style             | Fixture+ | Reflector+   | Optics+ | Accessories |
|----------------|---------------|-------------------|----------|--------------|---------|-------------|
| C2CPC(S/M/L)DL | Pendant Cable | Downlight         | X        | X            |         |             |
| C2CPSA         | Pendant Stem  | Adj Accent        | X        |              | X       | X           |
| C2CSA          | Surface       | Adj Accent        | X        |              | X       |             |
| C2CPSDL        | Pendant Stem  | Downlight         | X        | X            |         | X           |
| C2CPSWW        | Pendant Stem  | Wall Wash         | X        |              |         | X           |
| C2CSDL         | Surface       | Downlight         | X        | X            |         |             |
| C2CWDL         | Wall          | Downlight         | X        | X            |         |             |
| C2CSWW         | Surface       | Wall Wash         | X        |              |         |             |
| C2CWWW         | Wall          | Wall Wash         | X        |              |         |             |
| C2CWUDW        | Wall          | Up/Down Wall Wash | X        |              |         |             |
| C2CWUD         | Wall          | Up/Down           | X        | X (2 needed) |         |             |

**Fixture**

example: C2CPSA10940Z10UA

| Series                          | Mounting   | Style   | Lumens  | CRI/CCT   | Dimming/Voltage   | Finish  |  |  |
|---------------------------------|--|---|---|---|---|---|--|--|
| <b>C2C</b>                      |  |   |   |   |   |   |  |  |
| C2C<br>Calculite<br>2" Cylinder | PCS Pendant w/Cable<br>6' power/cord<br>PCM Pendant w/Cable<br>12' power/cord<br>PCL Pendant w/Cable<br>20' power/cord | DL Downlight <sup>2</sup>   | 08 780lm  | 9D2W 90CRI/3000K-1800K                                | Z10U 0-10V 1% / Unv (120/277V)<br>ELV1 ELV (120V) / Unv (120/277V)<br>LO1U Lutron PEQ EcoSystem 0.1% / Unv (120/277V) | A Aluminum <sup>4</sup><br>B Black (matte) <sup>4</sup><br>W White (matte) <sup>4</sup><br>RAL RAL Color <sup>4,5</sup> |  |  |
|                                 |  |   | 07 700lm  | 927 90CRI/2700K                                       |   |   |  |  |
|                                 |  |   | 10 1000lm   | 930 90CRI/3000K<br>935 90CRI/3500K<br>940 90CRI/4000K |   |   |  |  |
|                                 | PS Pendant w/Stem <sup>1</sup><br>S Surface  | A Adjustable<br>Accent<br>(needs to be ordered<br>with Optics)                            | 07 700lm  | 927 90CRI/2700K                                       | Z10U 0-10V 1% / Unv (120/277V)<br>ELV1 ELV (120V) / Unv (120/277V)<br>LO1U Lutron PEQ EcoSystem 0.1% / Unv (120/277V) | A Aluminum<br>B Black (matte)<br>W White (matte)<br>RAL RAL Color <sup>5</sup>  |  |  |
|                                 |  |   | 10 1000lm   | 930 90CRI/3000K<br>935 90CRI/3500K<br>940 90CRI/4000K |   |   |  |  |
|                                 | PS Pendant w/Stem <sup>1</sup><br>S Surface<br>W Wall  | DL Downlight <sup>2</sup>   | DL Downlight <sup>2</sup>                             | 08 780lm  | 9D2W 90CRI/3000K-1800K  | Z10U 0-10V 1% / Unv (120/277V)<br>ELV1 ELV (120V) / Unv (120/277V)<br>LO1U Lutron PEQ EcoSystem 0.1% / Unv (120/277V)   | A Aluminum<br>B Black (matte)<br>W White (matte)<br>RAL RAL Color <sup>5</sup> |  |
|                                 |  |   |   | 07 700lm  | 927 90CRI/2700K   |   |  |  |
|                                 |  | 10 1000lm   | 930 90CRI/3000K<br>935 90CRI/3500K<br>940 90CRI/4000K |   |   |   |  |  |
|                                 | W Wall   | UDW Up/Down<br>Wall Wash <sup>5</sup><br>(lumens shown<br>divided equally<br>up and down) |   | 15 1500lm   | 927 90CRI/2700K   | Z10U 0-10V 1% / Unv (120/277V)<br>ELV1 ELV (120V) / Unv (120/277V)<br>LO1U Lutron PEQ EcoSystem 0.1% / Unv (120/277V)   | A Aluminum<br>B Black (matte)<br>W White (matte)<br>RAL RAL Color <sup>5</sup> |  |
|                                 |  |   |   | 20 2000lm   | 930 90CRI/3000K<br>935 90CRI/3500K<br>940 90CRI/4000K   |   |  |  |
|                                 |  |   |   |   | 16 1600lm   | 927 90CRI/2700K   | LO1U Lutron PEQ EcoSystem 0.1% / Unv (120/277V)                                |  |
|                                 |  |   |   |   | 930 90CRI/3000K<br>935 90CRI/3500K<br>940 90CRI/4000K   |   |  |  |
| W Wall                          | UD Direct/<br>Indirect <sup>2,3</sup><br>(lumens shown<br>divided equally<br>up and down)                              |   | 14 1400lm   | 927 90CRI/2700K                                       | LO1U Lutron PEQ EcoSystem 0.1% / Unv (120/277V)   | A Aluminum<br>B Black (matte)<br>W White (matte)<br>RAL RAL Color <sup>5</sup>  |  |  |
|                                 |  |   | 15 1500lm   | 930 90CRI/3000K<br>935 90CRI/3500K<br>940 90CRI/4000K |   |   |  |  |

- Pendant Stem (PS) mountings need to be ordered with a suspended stem kit accessory for pendants.
- Downlight (DL) styles need to be ordered with one Reflector.  
Wall Mount Direct/Indirect (WUD) styles need to be ordered with two Reflectors.
- Nominal lumens shown is total luminaire, equal up and down. Both up and down are controlled on one circuit.
- PCS/PCM/PCL mounting includes cable with matching finish to cylinder. RAL finish will be with a black cable.
- RAL standard colors can be specified upon request. Add RAL standard code to (RALxxxxx).



# C2C Calculite 2" Cylinder (round)

## Pendant, surface and wall mount luminaires

### Downlight Reflector (for downlight and up/downlight)

| Series                     | Beam         | Finish   |
|----------------------------|--------------|--|
| <b>C2CR</b>                |              |  |
| C2CR Calculite 2" Cylinder | W Wide (62°) | CL Clear<br>CC Comfort Clear<br>CD Comfort Clear Diffuse<br>CZ Champagne Bronze<br>WH White (matte)<br>BK Black (anodized)<br>BT Black Textured (painted)<br>WT White Textured (painted) |

### Adjustable Accent Optics

(for C2CPSA & C2CSA accents)

| Series                     | Beam  |
|----------------------------|---|
| <b>C2CO</b>                |   |
| C2CO Calculite 2" Cylinder | SP Spot (23°)<br>NFL Narrow Flood (35°)<br>FL Flood (40°) |

### Suspended Stem Kit Accessories (for C2CPS pendant)

| Series  | Length       | Finish                                     |
|---|--------------|--|
| <input type="text"/>                              |              |  |
| CA Calculite Accessory w/Round Canopy Stem Kit    | 36 36 inches | AL Aluminum                                |
| CASQ Calculite Accessory w/Square Canopy Stem Kit | 48 48 inches | BK Black (matte)                           |
|   | 60 60 inches | WH White (matte)                           |
|   | 72 72 inches | RAL RAL Color <sup>1</sup> (standard code) |

### Accessories (for all configurations)

| Series  | Finish                                     |
|---|--|
| <input type="text"/>  |  |
| CAXTC Calculite Round Conduit Feed Through Canopy Extender    | AL Aluminum                                |
| CASQXTC Calculite Square Conduit Feed Through Canopy Extender | BK Black (matte)                           |
|   | WH White (matte)                           |
|   | RAL RAL Color <sup>1</sup> (standard code) |

1. RAL standard colors can also be specified upon request. Add RAL standard code to (RALxxxx).

### Housing

#### Cylinder:

Extruded aluminum

#### Canopy:

Installation onto a 3" or 4"x1.5" octagonal junction box.

#### Surface mounting (C2CS):

Mounts directly to junction box.

#### Pendant cable mounting (C2CPC):

Canopy and field adjustable power cable included. Cylinder provided complete with canopy kit and 5-wire conductor cable. Cable finish matches that of cylinder for A, B, W finishes, and is black for RAL cylinder finish.

#### Pendant stem mounting (C2CPS):

Order with CASK or CASQSK stem accessory.

**Pendant power cable:** color to match cylinder finish (A, B, W). Black (BK) cable color for RAL finishes unless otherwise specified by customer.

#### Wall mounting (C2CW):

Pre-attached hardware allows for simple installation into wall mounted junction box.

### Drivers

**Z10U:** 0-10V 1% / Universal (120/277V)

**ELV1:** Electronic low voltage (120V ELV dimming) / Universal (120/277V)

**L01U:** Lutron PEQ EcoSystem (Dim to 0.1%) / Universal (120/277V), Lutron Hi-lume Premier 0.1% EcoSystem Small Form Factor LED Driver with Soft-On, Fade to Black Dimming Technology

### Optical systems

#### Downlight & Direct/Indirect:

True 50° physical cutoff and 45° reflected cutoff.

#### Wall Wash:

Polycarbonate TIR lens provides uniform distribution on the wall with minimal gap between luminaire and wall.

#### Quality of light:

2 SDCM ensures color consistency from fixture to fixture and over the luminaire's long lifetime. Proprietary optical grade silicone lens with patterned surface provides soft, even beam diffusion without hotspots or dark rings.

### Lumen packages

**Lumen Maintenance:** Predicted 70% lumen maintenance at 64,000 hrs.

**Direct/Indirect:** Can be ordered with different up and down lumen outputs through Special Order Process. Wall mount nominal lumens are total for luminaire divided up and down, and controlled on one circuit.

### Canopy Extender Accessories

Round (CAXTC) and square (CASQXTC) canopy extenders are available to accommodate direct conduit feed. Covers conduit connector (by others) for finished look. Specify finish per ordering matrix above. Use with standard 3" or 4"x1.5" octagonal junction box (by others). Canopy extenders may be used with all mounting types, and cable or stem suspended. See page 8 for dimensions and illustrations.

### Pendant accessories

**Stem mounting kit accessory:** Steel stem, 0.375" diameter (1/8" National Pipe Thread. 5-wire conductor cable runs alongside of stem for power and dimming. Magnetic attachment of canopy to junction box provides clean look free of hardware. Self-aligning swivel mounting system ensures cylinder hangs straight down. Stem can be cut in field for length adjustment (1/8" drill bit required for through hole).

### Energy Star exceptions

- For Downlights (DL), only Clear (CL) and Comfort Clear (CC) finishes are ENERGY STAR® certified.
- Wall mount up/down (WUD, WUDW) models are not certified.
- Lutron driver options are not ENERGY STAR® certified.

### Labels and Listings

- cULus listed for damp locations
- ENERGY STAR® certified
- RoHS certified

### Warranty



5 year limited warranty  
Visit [Signify.com/warranties](https://www.signify.com/warranties) for more information on Signify's standard 5-year limited warranty on complete luminaire systems.

# C2C Calculite 2" Cylinder (round)

Pendant, surface and wall mount luminaires

## Electrical

| Series   | Dimming | Lumens | Voltage | Amps | Wattage |
|--|---------|--------|---------|------|---------|
| C2CPC_DL<br>C2CPSDL<br>C2CSDL<br>C2CWDL<br>C2CPSWW<br>C2CSWW<br>C2CWWW | ELV     | 600lm  | 120V    | 0.07 | 9       |
|  |         | 1000lm |         | 0.12 | 14      |
|  |         | 600lm  | 277V    | 0.04 | 9       |
|  |         | 1000lm |         | 0.07 | 14      |
|  | 0-10V   | 600lm  | 120V    | 0.07 | 10      |
|  |         | 1000lm |         | 0.13 | 15.5    |
|  |         | 600lm  | 277V    | 0.05 | 10      |
|  |         | 1000lm |         | 0.08 | 15.5    |
|  | Lutron  | 600lm  | 120V    | 0.08 | 10      |
|  |         | 1000lm |         | 0.13 | 16      |
|  |         | 600lm  | 277V    | 0.06 | 10      |
|  |         | 1000lm |         | 0.08 | 16      |
| C2CPC_DL_9D2W<br>C2CPSDL_9D2W<br>C2CSDL_9D2W<br>C2CWDL_9D2W            | ELV     | 800lm  | 120V    | 0.11 | 14      |
|  |         |        | 277V    | 0.07 | 14      |
|  | 0-10V   | 800lm  | 120V    | 0.12 | 15      |
|  |         |        | 277V    | 0.08 | 15      |
|  | Lutron  | 800lm  | 120V    | 0.13 | 16      |
|  |         |        | 277V    | 0.08 | 16      |
| C2CWUD   | ELV     | 800lm  | 120V    | 0.17 | 21      |
|  |         |        | 277V    | 0.09 | 21      |
|  | 0-10V   | 800lm  | 120V    | 0.16 | 22      |
|  |         |        | 277V    | 0.1  | 22      |
|  | Lutron  | 600lm  | 120V    | 0.15 | 19      |
|  |         |        | 277V    | 0.09 | 19      |
| C2CWUDW  | ELV     | 600lm  | 120V    | 0.1  | 13      |
|  |         |        | 277V    | 0.05 | 13      |
|  |         | 1000lm | 120V    | 0.17 | 21      |
|  |         |        | 277V    | 0.09 | 21      |
|  | 0-10V   | 600lm  | 120V    | 0.12 | 14      |
|  |         |        | 277V    | 0.06 | 14      |
|  |         | 1000lm | 120V    | 0.09 | 22      |
|  |         |        | 277V    | 0.1  | 22      |
|  | Lutron  | 800lm  | 120V    | 0.14 | 17      |
|  |         |        | 277V    | 0.09 | 17      |

| Series          | Dimming | Lumens | Voltage | Amps | Wattage |
|-----------------|---------|--------|---------|------|---------|
| C2CPSA<br>C2CSA | ELV     | 600lm  | 120V    | 0.07 | 9       |
|                 |         |        | 277V    | 0.04 | 9       |
|                 |         | 1000lm | 120V    | 0.11 | 14      |
|                 |         |        | 277V    | 0.07 | 14      |
|                 | 0-10V   | 600lm  | 120V    | 0.08 | 10      |
|                 |         |        | 277V    | 0.05 | 10      |
|                 |         | 1000lm | 120V    | 0.12 | 15      |
|                 |         |        | 277V    | 0.08 | 15      |
|                 | Lutron  | 600lm  | 120V    | 0.08 | 10      |
|                 |         |        | 277V    | 0.04 | 10      |
| 1000lm          |         | 120V   | 0.13    | 16   |         |
|                 |         | 277V   | 0.08    | 16   |         |

## ELV

| Input | Brand   | Dimming Type  | Model No.   | Minimum dimming |
|-------|---------|---------------|-------------|-----------------|
| 120V  | Lutron  | Trailing edge | DVELV-303P  | 2%              |
|       |         |               | NTELV-600   | 2%              |
|       |         |               | MAELV-600   | 2%              |
|       |         |               | SELV-300P   | 2%              |
|       |         | Leading edge  | DV-600P     | 2%              |
|       |         |               | DVLV-600P   | 2%              |
|       |         |               | NFTU-5A     | 2%              |
|       |         |               | CTCL-153P   | 2%              |
|       |         |               | GL-600H     | 2%              |
|       |         |               | S-600P      | 2%              |
|       | S-600P  | 2%            |             |                 |
|       | Leviton | -             | IPE04       | 2%              |
|       | Philips | -             | CP400RPC120 | 2%              |

## Lutron

| Input         | Brand  | Model No.           | Minimum dimming         |
|---------------|--------|---------------------|-------------------------|
| 120V          | Lutron | QSN-1ECO-S          | L01U (0.1%)<br>L1U (1%) |
|               |        | QSN-2ECO-S          |                         |
|               |        | QSGRJ-_E (wireless) |                         |
|               |        | QSGR-_E (wireless)  |                         |
|               |        | QP2-_ _ 2C          |                         |
|               |        | QP2-_ _ 4C          |                         |
|               |        | QP2-_ _ 6C          |                         |
|               |        | QP2-_ _ 8C          |                         |
|               |        | LQSE-2ECO-D         |                         |
|               |        | 120/277V            | Lutron                  |
| FCJ/FCJS-ECO1 |        |                     |                         |

## 0-10V

| Input    | Brand   | Model No.   | Minimum dimming |
|----------|---------|-------------|-----------------|
| 120/277V | Lutron  | SR1200ZTUNV | 1%              |
|          | Leviton | IP7 series  | 1%              |
|          | Philips | SR1200ZTUNV | 1%              |

# C2C Calculite 2" Cylinder (round)

Pendant, surface and wall mount luminaires

## Reflector Finishes



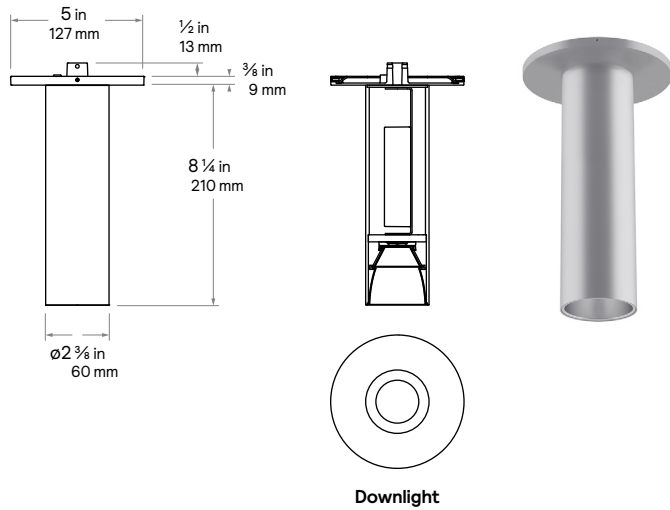
1. **Specular clear (CL):** Most specular and most efficient finish, delivers maximum photometric performance but can produce a mirror image effect of the interior space.
2. **Comfort clear (CC):** Semi-specular finish that softens the light at the source of the reflector and creates a subtle, even luminance from the reflector cone.
3. **Comfort clear diffuse (CD):** Slightly diffuse clear finish, that eliminates iridescence and reduces the mirror image effect inherent with specular finishes.

4. **White (WH):** Brightest illuminated aperture (matte white) and provides the smoothest transition to most ceilings when off.
5. **Black (BK):** Specular finish (anodized) that provides the lowest aperture brightness possible and significantly reduces source identification in a ceiling.
6. **Champagne bronze (CZ):** Semi-specular finish that softens light at the source of the reflector while providing a warmer reflector appearance (slightly warmer).

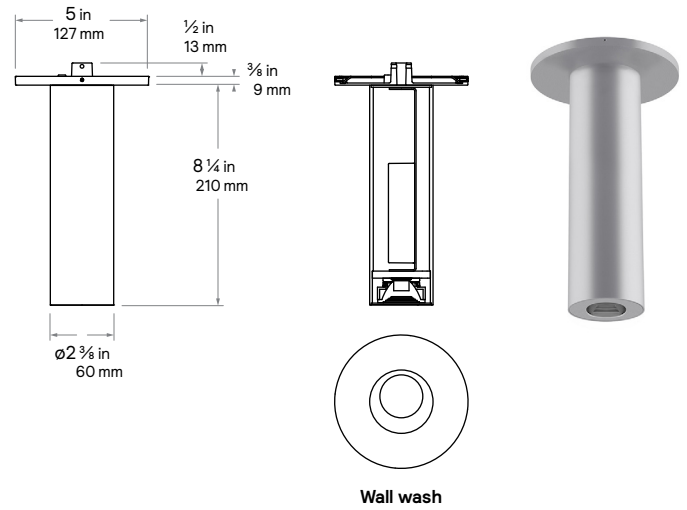
# C2C Calculite 2" Cylinder (round)

Pendant, surface and wall mount luminaires

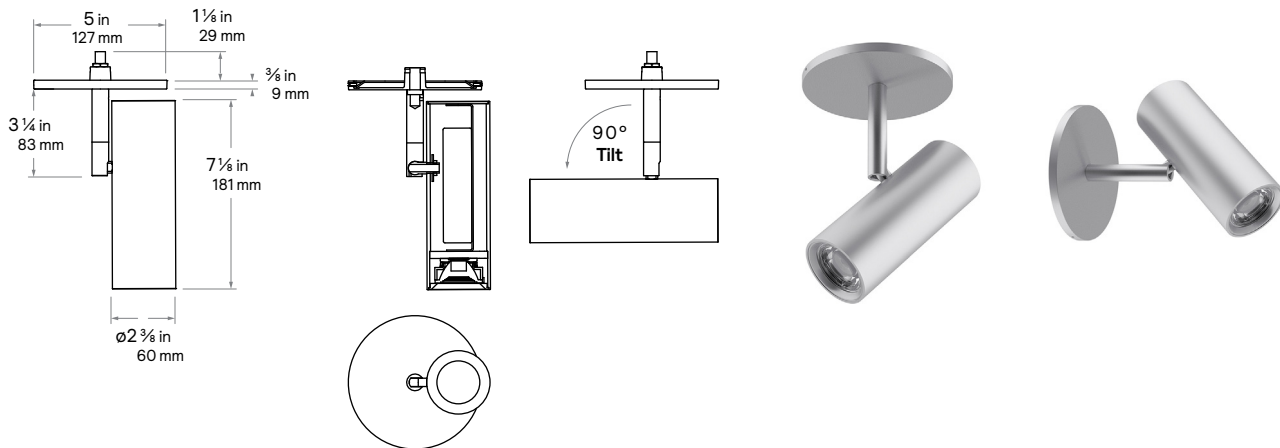
## Downlight Surface Mount



## Wall Wash Surface Mount



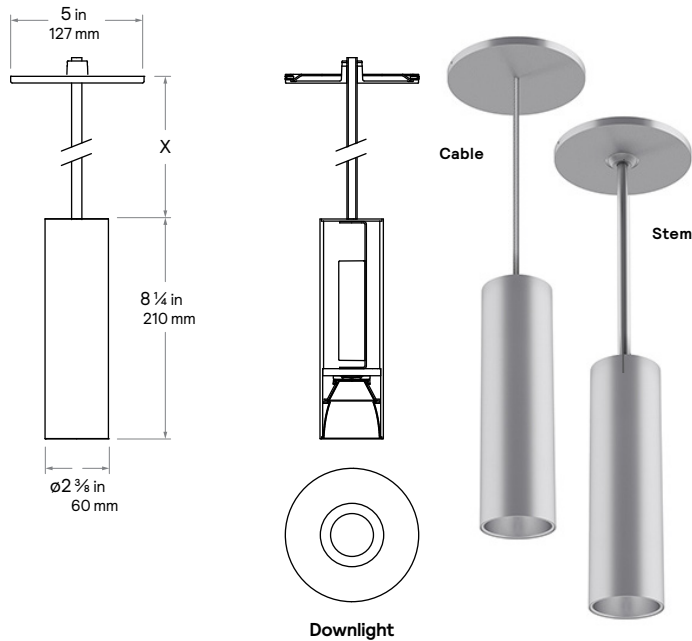
## Adjustable Accent Surface Mount (Ceiling or wall)



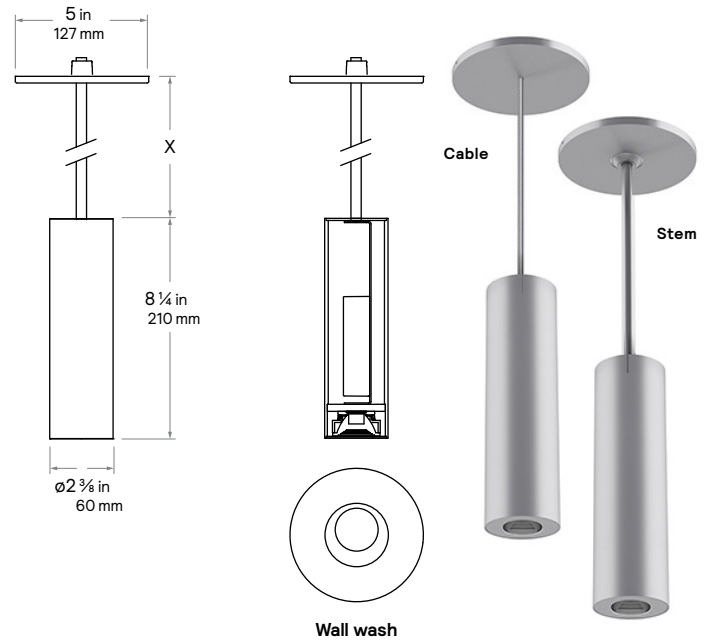
# C2C Calculite 2" Cylinder (round)

Pendant, surface and wall mount luminaires

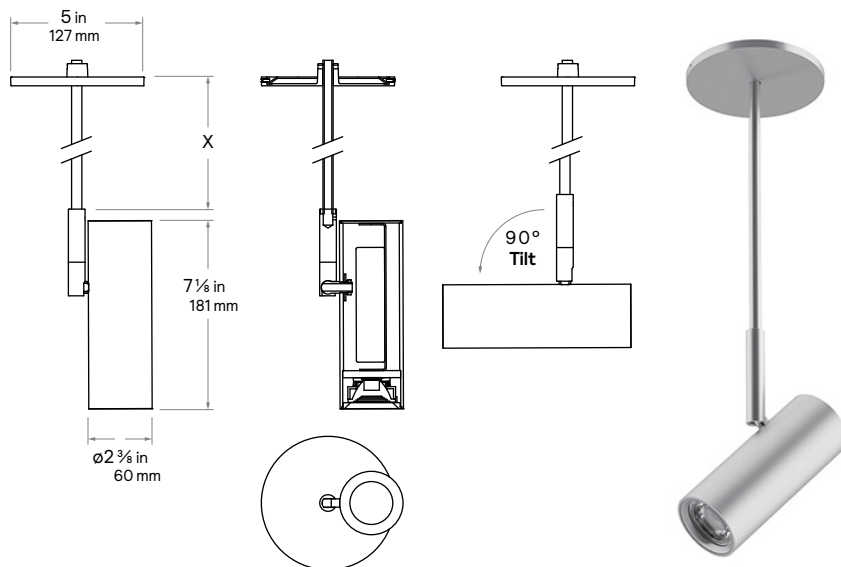
## Downlight Pendant Mount (with cable or stem)



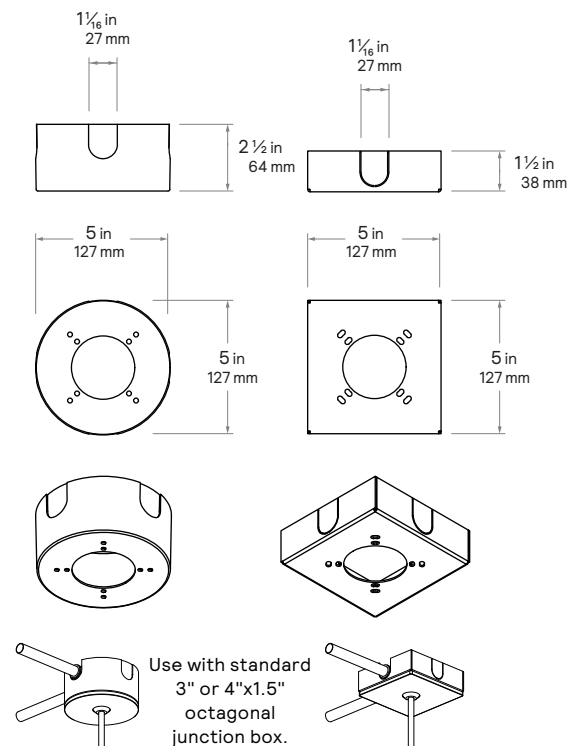
## Wall Wash Pendant Mount (with cable or stem)



## Adjustable Accent Pendant Mount



## Canopy Extender

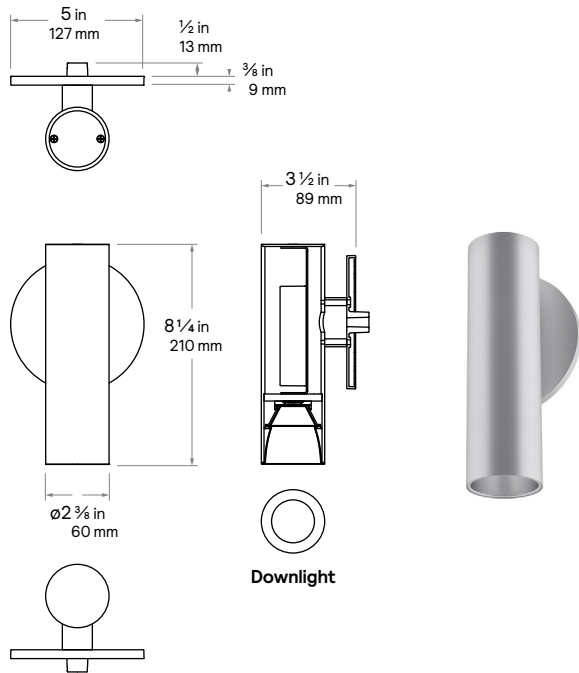


Pre-fabricated knock outs accommodate straight through or 90deg conduit direction. Standard cable and pendant canopies attach directly to the extender box as illustrated above.

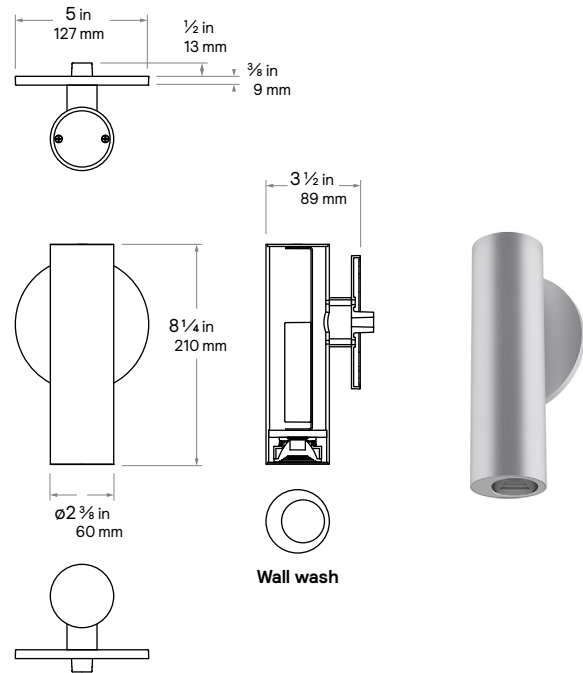
# C2C Calculite 2" Cylinder (round)

Pendant, surface and wall mount luminaires

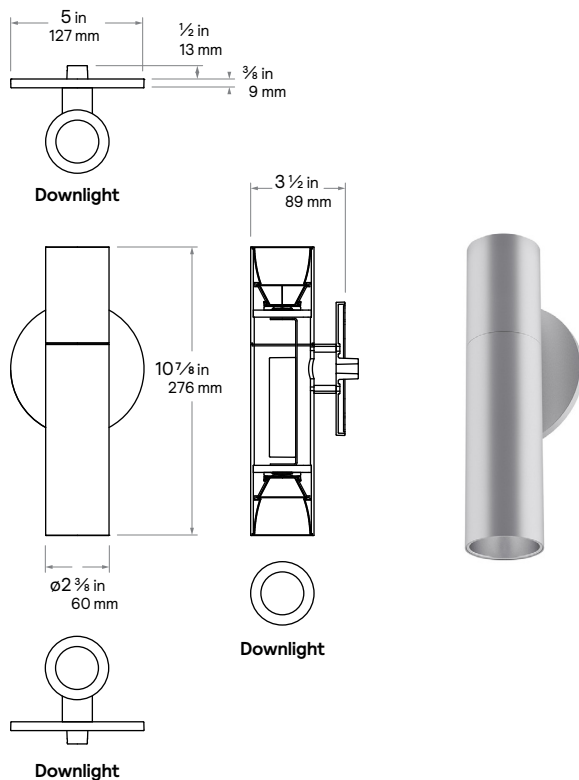
## Downlight Wall Mount



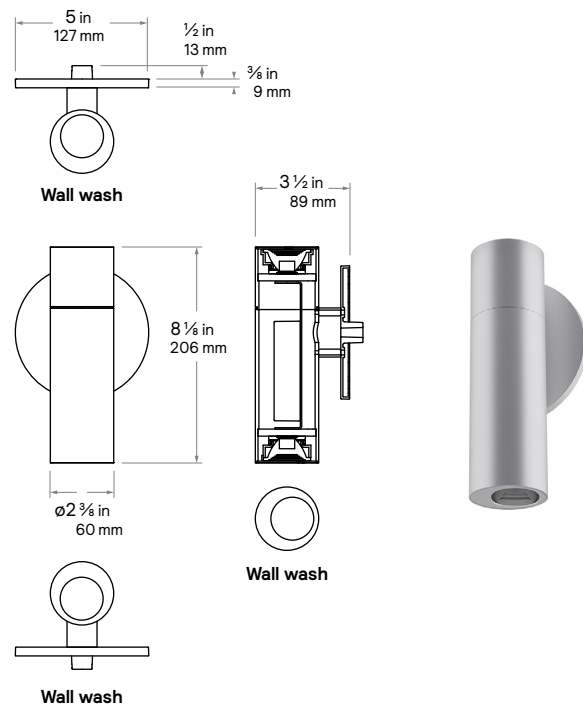
## Wall Wash Wall Mount



## Up/Downlight Wall Mount



## Up/Down Wall Wash Wall Mount

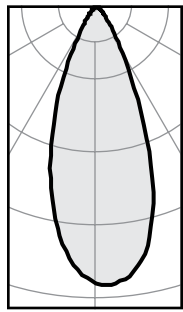


# C2C Calculite 2" Cylinder (round)

## Pendant, surface and wall mount luminaires

### Downlight, 1000lm engine, 76.0 lm/W at 13W

#### Candela Curve



Fixture: **C2CSDL10935ELV1B**  
Reflector: **C2CRWCL**

Output lumens: 988 lms  
Input watts: 13 W\*  
CRI: 90 min  
CCT<sup>1</sup>: 3500K  
Spacing Crit.: 0.76  
\*Wattage controlled to within 5%.

#### Zonal summary

| Zone | Lumens | %Luminaire |
|------|--------|------------|
| 0-30 | 561    | 56.8%      |
| 0-40 | 772    | 78.1%      |
| 0-60 | 984    | 99.6%      |
| 0-90 | 988    | 100.0%     |

| Angle | MeanCP | Lumens |
|-------|--------|--------|
| 0     | 1106   |        |
| 5     | 1091   |        |
| 10    | 1006   | 99     |
| 15    | 864    |        |
| 20    | 684    | 230    |
| 25    | 519    |        |
| 30    | 405    | 232    |
| 35    | 344    |        |
| 40    | 302    | 210    |
| 45    | 260    |        |
| 50    | 145    | 179    |
| 55    | 19     |        |
| 60    | 3      | 33     |
| 65    | 2      |        |
| 70    | 1      | 2      |
| 75    | 0      |        |
| 80    | 0      | 1      |
| 85    | 0      |        |
| 90    | 0      |        |

#### Single unit data

| Height to lighted plane | Initial center beam foot-candles | Beam diameter (ft)* |
|-------------------------|----------------------------------|---------------------|
| 5'                      | 44                               | 3.8'                |
| 6'                      | 31                               | 4.6'                |
| 7'                      | 23                               | 5.3'                |
| 8'                      | 17                               | 6.1'                |
| 9'                      | 14                               | 6.8'                |

\* Beam diameter is where foot-candles drop to 50% of maximum.

#### Multiple unit data - RCR 2

| Spacing on center | Initial center beam foot-candles | Watts per sq. ft. |
|-------------------|----------------------------------|-------------------|
| 5'                | 44.0                             | 0.58              |
| 6'                | 29.0                             | 0.38              |
| 7'                | 21.0                             | 0.27              |
| 8'                | 17.0                             | 0.23              |
| 9'                | 14.0                             | 0.18              |

38' x 38' x 10' Room, Workplane 2.5' above floor, 80/50/20% Reflectances

Efficacy: **76.0lm/w**  
Report<sup>2</sup>: LRQB2261-21

#### Adjustment Factors

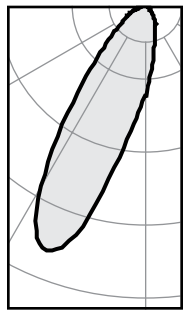
| Finish    | CR1/CCT            |
|-----------|--------------------|
| CL = 100% | WT = 85%           |
| CC = 97%  | WH = 82%           |
| CD = 86%  | BK = 50%           |
| CZ = 64%  | BT = 46%           |
|           | 90CRI 4000K = 104% |
|           | 90CRI 3500K = 100% |
|           | 90CRI 3000K = 96%  |
|           | 90CRI 2700K = 90%  |

#### Coefficients of utilization

| Ceiling           | 80%   |     |     |     | 70% |     |     |     | 50% |     |     |     | 30% |     |     |     | 0% |
|-------------------|---|-----|-----|-----|-----|-----|-----|-----|-----|-----|-----|-----|-----|-----|-----|-----|----|
|                   | 70  | 50  | 30  | 10  | 50  | 10  | 50  | 10  | 50  | 10  | 50  | 10  | 50  | 10  | 50  | 10  | 0  |
| RCR               | Zonal cavity method - Effective floor reflectance = 20% |     |     |     |     |     |     |     |     |     |     |     |     |     |     |     |    |
| Room Cavity Ratio | 0   | 119 | 119 | 119 | 119 | 116 | 116 | 111 | 111 | 106 | 106 | 100 | 100 | 106 | 106 | 100 |    |
|                   | 1   | 113 | 110 | 107 | 105 | 108 | 103 | 104 | 100 | 100 | 97  | 92  | 100 | 97  | 92  | 85  |    |
|                   | 2   | 107 | 101 | 97  | 93  | 100 | 92  | 96  | 90  | 93  | 88  | 85  | 93  | 88  | 85  | 77  |    |
|                   | 3   | 101 | 94  | 88  | 84  | 92  | 83  | 89  | 82  | 87  | 80  | 77  | 87  | 80  | 77  | 71  |    |
|                   | 4   | 95  | 86  | 80  | 76  | 85  | 75  | 83  | 74  | 81  | 73  | 71  | 81  | 73  | 71  | 65  |    |
|                   | 5   | 89  | 80  | 74  | 69  | 79  | 69  | 77  | 68  | 76  | 67  | 65  | 76  | 67  | 65  | 60  |    |
|                   | 6   | 84  | 74  | 68  | 63  | 74  | 63  | 72  | 63  | 71  | 62  | 60  | 71  | 62  | 60  | 56  |    |
|                   | 7   | 80  | 69  | 63  | 58  | 69  | 58  | 67  | 58  | 66  | 57  | 56  | 66  | 57  | 56  | 52  |    |
|                   | 8   | 75  | 65  | 58  | 54  | 64  | 54  | 63  | 54  | 62  | 53  | 52  | 62  | 53  | 52  | 48  |    |
|                   | 9   | 71  | 61  | 54  | 50  | 60  | 50  | 59  | 50  | 58  | 50  | 48  | 58  | 50  | 48  | 45  |    |
|                   | 10  | 68  | 57  | 51  | 47  | 57  | 47  | 56  | 47  | 55  | 46  | 45  | 55  | 46  | 45  |     |    |

### Wall Wash, 1000lm engine, 85.2 lm/W at 13W

#### Candela Curve



Fixture: **C2CSWW10935**

Output lumens: 1107 lms  
Input watts: 13 W\*  
CRI: 90 min  
CCT<sup>1</sup>: 3500K  
Candela: 1802  
\*Wattage controlled to within 5%.

#### Multiple unit data

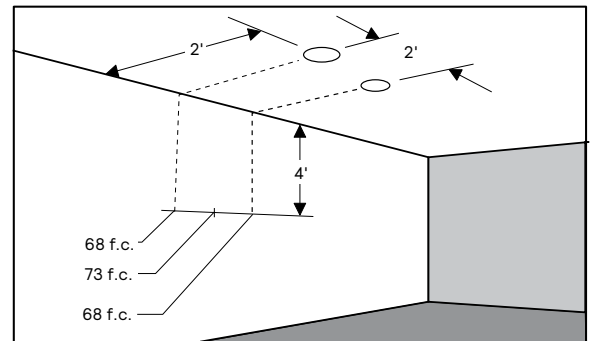
Footcandles on wall

| Distance from ceiling in feet | 2' from wall |    |    |
|-------------------------------|--------------|----|----|
|                               | 2' on ctr.   |    |    |
| 1                             | 28           | 26 | 28 |
| 2                             | 55           | 53 | 55 |
| 3                             | 74           | 77 | 74 |
| 4                             | 68           | 73 | 68 |
| 5                             | 49           | 53 | 49 |
| 6                             | 34           | 36 | 34 |
| 7                             | 23           | 24 | 23 |
| 8                             | 16           | 17 | 16 |
| 9                             | 11           | 12 | 11 |
| 10                            | 9            | 10 | 9  |
| 11                            | 7            | 8  | 7  |
| 12                            | 5            | 6  | 6  |

#### Multiple unit data

Footcandles on wall

| Distance from ceiling in feet | 2' from wall |    |    |
|-------------------------------|--------------|----|----|
|                               | 3' on ctr.   |    |    |
| 1                             | 19           | 16 | 19 |
| 2                             | 40           | 35 | 40 |
| 3                             | 51           | 47 | 51 |
| 4                             | 49           | 47 | 49 |
| 5                             | 37           | 37 | 37 |
| 6                             | 26           | 26 | 26 |
| 7                             | 18           | 19 | 18 |
| 8                             | 13           | 13 | 13 |
| 9                             | 10           | 10 | 10 |
| 10                            | 7            | 7  | 7  |
| 11                            | 6            | 6  | 6  |
| 12                            | 5            | 5  | 5  |



Efficacy: **85.2 lm/w**  
Report<sup>2</sup>: LRQB2261-28B

1. Correlated Color Temperature within specs as defined in ANSI\_NEMA\_ANSLG C78.377-2008: Specifications for the Chromaticity of Solid State Lighting Products.  
2. Tested using absolute photometry as specified in LM79: IESNA Approved Method for the Electrical and Photometric Measurements of Solid-State Lighting Products.

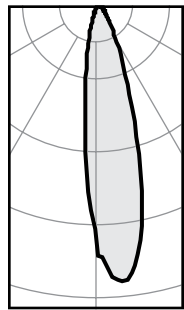


# C2C Calculite 2" Cylinder (round)

Pendant, surface and wall mount luminaires

## Downlight (Wall Mount), 1000lm engine, 95.7 lm/W at 13W

### Candela Curve



### Zonal summary

| Zone | Lumens | %Luminaire |
|------|--------|------------|
| 0-30 | 1043   | 83.8%      |
| 0-40 | 1147   | 92.2%      |
| 0-60 | 1224   | 98.4%      |
| 0-90 | 1244   | 100.0%     |

| Angle | MeanCP | Lumens |
|-------|--------|--------|
| 0     | 4675   |        |
| 5     | 5176   |        |
| 10    | 4468   | 350    |
| 15    | 2877   |        |
| 20    | 1588   | 460    |
| 25    | 887    |        |
| 30    | 494    | 233    |
| 35    | 295    |        |
| 40    | 200    | 104    |
| 45    | 145    |        |
| 50    | 105    | 51     |
| 55    | 75     |        |
| 60    | 51     | 26     |
| 65    | 34     |        |
| 70    | 20     | 12     |
| 75    | 9      |        |
| 80    | 3      | 4      |
| 85    | 1      |        |
| 90    | 0      |        |

Fixture: **C2CWWW10935ELV1B**

Output lumens: 1244 lms  
 Input watts: 13 W\*  
 CRI: 90 min  
 CCT<sup>1</sup>: 3500K

\*Wattage controlled to within 5%.

### Coefficients of utilization

| Ceiling           | 80%   |     |     |     | 70% |     | 50% |     | 30% |     | 0%  |     |
|-------------------|---|-----|-----|-----|-----|-----|-----|-----|-----|-----|-----|-----|
|                   | 70  | 50  | 30  | 10  | 50  | 10  | 50  | 10  | 50  | 10  | 0   |     |
| Wall              | 70  | 50  | 30  | 10  | 50  | 10  | 50  | 10  | 50  | 10  | 0   |     |
| RCR               | Zonal cavity method - Effective floor reflectance = 20% |     |     |     |     |     |     |     |     |     |     |     |
| Room Cavity Ratio | 0   | 119 | 119 | 119 | 119 | 116 | 116 | 111 | 111 | 106 | 106 | 100 |
| 1                 | 112   | 109 | 106 | 103 | 107 | 102 | 103 | 98  | 99  | 95  | 91  | 91  |
| 2                 | 105   | 99  | 94  | 90  | 97  | 89  | 94  | 87  | 91  | 85  | 81  | 81  |
| 3                 | 98  | 90  | 84  | 79  | 88  | 78  | 86  | 77  | 83  | 76  | 72  | 72  |
| 4                 | 91  | 82  | 75  | 69  | 80  | 69  | 78  | 68  | 76  | 67  | 65  | 65  |
| 5                 | 85  | 74  | 67  | 62  | 73  | 61  | 71  | 61  | 70  | 60  | 58  | 58  |
| 6                 | 79  | 68  | 61  | 55  | 67  | 55  | 65  | 55  | 64  | 54  | 52  | 52  |
| 7                 | 74  | 62  | 55  | 50  | 62  | 50  | 60  | 49  | 59  | 49  | 47  | 47  |
| 8                 | 69  | 57  | 50  | 45  | 57  | 45  | 56  | 45  | 54  | 44  | 42  | 42  |
| 9                 | 65  | 53  | 46  | 41  | 52  | 41  | 51  | 41  | 50  | 40  | 39  | 39  |
| 10                | 61  | 49  | 42  | 37  | 49  | 37  | 48  | 37  | 47  | 37  | 35  | 35  |

Efficacy: **95.7lm/w**  
 Report#: LRQB2261-29

1. Correlated Color Temperature within specs as defined in ANSI\_NEMA\_ANSI C78.377-2008: Specifications for the Chromaticity of Solid State Lighting Products.  
 2. Tested using absolute photometry as specified in LM79: IESNA Approved Method for the Electrical and Photometric Measurements of Solid-State Lighting Products.

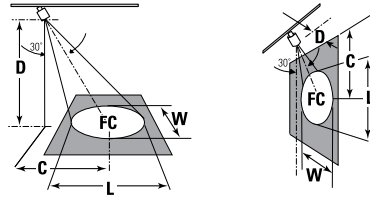
# C2C Calculite 2" Cylinder (round)

## Pendant, surface and wall mount luminaires

### Aiming angles

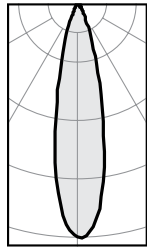
L and W are the outer points where the candle power drops to 50% of the maximum. FC are the initial footcandles at the center of the beam. Data shown is for 3000K, use the table on the right for CRI/CCT adjustment factors.

**FC** Footcandles  
**L** Beam length  
**W** Beam Width  
**D** Distance  
**A** Aiming Angle  
**C** Distance to center beam  
**CBCP** Center Beam Candlepower



### Adjustment Factors

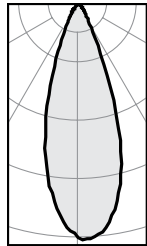
| Finish    |          | CRI/CCT            |
|-----------|----------|--------------------|
| CL = 100% | WT = 85% | 90CRI 4000K = 104% |
| CC = 97%  | WH = 82% | 90CRI 3500K = 100% |
| CD = 86%  | BK = 50% | 90CRI 3000K = 96%  |
| CZ = 64%  | BT = 46% | 90CRI 2700K = 90%  |



Fixture: **C2CSA10935**  
 Reflector: **C2COS**  
 Output lumens: 1131lms  
 Input watts: 13W  
 CRI: 90 min  
 CCT<sup>1</sup>: 3500K  
 CBCP: 4999 cd  
 Beam Angle: 23°  
**Efficacy: 87.0lm/w**  
 Report<sup>2</sup>: LRQB2261-30

### Spot, 1000lm engine, 87.0 lm/W at 13W

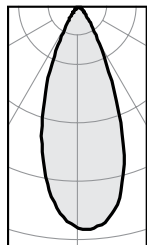
| 30° Horizontal Aiming |     |      |      |     | 30° Vertical Aiming |     |      |      |     |
|-----------------------|-----|------|------|-----|---------------------|-----|------|------|-----|
| Distance              |     | F.C. | Beam |     | Distance            |     | F.C. | Beam |     |
| D                     | C   |      | L    | W   | D                   | C   |      | L    | W   |
| 6                     | 3.5 | 90   | 3.3  | 2.8 | 2                   | 3.5 | 156  | 3.7  | 1.6 |
| 8                     | 4.6 | 51   | 4.4  | 3.8 | 3                   | 5.2 | 69   | 5.6  | 2.4 |
| 10                    | 5.8 | 32   | 5.5  | 4.7 | 4                   | 6.9 | 39   | 7.4  | 3.3 |
| 12                    | 6.9 | 23   | 6.6  | 5.6 | 5                   | 8.7 | 25   | 9.3  | 4.1 |



Fixture: **C2CSA10935**  
 Reflector: **C2COS**  
 Output lumens: 1223lms  
 Input watts: 13W  
 CRI: 90 min  
 CCT<sup>1</sup>: 3500K  
 CBCP: 3015 cd  
 Beam Angle: 35°  
**Efficacy: 94.1lm/w**  
 Report<sup>2</sup>: LRQB2261-31

### Narrow Flood, 1000lm engine, 94.1 lm/W at 13W

| 30° Horizontal Aiming |     |      |      |     | 30° Vertical Aiming |     |      |      |     |
|-----------------------|-----|------|------|-----|---------------------|-----|------|------|-----|
| Distance              |     | F.C. | Beam |     | Distance            |     | F.C. | Beam |     |
| D                     | C   |      | L    | W   | D                   | C   |      | L    | W   |
| 6                     | 3.5 | 54   | 5.2  | 4.4 | 2                   | 3.5 | 94   | 7.2  | 2.5 |
| 8                     | 4.6 | 31   | 7.0  | 5.8 | 3                   | 5.2 | 42   | 10.8 | 3.8 |
| 10                    | 5.8 | 20   | 8.7  | 7.3 | 4                   | 6.9 | 24   | 14.4 | 5.0 |
| 12                    | 6.9 | 14   | 10.4 | 8.7 | 5                   | 8.7 | 15   | 18.0 | 6.3 |



Fixture: **C2CSA10935**  
 Reflector: **C2COF**  
 Output lumens: 1177lms  
 Input watts: 13W  
 CRI: 90 min  
 CCT<sup>1</sup>: 3500K  
 CBCP: 2278 cd  
 Beam Angle: 40°  
**Efficacy: 90.5lm/w**  
 Report<sup>2</sup>: LRQB2261

### Flood, 1000lm engine, 90.5 lm/W at 13W

| 30° Horizontal Aiming |     |      |      |      | 30° Vertical Aiming |     |      |      |     |
|-----------------------|-----|------|------|------|---------------------|-----|------|------|-----|
| Distance              |     | F.C. | Beam |      | Distance            |     | F.C. | Beam |     |
| D                     | C   |      | L    | W    | D                   | C   |      | L    | W   |
| 6                     | 3.5 | 41   | 6.1  | 5.0  | 2                   | 3.5 | 71   | 9.7  | 2.9 |
| 8                     | 4.6 | 23   | 8.1  | 6.7  | 3                   | 5.2 | 32   | 14.5 | 4.4 |
| 10                    | 5.8 | 15   | 10.2 | 8.4  | 4                   | 6.9 | 18   | 19.3 | 5.8 |
| 12                    | 6.9 | 10   | 12.2 | 10.1 | 5                   | 8.7 | 11   | 24.2 | 7.3 |

1. Correlated Color Temperature within specs as defined in ANSI\_NEMA\_ANSI C78.377-2008: Specifications for the Chromaticity of Solid State Lighting Products.  
 2. Tested using absolute photometry as specified in LM79: IESNA Approved Method for the Electrical and Photometric Measurements of Solid-State Lighting Products.