

Day-Brite



by Signify

Surface

Surface Modular LED 1x4

2200, 3200, 4200 or 5000 lumens



Day-Brite / CFI LED Surface modular luminaire is a shallow body, surface mounted premium grade luminaire with a variety of door frames and lens options available.

Project: _____
 Location: _____
 Cat.No: _____
 Type: _____
 Lamps: _____ Qty: _____
 Notes: _____

Ordering guide

Example: 1SML42L840-4-FS-02F-UNV-DIM

Width	Family	Lumen Package ¹	Color	Length	Door Frame	Lens	Voltage	Driver	Options
1	SML		-	4	-		-	-	
1 1'	SML Surface Modular LED	22L 2200lm 32L 3200lm 42L 4200lm 50L 5000lm	830 3000K, 80CRI 835 3500K, 80CRI 840 4000K, 80CRI 850 5000K, 80CRI	4 4'	FS Flat Steel TFS Tamper Resistant Flat Steel	02F Pattern 12, .100" nominal diffuse 50% 12F DB-12, .125" nominal diffuse 50% 19F DB-19, .156" nominal diffuse 50%	120 277 347 UNV Universal Voltage 120-277V	DIM 0-10V dimming SDIM Step dimming to 40% input power XDIM ² MarkX phase dimming	F1 3/8" flex, 3 wire, 18 gauge 6' F2 3/8" flex, 4 wire, 18 gauge 6' F1/D 3/8" twin flex, 3 wire, 18 gauge 6', for dimmable luminaires F2/SW 3/8" single flex, 5 wire, 18 gauge 6', for dimmable luminaires EMLED ³ Integral emergency battery pack 1W 1-way gasket between lens & door frame (not avail. for RA door frame) 2W 1-way & gasket between door frame & housing GLR Fusing, fast blow DSC Quick driver disconnect BAC ⁴ Meets the requirements of the Buy American Act of 1933 (BAA)

Footnotes

- Nominal lumens delivered
- XDIM option requires 120V to be specified
- Philips Bodine BSL310 1100 nominal lumens
- Failure to properly select the "BAC" suffix could result in you receiving product that is not BAA compliant product with no recourse for an RMA or refund. This BAC designation hereunder does not address (i) the applicability of, or availability of a waiver under, the Trade Agreements Act, or (ii) the "Buy America" domestic content requirements imposed on states, localities, and other non-federal entities as a condition of receiving funds administered by the Department of Transportation or other federal agencies.
- Consult Signify to confirm whether specific accessories are BAA-compliant.

Energy data

Luminaire	Catalog Number	Input Power	Efficacy
1x4	1SML32L840	29.7	111.9
	1SML42L840	39.2	109.6
	1SML50L840	47.4	108.2

Accessories⁵ (order separately)

- TPDTH Tamper proof driver, Torx T-15 head pin drive and handle (required with TR option)
- CS-400 Rigid canopy
- CS-500 42" top swivel canopy
- CS-12 12" Stem
- CS-18 18" Stem
- CS-24 24" Stem
- CS-30 30" Stem
- CS-36 36" Stem
- CS-48 48" Stem



1SML Surface Modular LED luminaire 1x4

2200, 3200, 4200, or 5000 lumens

Application

- High efficacy long life solid state lighting platform.
- General lighting distribution is excellent for ambient lighting.
- High CRI source provides excellent color rendering, 80 CRI minimum.
- LEDs are an excellent source for use with controls since frequent switching does not affect the life of the light source.

Construction/Finish

- Surface or pendant mounting requires 2 stems.
- 4" deep metal sided unit.
- Housing is multi-stage phosphate treated for maximum corrosion resistance and painted after fabrication with white polyester powder coating.
- K.O.'s provided in ends allow individual or continuous row mounting.

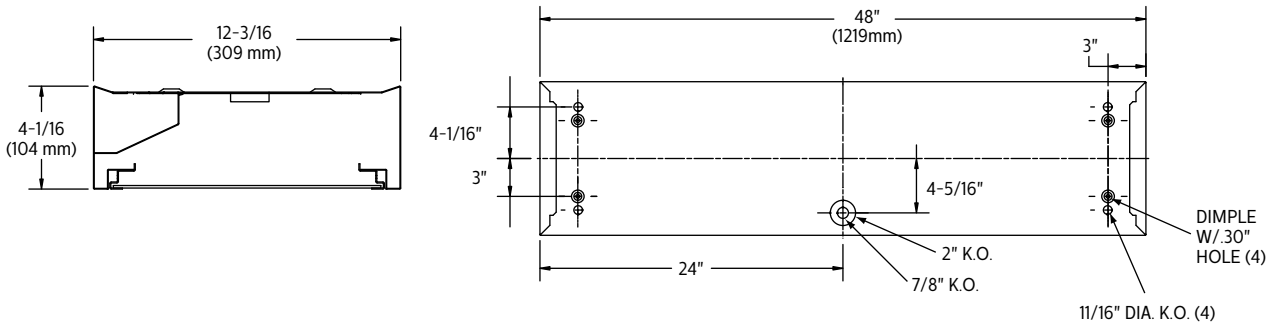
Electrical

- Standard 0–10V dimming.
- Driver and LED boards are accessible from below. LED boards are individually replaceable if required.
- Five-year luminaire limited warranty including LED boards and driver. Visit www.philips.com/warranties for complete warranty information.
- High efficiency LEDs have 50,000 hour rated life (defined by testing at 70% lumen maintenance (L70)), based on 25°C ambient operating temperature.
- cETLus listed to UL and CSA standards, suitable for damp location.
- Many luminaire components, such as reflectors, refractors, lenses, sockets, lampholders, and LEDs are made from various types of plastics which can be adversely affected by airborne contaminants. If sulfur based chemicals, petroleum based products, cleaning solutions, or other contaminants are expected in the intended area of use, consult factory for compatibility.

Enclosure

- Mitered corner door frames painted after fabrication with a choice of Flat Steel, or Tamper Resistant Flat Steel.
- Door frames standard with guide post spring loaded latches.
- Prismatic acrylic pattern 12 lens standard (O2F). Other lenses optional.
- Can be hinged and latched from either side.
- TFA Door latches secured with 2 Torx head pin drive screws
- Special screwdriver required for TFA door, catalog #TPDTH sold separately

Dimensions



Photometry

Surface Modular LED 1x4 3200 nominal delivered lumens

LER – 112

Catalog No.	ISML32L840-4-FA-O2F-UNV-DIM	Candlepower				Light Distribution			Average Luminance			
		Angle	End	45	Cross	Degrees	Lumens	% Luminaire	Angle	End	45°	Cross
Test No.	36646	0	1586	1586	1586	0-30	1187	35.7	45	4071	3764	3368
S/MH	1.1	5	1560	1577	1584	0-40	1857	55.8	55	3044	2615	2311
Lamp Type	LED	15	1491	1504	1504	0-60	2839	85.3	65	2397	2016	2012
Lumens	3327	25	1343	1339	1322	0-90	3327	100.0	75	2207	2016	2234
Input Watts	30	35	1113	1080	1029	0-180	3327	100.0	85	2505	2213	2477
		45	825	763	683							
		55	501	430	380							
		65	290	244	244							
		75	164	150	166							
		85	63	55	62							

Comparative yearly lighting energy cost per 1000 lumens – \$2.14 based on 3000 hrs. and \$.08 pwr KWH.

The photometric results were obtained in the Day-Brite laboratory which is NVLAP accredited by the National Institute of Standards and Technology.

Coefficients of Utilization											
EFFECTIVE FLOOR CAVITY REFLECTANCE 20 PER (pfc=0.20)											
pcc	80	70	50	70	50	30	50	30	50	30	
pw											
RCR											
0	118	118	118	115	115	115	111	111			
1	110	105	102	107	103	100	98	95			
2	101	93	86	97	92	85	88	82			
3	93	82	76	91	81	75	79	72			
4	85	75	67	83	73	66	70	65			
5	80	68	59	78	67	58	65	57			
6	73	61	53	71	60	53	58	52			
7	68	56	47	67	56	47	54	46			
8	65	52	44	63	51	44	50	42			
9	59	47	40	58	46	40	46	39			
10	56	44	36	56	44	36	42	35			

1SML Surface Modular LED luminaire 1x4

2200, 3200, 4200, or 5000 lumens

Surface Modular LED 1x4 4200 nominal delivered lumens

LER – 110

Catalog No.	1SML42L840-4-FA-02F-UNV-DIM	Candlepower				Light Distribution			Average Luminance			
		Angle	End	45	Cross	Degrees	Lumens	% Luminaire	Angle	End	45'	Cross
Test No.	36647	0	2039	2039	2039	0-30	1526	35.5	45	5232	4854	4331
S/MH	1.1	5	2006	2028	2037	0-40	2388	55.6	55	4173	3614	3090
Lamp Type	LED	15	1918	1933	1934	0-60	3670	85.4	65	3076	2602	2586
Lumens	4298	25	1728	1722	1699	0-90	4298	100.0	75	2837	2591	2869
Input Watts	39	35	1431	1391	1323	0-180	4298	100.0	85	3238	2829	3133
		45	1061	984	878							
		55	686	594	508							
		65	373	315	313							
		75	211	192	213							
		85	81	71	78							

Comparative yearly lighting energy cost per 1000 lumens – \$2.18 based on 3000 hrs. and \$.08 pwr KWH.

The photometric results were obtained in the Day-Brite laboratory which is NVLAP accredited by the National Institute of Standards and Technology.

Surface Modular LED 1x4 5000 nominal delivered lumens

LER – 108

Catalog No.	1SML50L840-4-FA-02F-UNV-DIM	Candlepower				Light Distribution			Average Luminance			
		Angle	End	45	Cross	Degrees	Lumens	% Luminaire	Angle	End	45'	Cross
Test No.	36648	0	2424	2424	2424	0-30	1814	35.4	45	6227	5767	5182
S/MH	1.1	5	2384	2411	2421	0-40	2842	55.4	55	4967	4305	3796
Lamp Type	LED	15	2279	2299	2298	0-60	4380	85.3	65	3667	3094	3089
Lumens	5132	25	2054	2048	2019	0-90	5132	100.0	75	3382	3086	3432
Input Watts	47	35	1701	1653	1578	0-180	5132	100.0	85	3846	3386	3830
		45	1263	1169	1051							
		55	817	708	624							
		65	444	375	374							
		75	251	229	255							
		85	96	85	96							

Comparative yearly lighting energy cost per 1000 lumens – \$2.22 based on 3000 hrs. and \$.08 pwr KWH.

The photometric results were obtained in the Day-Brite laboratory which is NVLAP accredited by the National Institute of Standards and Technology.



© 2021 Signify Holding. All rights reserved. The information provided herein is subject to change, without notice. Signify does not give any representation or warranty as to the accuracy or completeness of the information included herein and shall not be liable for any action in reliance thereon. The information presented in this document is not intended as any commercial offer and does not form part of any quotation or contract, unless otherwise agreed by Signify.

Signify North America Corporation
200 Franklin Square Drive,
Somerset, NJ 08873
Telephone 855-486-2216

Signify Canada Ltd.
281 Hillmount Road,
Markham, ON, Canada L6C 2S3
Telephone 800-668-9008

All trademarks are owned by Signify Holding or their respective owners.