

# Day-Brite

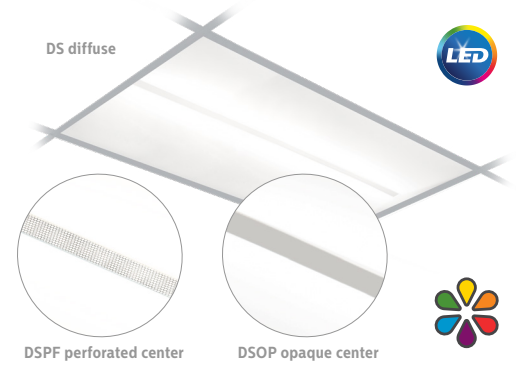


by @signify

Recessed

FormFlex 2x4

2FFX up to 7400 lumens



Day-Brite / CFI FormFlex recessed is a fully luminous aperture luminaire offering a diffuse, perforated, opaque, or linear prism center channel accent for unique aesthetic flexibility. FormFlex delivers high performing even illumination and high visual comfort. Its architectural style, coupled with controls options, makes FormFlex an ideal choice for applications such as office, institutional, and healthcare, where energy savings and customized effect are desired.

FormFlex now offers AccuRender technology for the highest color quality at the highest efficacy.

## Ordering guide - standard & wireless controls

Standard configurations available with all choices, unless otherwise noted. Base configurations selections indicated by blue.

example: 2FFX43L840-4-DS-UNV-DIM-SWZCS

| Width | Family | Ceiling Type | Lumens (nominal delivered) | Efficacy                           | Color  | Length | Center Diffuser   | Voltage   | Driver   | Options   |
|-------|--------|--------------|----------------------------|------------------------------------|--|--------|---|---|--|---|
| 2     | FFX    | G            |                            |                                    | -  | 4      |   |   |  |   |
| 2     | 2'     | FFX FormFlex | G Grid                     | Blank Standard H <sup>5</sup> High | 830 80 CRI, 3000K<br>835 80 CRI, 3500K<br>840 80 CRI, 4000K<br>850 80 CRI, 5000K<br>AccuRender <sup>8,9</sup><br>930 90 CRI, 3000K<br>935 90 CRI, 3500K<br>940 90 CRI, 4000K | 4 4'   | DS Diffuse (smooth)<br>DSPF Diffuse perforated<br>DSOP Diffuse opaque<br>DSLPL Diffuse linear prism | UNV Universal Voltage, 120-277 volt<br>347 347V | DIM <sup>1</sup> Dimming Step dimming to 40% input power<br>SDIM<br>LDE Lutron LDE5, 5% dimming<br>LDEH Lutron LDE1, 1% dimming<br>DALI DALI dimming | F1 3/8" flex, 3 wire 18 gauge 6'<br>F2 3/8" flex, 4 wire 18 gauge 6'<br>F1/D 3/8" twin flex, 3 wire 18 gauge 6' for dimmable luminaires<br>F2/SW 3/8" single flex, 5 wire 18 gauge 6' for dimmable luminaires<br>F2/6W 3/8" single flex, 6 wire 18 gauge 6' for dimmable and emergency luminaires<br>GLR Fusing, fast blow<br>BSL10LST <sup>4</sup> Bodine 10W selftesting battery pack<br>BSL6LST <sup>4</sup> Bodine 6W selftesting battery pack<br>DSC Quick driver disconnect<br>CHIC <sup>3</sup> Chicago Plenum rated<br>ER100 <sup>4,6,7</sup> UL924 listed sensor bypass relay, factory installed between driver & sensor<br>GTD/E <sup>4,6</sup> UL924 listed Bodine GTD factory installed on driver input<br>GTD/SNSR <sup>4,6,7</sup> UL924 listed Bodine GTD factory installed between driver and sensor<br>SWZCS <sup>2,10</sup> Interact Pro scalable sensor with integral daylight & occupancy sensing, advanced grouping with dwell time<br>SWZDT <sup>2</sup> SpaceWise only sensor, daylighting and occupancy, advanced grouping with dwell time<br>RADIO <sup>2</sup> Interact Pro RF sensor, enables wireless connected lighting control<br>IAOSB <sup>2,10</sup> Interact Office advanced wireless sensor bundle, integral SC1500 w/ IoT capabilities for enterprise scale projects<br>AG Antimicrobial Finish<br>WL Wet location listed |

## Ordering guide - PoE controls

example: 2FFXG48L840-4-D-LV-POE-IAO

| Width   | Family | Ceiling Type | Lumens (nominal delivered) | Efficacy       | Color  | Length | Center Diffuser   | Voltage | Driver                  | Options  |
|---------|--------|--------------|----------------------------|----------------|--|--------|---|---------|-------------------------|--|
| 2       | FFX    | G            |                            |                | -  | 4      |   |         |                         |  |
| 2       | 2'     | FFX FormFlex | G Grid                     | Blank Standard | 830 80 CRI, 3000K<br>835 80 CRI, 3500K<br>840 80 CRI, 4000K<br>850 80 CRI, 5000K | 4 4'   | DS Diffuse (smooth)<br>DSPF Diffuse perforated<br>DSOP Diffuse opaque<br>DSLPL Diffuse linear prism |         | POE Power over ethernet | EMPOE 600lm integral emergency driver and battery pack<br>IAO Integral Interact Office daylighting and occupancy sensor, enables wireless connected lighting control<br>IAOSB Interact Office advanced wired sensor bundle, integral SC2000 w/IoT capabilities for enterprise scale projects |
| Voltage |        | Driver       |                            | Options        |  |        |   |         |                         |  |
| LV -    |        | POE -        |                            |                |  |        |   |         |                         |  |

## Footnotes

- Integral controls options dimmable to 5% via wireless wall switch. Non-controls options are 0-10v dimmable to 1% for Standard configurations, and to 10% for Base configurations
- Specify only with -DIM driver option.
- CHIC option not provided with air return functionality.
- Not available with 347V.
- High efficacy option may only be ordered with Standard lumen configurations.
- Must be installed in conjunction with a UL1008 device.
- Must be ordered with an integral sensing option.
- AccuRender is 90CRI with R<sub>a</sub>>50.
- Option is qualified as Engineered-to-Order (ETO) ready. Lead times and minimum order quantities may vary, please consult factory.(DLC Standard efficacy only)
- Must order IRT9015 Interact commissioning remote with each system order.

## Accessories (order separately)

- FSF424 - 2'x4' surface mount field installation kit (field assembled)
- FMA24 - 2'x4' "F" mounting frame for NEMA "F" ceiling
- FFXDSPF24L - 2'x4' FormFlex replacement lens w/white perforated channel
- FFXDSOP24L - 2'x4' FormFlex replacement lens w/opaque channel
- FFXDLSL24L - 2'x4' FormFlex replacement lens w/linear prism channel

## SWZCS accessories (order separately)

- IRT9015 - handheld remote for grouping and configuration (at least one remote required for any SWZCS installation).



interact ready.

# 2FFX FormFlex recessed 2x4

up to 7400 lumens

## Application

- Ideal for modern offices, institutional, retail, and healthcare applications.
- Modern architectural styling to complement any space.
- Full width luminous lens provides smooth brightness and high visual comfort.
- Directs a controlled amount of light to higher angles to eliminate "cave effect" without creating glare.
- Available in standard efficacy and high efficacy (H) configurations up to 130lm/W.
- 80 CRI minimum source provides a balanced spectral power distribution.
- AccuRender 90 CRI source provides preferred color quality.
- Suitable for use with NEMA G (15/16") and NFG (9/16") suspended t-grid ceilings. NEMA F flange ceilings require the FMA24 accessory (ordered separately).
- Lens center channel provides aesthetic options that allow for unique visual elements in the space.
- Air return functionality is standard for all configurations. See air flow and noise data on page 4.
- Sheetmetal components are multi-stage phosphate treated for maximum corrosion resistance and finish coat is high reflectance baked white enamel.
- Integral louvers on housing ends allow air from the heated space to return to a pressurized plenum.

## Electrical

- Driver and LED board are accessible from below by easy removal of lens.
- Non-controls Base configurations 0-10V dimmable to 10%.
- Non-controls Standard configurations 0-10V dimmable to 1%.
- Standard configurations with controls options dimmable via wireless switches (see below).
- Predicted L70 lumen maintenance up to 85,000 hours at 25°C ambient for all configurations.
- Emergency battery packs accessible from above. To estimate lumen output in emergency mode, multiply emergency pack wattage by luminaire efficacy, then by 1.10.
- The GTD/E option is used to bypass wall switches and allow luminaire operation on auxiliary power. Generator transfer requires installation in conjunction with a UL1008 listed device.
- The GTD/SNSR option is used to bypass integrated sensor control in the event of utility power loss. Generator transfer requires installation in conjunction with a UL1008 listed device.
- Compliance to CAN ICES-005-A/ NEB-005-A and FCC Part 15-A.

## Construction/Finish

- Robust and durable dieformed embossed steel housing and end caps.
- Molded one-piece acrylic diffuser may be removed without tools for access to LED boards and driver(s).
- Unique spring retainers ensure the diffuser is centered in the housing opening at all times.
- T-bar grid clips are built into luminaire end caps for quick and easy installation, no extra parts.

## Energy data

| Configuration | Nominal CCT/ CRI | Flux (lm) | Input Power (W) | Efficacy (LPW) | DLC      |
|---------------|------------------|-----------|-----------------|----------------|----------|
| 2FFXG42B835   | 3500K/80         | 4100      | 34              | 121            | Standard |
| 2FFXG42B840   | 4000K/80         | 4227      | 34              | 123            | Standard |
| 2FFXG38L835   | 3500K/80         | 3774      | 29              | 130            | Premium  |
| 2FFXG38L840   | 4000K/80         | 3891      | 29              | 135            | Premium  |
| 2FFXG43L835   | 3500K/80         | 4288      | 33              | 130            | Premium  |
| 2FFXG43L840   | 4000K/80         | 4421      | 33              | 134            | Premium  |
| 2FFXG48L835   | 3500K/80         | 4758      | 37              | 129            | Premium  |
| 2FFXG48L840   | 4000K/80         | 4905      | 37              | 134            | Premium  |
| 2FFXG54L835   | 3500K/80         | 5327      | 42              | 127            | Premium  |
| 2FFXG54L840   | 4000K/80         | 5492      | 42              | 131            | Premium  |
| 2FFXG74L835   | 3500K/80         | 7285      | 58              | 126            | Premium  |
| 2FFXG74L840   | 4000K/80         | 7510      | 58              | 129            | Premium  |

## Validation

- cETLus listed for use in damp locations
- When ordered with -WL option code, suitable for use in wet locations with covered ceilings
- Rated for direct contact with insulation (IC)
- CCEA Chicago Plenum listed
- FormFlex luminaires are Designlights Consortium® qualified. Please see the DLC QPL list for exact catalog numbers, [www.designlights.org/QPL](http://www.designlights.org/QPL)

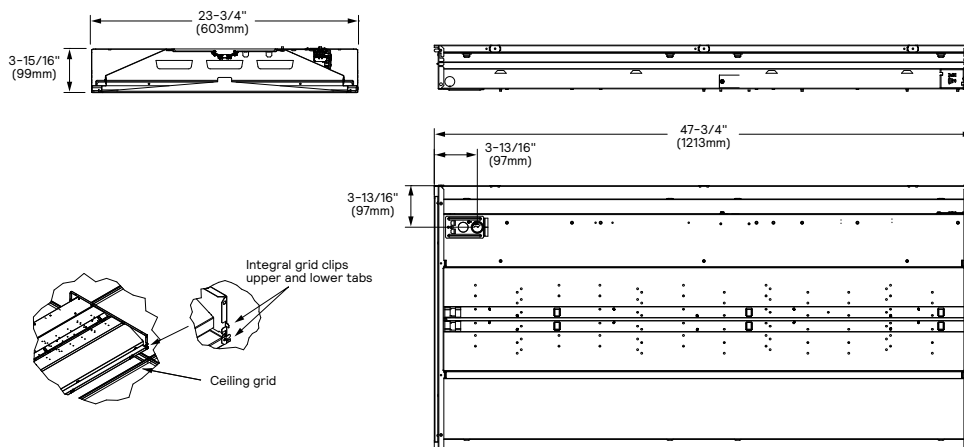
## Environment

- Rated for dry or damp locations in operating ambient temperatures 0-30°C (32-86°F). Many luminaire components, such as reflectors, refractors, lenses, sockets, lampholders, and LEDs are made from various types of plastics which can be adversely affected by airborne contaminants. If sulfur based chemicals, petroleum based products, cleaning solutions, or other contaminants are expected in the intended area of use, consult factory for compatibility. Not suitable for natatorium environments.

## Warranty

- 5 year manufacturer's limited warranty.
- Visit [signify.com/warranties](http://signify.com/warranties) for complete warranty information.

## Dimensions



# 2FFX FormFlex recessed 2x4

up to 7400 lumens

## Wireless Controls Options

### SpaceWise DT (SWZDT)

- Standalone daylight and occupancy sensing with advanced grouping, wireless mesh networking and dwell time.
- Commissioning via compatible Android phone and Philips Field App
- Dimming via compatible Zigbee wireless wall switch only (see link below for details)
- Register for the commissioning app at <http://registration.componentcloud.philips.com/appregistration/>
- Integral sensing options may not be combined
- For more information including recommended switches, refer to the following: -  
**SWZDT** - [www.usa.lighting.philips.com/systems/lighting-systems/spacewise](http://www.usa.lighting.philips.com/systems/lighting-systems/spacewise)

### Emergency Options (ER100)

- Power Sensing (Factory default) – Recommended UL924 option requires unswitched power sense line, absence of voltage on the normal circuit triggers luminaire to 100% output
- Power Interruption Detection (Field option) – Detects AC power interruption >30ms triggers 90 minute emergency mode with luminaire at 100% output

### Interact Pro scalable sensor for Foundation, Advanced & Enterprise tiers (SWZCS and an evolution of SpaceWise)

- SWZCS is a connected sensor with integral occupancy and daylight sensing and supports wireless mesh connectivity.
- The sensor works in the Foundation mode (similar to SpaceWise) when configured without a gateway or in an Interact Pro Advanced or Enterprise mode if a compatible gateway is used.
- Interact Pro includes an App, a portal and a broad portfolio of wireless luminaires, lamps and retrofit kits all working on the same system.
- Startup is implemented via Interact Pro App (Android or iPhone) & BlueTooth connectivity. The App provides flexibility to choose between a gateway or non gateway mode for setup.
- Setup with the gateway requires wired internet access to the gateway. It is possible to add a gateway at a later point.
- Prepare project configuration steps remotely and use IRT9015 remote onsite to identify and group devices together.
- Compatible with:
  - SWS200 wireless scene switch
  - Battery powered IP42 presence sensor OCC sensor IA CM WH 10/1
  - Battery powered IP42 presence & daylight sensor OCC-DL sensor IA CM IP42 WH
  - LCN3110: Battery powered IP65 presence sensor, OCC sensor IA CM IP65WH
  - LCN3120: Battery powered IP65 presence & daylight sensor, OCC-DL sensor IA CM IP65 WH
- For more information on Interact Pro visit: [www.interact-lighting.com/interactproscalablesystem](http://www.interact-lighting.com/interactproscalablesystem)

### Radio only sensor (RADIO)

- Integral RADIO only sensor simply enables wireless mesh connectivity to the luminaire without any occupancy or daylight sensing.
- Ideal for applications where sensing functionality is managed by other Interact devices and the luminaire only needs to have wireless connectivity.

### Interact Pro scalable sensor bundles for Enterprise tier

- IAOSB option in addition to occupancy and daylight sensing supports advanced IoT capabilities such as people estimation analysis, desk level temperature & humidity sensing, noise classification, and BLE beacon.
- Compatible with SWS200 wireless scene switch, wireless Occ sensor (OCC SENSOR IA CM IP42 WH 10/1) and wireless Day/Occ sensor (OCC MULTI SENSOR IA CM WH 10/1) and wireless Occupancy or Daylight & Occupancy sensors available.
- Use Interact software and insights to increase building efficiency, achieve building wide integration and optimize space through occupancy analytics.
- Requires compatible Gateway and internet connectivity for commissioning.
- For more information, visit: [www.interact-lighting.com/office](http://www.interact-lighting.com/office) or [www.usa.lighting.philips.com/systems/system-areas/offices](http://www.usa.lighting.philips.com/systems/system-areas/offices)

## Wired Controls Options

### Interact Office Wired (PoE)

- PoE based IoT connected lighting solution for large enterprises that span across multiple floors, buildings and require multiple gateways.
- Use Interact software and insights to increase building efficiency, achieve building wide integration and optimize space through occupancy analytics.
- IAOSB option in addition to occupancy and daylight sensing supports advanced IoT capabilities such as people estimation analysis, desk level temperature & humidity sensing, noise classification, and BLE beacon.
- PoE lighting controller is accessible from below.
- Integral sensor option for occupancy sensing (PIR) and/or daylight harvesting available for additional energy savings.
- Optional integral emergency controller and battery pack provides 600lm nominal output. Test switch and indicator light mounted on side of chassis on one end.
- Emergency battery has a 3 month pre-installed shelf life, and must be stored and installed in environments of 20C to 30C (-4F to 86F) ambient, and 45-85% relative humidity.
- For more information, visit: [www.interact-lighting.com/office](http://www.interact-lighting.com/office) or [www.usa.lighting.philips.com/systems/system-areas/offices](http://www.usa.lighting.philips.com/systems/system-areas/offices)

### Energy Data (PoE)

| Configuration | Nominal CCT/CRI | Flux (lm) | DC Power (W)* | Efficacy (LPW) |
|---------------|-----------------|-----------|---------------|----------------|
| 2FFXG38L840   | 4000K/80        | 3864      | 30            | 128            |
| 2FFXG43L840   | 4000K/80        | 4381      | 34            | 127            |
| 2FFXG48L840   | 4000K/80        | 4853      | 40            | 123            |

\*DC power supply

# 2FFX FormFlex recessed 2x4

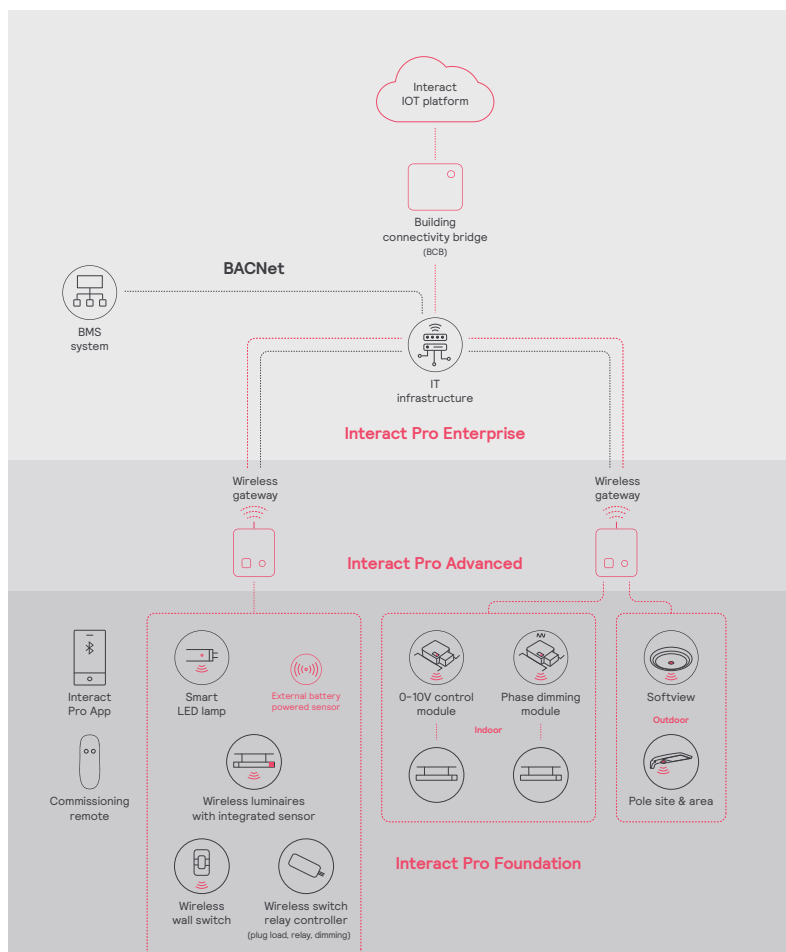
up to 7400 lumens

| Interact Pro scalable system                      |            |          |            |
|---|------------|----------|------------|
|   | Foundation | Advanced | Enterprise |
| Dimming, grouping, and zoning                     | ✓          | ✓        | ✓          |
| Bluetooth and ZigBee enabled                      | ✓          | ✓        | ✓          |
| Motion sensing and daylight harvesting            | ✓          | ✓        | ✓          |
| Integration with 0-10V and phase dimming fixtures | ✓          | ✓        | ✓          |
| Code compliance                                   | ✓          | ✓        | ✓          |
| Granular dimming and dwell time                   | ✓          | ✓        | ✓          |
| Energy reporting and monitoring                   |            | ✓        | ✓          |
| Scheduling  |            | ✓        | ✓          |
| Demand response                                   |            | ✓        | ✓          |
| BMS integration (BACnet)                          |            |          | ✓          |
| Floor plan visualization                          |            |          | ✓          |
| IoT sensors for wellness                          |            |          | ✓          |
| IoT Apps for productivity                         |            |          | ✓          |

## Currently supported maximum system size

To be able to design the lighting system correctly for the customer, it is important to know the prime characteristics of the system, its possibilities and limitations.

| System level                                       |                     |
|--|---------------------|
| Total number of gateways                           | Unlimited           |
| Total number of devices                            | 200 per network     |
| • luminaires with integrated sensors               | 150                 |
| • smart TLEDs                                      | 150                 |
| Total number of ZGP devices (sensors and switches) | 50                  |
| • sensors  | 30                  |
| • switches   | 50                  |
| • zones and groups                                 | 64                  |
| Group level  |                     |
| Recommended number of lights                       | 40 (recommended 25) |
| Number of ZGP devices                              | 5                   |
| Number of scenes                                   | 16                  |



# 2FFX FormFlex recessed 2x4

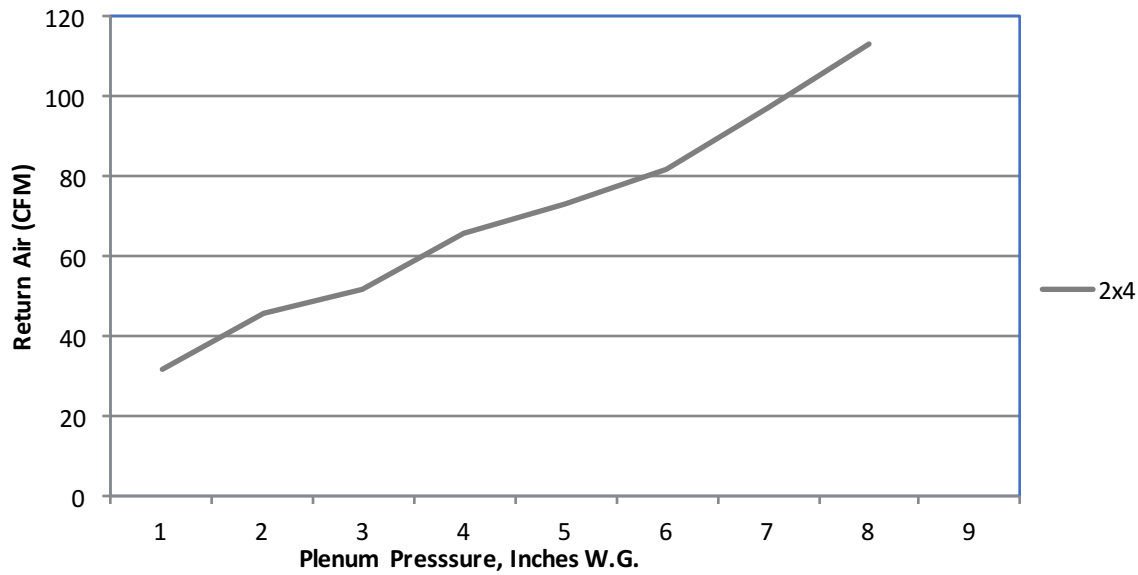
up to 7400 lumens

## Air return



Integral louvers on housing ends allow air from the heated space to return to a pressurized plenum.

Return Air Data



2x4 Return Air - noise criteria

|         | 1   | 2  | 3  | 4  | 5  | 6  | 7  | 8   |
|---------|-----|----|----|----|----|----|----|-----|
| CFM     | 27  | 37 | 53 | 62 | 71 | 80 | 90 | 102 |
| NC (dB) | <15 | 24 | 25 | 29 | 33 | 35 | 38 | 40  |

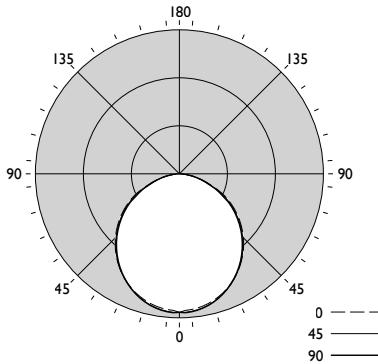
# 2FFX FormFlex recessed 2x4

up to 7400 lumens

## Photometry

### 2FFXG42B840-4-DS-UNV-DIM

|                                 |      |
|---------------------------------|------|
| Luminaire Lumens                | 4228 |
| Luminaire Efficacy Rating (LER) | 123  |
| Total Luminaire Watts           | 34.5 |
| Spacing Criterion (0-180)       | 1.24 |



|    | Candela Distribution |      |      |      |      | Flux   |
|----|----------------------|------|------|------|------|--------|
|    | 0                    | 22.5 | 45   | 67.5 | 90   | Lumens |
| 0  | 1539                 | 1539 | 1539 | 1539 | 1539 |        |
| 5  | 1514                 | 1524 | 1534 | 1540 | 1539 | 146    |
| 15 | 1457                 | 1465 | 1472 | 1476 | 1475 | 415    |
| 25 | 1349                 | 1354 | 1354 | 1354 | 1351 | 623    |
| 35 | 1197                 | 1198 | 1192 | 1187 | 1184 | 745    |
| 45 | 1006                 | 1004 | 995  | 986  | 982  | 767    |
| 55 | 784                  | 780  | 767  | 756  | 752  | 686    |
| 65 | 537                  | 532  | 520  | 493  | 491  | 505    |
| 75 | 261                  | 257  | 249  | 246  | 247  | 268    |
| 85 | 54                   | 56   | 62   | 61   | 67   | 73     |
| 90 | 4                    | 3    | 6    | 11   | 19   |        |

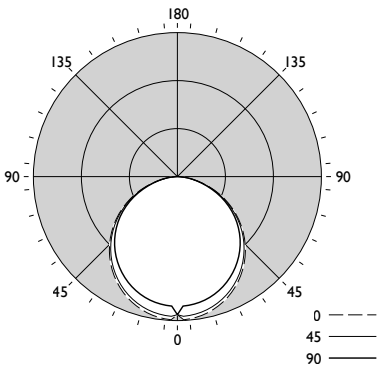
| Zonal Lumen Summary |        |          |        |
|---------------------|--------|----------|--------|
| Zone                | Lumens | %Fixture | %Lamp  |
| 0-30                | 1184   | 28.0%    | 28.0%  |
| 0-40                | 1929   | 45.6%    | 45.6%  |
| 0-60                | 3382   | 80.0%    | 80.0%  |
| 0-90                | 4227   | 100.0%   | 100.0% |
| 0-180               | 4228   | 100.0%   | 100.0% |

| Avg. Luminance (cd/m²) |      |      |      |
|------------------------|------|------|------|
|                        | 0    | 90   | 180  |
| 0                      | 2335 | 2335 | 2335 |
| 5                      | 2305 | 2336 | 2343 |
| 15                     | 2288 | 2312 | 2315 |
| 25                     | 2258 | 2266 | 2261 |
| 35                     | 2216 | 2208 | 2192 |
| 45                     | 2158 | 2133 | 2105 |
| 55                     | 2074 | 2028 | 1988 |
| 65                     | 1928 | 1865 | 1762 |
| 75                     | 1532 | 1457 | 1448 |
| 85                     | 941  | 1075 | 1173 |

| Coefficients of Utilization % |     |     |     |     |     |     |     |     |     |     |     |
|-------------------------------|-----|-----|-----|-----|-----|-----|-----|-----|-----|-----|-----|
| Pc---                         | 80  |     |     |     | 70  |     |     | 50  |     | 0   |     |
| Pw---                         | 70  | 50  | 30  | 10  | 70  | 50  | 30  | 50  | 30  | 10  | 0   |
| RCR                           |     |     |     |     |     |     |     |     |     |     |     |
| 0                             | 119 | 119 | 119 | 119 | 116 | 116 | 116 | 111 | 111 | 111 | 100 |
| 1                             | 109 | 104 | 100 | 96  | 106 | 102 | 98  | 98  | 95  | 92  | 84  |
| 2                             | 99  | 91  | 84  | 79  | 97  | 89  | 83  | 86  | 80  | 76  | 70  |
| 3                             | 90  | 80  | 72  | 65  | 88  | 78  | 71  | 75  | 69  | 64  | 59  |
| 4                             | 83  | 71  | 62  | 55  | 81  | 70  | 61  | 67  | 60  | 54  | 51  |
| 5                             | 76  | 63  | 54  | 48  | 74  | 62  | 54  | 60  | 53  | 47  | 44  |
| 6                             | 70  | 57  | 48  | 42  | 68  | 56  | 48  | 54  | 47  | 41  | 38  |
| 7                             | 65  | 52  | 43  | 37  | 63  | 51  | 43  | 49  | 42  | 36  | 34  |
| 8                             | 61  | 47  | 39  | 33  | 59  | 47  | 38  | 45  | 38  | 33  | 30  |
| 9                             | 57  | 43  | 35  | 30  | 55  | 43  | 35  | 42  | 34  | 29  | 27  |
| 10                            | 53  | 40  | 32  | 27  | 52  | 39  | 32  | 38  | 31  | 27  | 25  |

### 2FFXG43L840-4-DS-UNV-DIM

|                                 |      |
|---------------------------------|------|
| Luminaire Lumens                | 4422 |
| Luminaire Efficacy Rating (LER) | 134  |
| Total Luminaire Watts           | 32.9 |
| Spacing Criterion (0-180)       | 1.30 |



|    | Candela Distribution |      |      |      |      | Flux   |
|----|----------------------|------|------|------|------|--------|
|    | 0                    | 22.5 | 45   | 67.5 | 90   | Lumens |
| 0  | 1534                 | 1534 | 1534 | 1534 | 1534 |        |
| 5  | 1587                 | 1585 | 1549 | 1466 | 1436 | 145    |
| 15 | 1531                 | 1529 | 1497 | 1420 | 1389 | 417    |
| 25 | 1422                 | 1420 | 1392 | 1325 | 1295 | 633    |
| 35 | 1264                 | 1261 | 1239 | 1187 | 1159 | 766    |
| 45 | 1066                 | 1062 | 1045 | 1009 | 986  | 799    |
| 55 | 833                  | 829  | 815  | 792  | 777  | 723    |
| 65 | 573                  | 568  | 557  | 542  | 535  | 549    |
| 75 | 299                  | 296  | 288  | 283  | 280  | 307    |
| 85 | 63                   | 65   | 74   | 74   | 75   | 83     |
| 90 | 4                    | 5    | 5    | 5    | 6    |        |

| Zonal Lumen Summary |        |          |        |
|---------------------|--------|----------|--------|
| Zone                | Lumens | %Fixture | %Lamp  |
| 0-30                | 1195   | 27.0%    | 27.0%  |
| 0-40                | 1961   | 44.4%    | 44.4%  |
| 0-60                | 3483   | 78.8%    | 78.8%  |
| 0-90                | 4421   | 100.0%   | 100.0% |
| 0-180               | 4422   | 100.0%   | 100.0% |

| Avg. Luminance (cd/m²) |      |      |      |
|------------------------|------|------|------|
|                        | 0    | 90   | 180  |
| 0                      | 2327 | 2327 | 2327 |
| 5                      | 2415 | 2358 | 2185 |
| 15                     | 2403 | 2350 | 2181 |
| 25                     | 2379 | 2329 | 2167 |
| 35                     | 2340 | 2295 | 2145 |
| 45                     | 2285 | 2241 | 2114 |
| 55                     | 2203 | 2154 | 2054 |
| 65                     | 2057 | 1997 | 1918 |
| 75                     | 1749 | 1687 | 1639 |
| 85                     | 1104 | 1294 | 1301 |

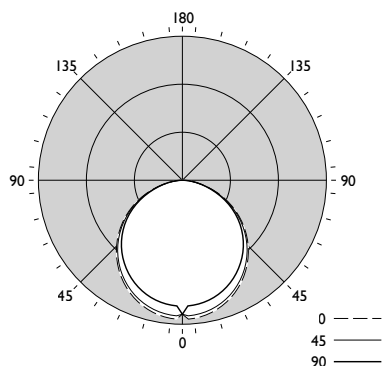
| Coefficients of Utilization % |     |     |     |     |     |     |     |     |     |     |     |
|-------------------------------|-----|-----|-----|-----|-----|-----|-----|-----|-----|-----|-----|
| Pc---                         | 80  |     |     |     | 70  |     |     | 50  |     | 0   |     |
| Pw---                         | 70  | 50  | 30  | 10  | 70  | 50  | 30  | 50  | 30  | 10  | 0   |
| RCR                           |     |     |     |     |     |     |     |     |     |     |     |
| 0                             | 119 | 119 | 119 | 119 | 116 | 116 | 116 | 111 | 111 | 111 | 100 |
| 1                             | 109 | 104 | 100 | 96  | 106 | 102 | 98  | 97  | 94  | 91  | 84  |
| 2                             | 99  | 90  | 84  | 78  | 96  | 89  | 82  | 85  | 80  | 75  | 69  |
| 3                             | 90  | 79  | 71  | 65  | 87  | 78  | 70  | 75  | 68  | 63  | 58  |
| 4                             | 82  | 70  | 61  | 55  | 80  | 69  | 61  | 66  | 59  | 53  | 50  |
| 5                             | 76  | 63  | 54  | 47  | 73  | 62  | 53  | 59  | 52  | 46  | 43  |
| 6                             | 70  | 56  | 47  | 41  | 68  | 55  | 47  | 54  | 46  | 40  | 37  |
| 7                             | 65  | 51  | 42  | 36  | 63  | 50  | 42  | 49  | 41  | 36  | 33  |
| 8                             | 60  | 47  | 38  | 32  | 59  | 46  | 38  | 45  | 37  | 32  | 29  |
| 9                             | 56  | 43  | 34  | 29  | 55  | 42  | 34  | 41  | 34  | 29  | 26  |
| 10                            | 53  | 39  | 31  | 26  | 51  | 39  | 31  | 38  | 31  | 26  | 24  |

# 2FFX FormFlex recessed 2x4

up to 7400 lumens

## 2FFXG74L840-4-DS-UNV-DIM

|                                 |      |
|---------------------------------|------|
| Luminaire Lumens                | 7512 |
| Luminaire Efficacy Rating (LER) | 130  |
| Total Luminaire Watts           | 58.3 |
| Spacing Criterion (0-180)       | 1.30 |



| Candela Distribution |      |      |      |      |      | Flux   |
|----------------------|------|------|------|------|------|--------|
|                      | 0    | 22.5 | 45   | 67.5 | 90   | Lumens |
| 0                    | 2606 | 2606 | 2606 | 2606 | 2606 |        |
| 5                    | 2695 | 2692 | 2631 | 2491 | 2439 | 247    |
| 15                   | 2600 | 2597 | 2543 | 2412 | 2360 | 708    |
| 25                   | 2414 | 2411 | 2365 | 2250 | 2200 | 1075   |
| 35                   | 2146 | 2143 | 2105 | 2016 | 1968 | 1301   |
| 45                   | 1810 | 1806 | 1775 | 1714 | 1675 | 1356   |
| 55                   | 1416 | 1408 | 1383 | 1345 | 1320 | 1229   |
| 65                   | 973  | 964  | 944  | 919  | 907  | 931    |
| 75                   | 507  | 504  | 490  | 480  | 476  | 522    |
| 85                   | 108  | 112  | 128  | 126  | 127  | 142    |
| 90                   | 7    | 9    | 9    | 10   | 10   |        |

| Zonal Lumen Summary |        |          |        |
|---------------------|--------|----------|--------|
| Zone                | Lumens | %Fixture | %Lamp  |
| 0-30                | 2030   | 27.0%    | 27.0%  |
| 0-40                | 3331   | 44.3%    | 44.3%  |
| 0-60                | 5916   | 78.8%    | 78.8%  |
| 0-90                | 7511   | 100.0%   | 100.0% |
| 0-180               | 7512   | 100.0%   | 100.0% |

| Avg. Luminance (cd/m²) |      |      |      |
|------------------------|------|------|------|
|                        | 0    | 90   | 180  |
| 0                      | 3952 | 3952 | 3952 |
| 5                      | 4103 | 4005 | 3712 |
| 15                     | 4082 | 3992 | 3705 |
| 25                     | 4040 | 3956 | 3681 |
| 35                     | 3973 | 3898 | 3643 |
| 45                     | 3882 | 3806 | 3592 |
| 55                     | 3743 | 3656 | 3491 |
| 65                     | 3492 | 3389 | 3256 |
| 75                     | 2971 | 2869 | 2788 |
| 85                     | 1883 | 2219 | 2207 |

| Coefficients of Utilization % |     |     |     |     |     |     |     |     |     |     |     |     |   |
|-------------------------------|-----|-----|-----|-----|-----|-----|-----|-----|-----|-----|-----|-----|---|
| Pc---                         | 80  |     |     |     | 70  |     |     |     | 50  |     |     |     | 0 |
| Pw---                         | 70  | 50  | 30  | 10  | 70  | 50  | 30  | 50  | 30  | 10  | 10  | 0   |   |
| RCR                           |     |     |     |     |     |     |     |     |     |     |     |     |   |
| 0                             | 119 | 119 | 119 | 119 | 116 | 116 | 116 | 111 | 111 | 111 | 111 | 100 |   |
| 1                             | 109 | 104 | 100 | 96  | 106 | 102 | 98  | 97  | 94  | 91  | 84  | 84  |   |
| 2                             | 99  | 90  | 84  | 78  | 96  | 89  | 82  | 85  | 80  | 75  | 69  | 69  |   |
| 3                             | 90  | 79  | 71  | 64  | 87  | 78  | 70  | 75  | 68  | 63  | 58  | 58  |   |
| 4                             | 82  | 70  | 61  | 55  | 80  | 69  | 61  | 66  | 59  | 53  | 50  | 50  |   |
| 5                             | 76  | 63  | 54  | 47  | 73  | 62  | 53  | 59  | 52  | 46  | 43  | 43  |   |
| 6                             | 70  | 56  | 47  | 41  | 68  | 55  | 47  | 54  | 46  | 40  | 37  | 37  |   |
| 7                             | 65  | 51  | 42  | 36  | 63  | 50  | 42  | 49  | 41  | 36  | 33  | 33  |   |
| 8                             | 60  | 47  | 38  | 32  | 59  | 46  | 38  | 45  | 37  | 32  | 29  | 29  |   |
| 9                             | 56  | 43  | 34  | 29  | 55  | 42  | 34  | 41  | 34  | 29  | 26  | 26  |   |
| 10                            | 53  | 39  | 31  | 26  | 51  | 39  | 31  | 38  | 31  | 26  | 24  | 24  |   |



© 2022 Signify Holding. All rights reserved. The information provided herein is subject to change, without notice. Signify does not give any representation or warranty as to the accuracy or completeness of the information included herein and shall not be liable for any action in reliance thereon. The information presented in this document is not intended as any commercial offer and does not form part of any quotation or contract, unless otherwise agreed by Signify.

Signify North America Corporation  
400 Crossing Blvd, Suite 600  
Bridgewater, NJ 08807  
Telephone 855-486-2216

Signify Canada Ltd.  
281 Hillmount Road,  
Markham, ON, Canada L6C 2S3  
Telephone 800-668-9008

All trademarks are owned by Signify Holding or their respective owners.