

 **LEDALITE**

by  **Signify**

**Suspended**

**Chopstick LED**



**Low profile,  
high performance**



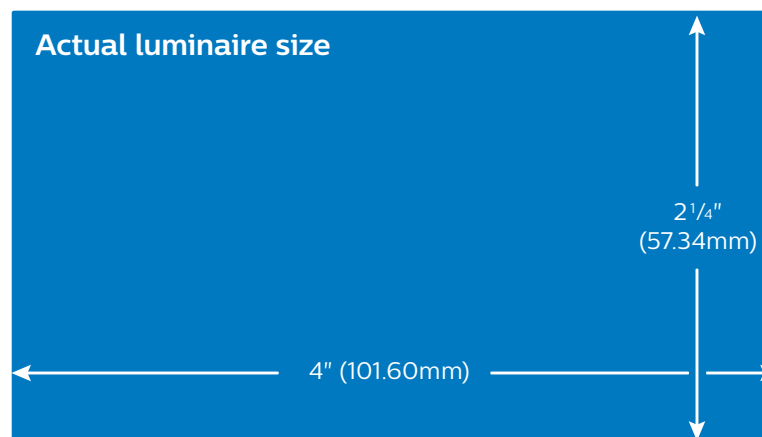




# Minimalism, a delicate balance of light, form and materials

Minimalism is a movement in architectural design that strives to strip down spaces to their very basic and essential aspects; such as light, form, materials, area and human interaction. All of this is to achieve simplicity and an overall sense of harmony within the space. Ledalite has designed the Chopstick LED with inconspicuous scale and clean lines for those types of architectural spaces.

Chopstick LED delivers up to 108 lumens per watt and has a wide lateral distribution in the upper hemisphere enabling wider row spacing, reducing the number of fixtures required, which means a significant reduction in lighting related energy consumption and an uncluttered space.



Ledalite Chopstick LED, offering a delicate aesthetic to bring balance to a space.



# In the Classroom

A light source for academic success.

Ledalite Chopstick LED Semi-Indirect luminaire provides excellent general illumination to the room.

Optional sensor integration can provide up to 30-35% energy savings through daylight harvesting in rooms like the one shown here.

	LED 4800 lm*
Light Level	40 fc
Energy Density	0.62 W/ft. <sup>2</sup>
Ceiling Uniformity	<b>7.4:1 (max:min)</b>
Luminaire Efficacy	<b>102 lm/W</b>

Room size: 30' L x 30' W x 9' H with reflectances of 80/50/20

Row Spacing: 15ft. on centre | Suspension: 7.5ft AFF

\* Nominal Value/4ft luminaire







Chopstick LED

.....  
Semi-Indirect luminaire

.....  
In the Classroom







Chopstick LED  
.....  
Semi-Indirect luminaire  
.....  
**In the Boardroom**  
.....

# In the Boardroom

## Providing lighting as an element of design.

Ledalite Chopstick LED Semi-Indirect Luminaire provides the perfect balance between scale, performance and energy efficiency.

Use Chopstick to make a statement or reinforce a corporate identity through custom paint colors. Or go minimalist with black, white or titanium for a polished elegant look.

	LED 4800 lm'
Light Level	43 fc
Energy Density	<b>0.42 W/ft.<sup>2</sup></b>
Luminaire Efficacy	102 lm/W

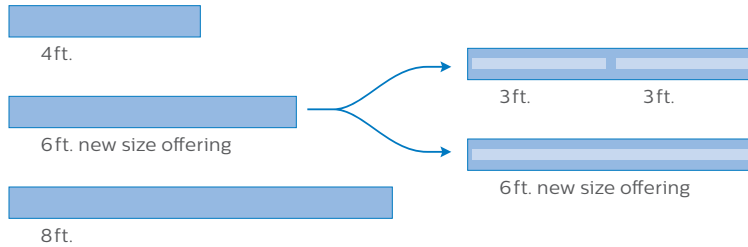
Room size: 14' L x 24' W x 8.5' H with reflectances of 80/50/20  
Row Spacing: 1 row 12ft. | Suspension: 7ft AFF  
\* Nominal Value/4ft luminaire



# In the Office

The Chopstick LED Semi-Indirect Luminaire is offered in traditional 4ft., 8ft. and new 6ft. module lengths. The 6ft. modules provide dramatic energy savings over traditional 8ft. length while still maintaining optimum light levels for productivity and comfort.

Chopstick LED is also available with an optional 6ft. window or with two rhythmic 3ft. windows in 6ft. modules.



	LED 4800 lm'
Light Level	30 fc
Energy Density	<b>0.36 W/ft.<sup>2</sup></b>
Ceiling Uniformity	<b>14.5:1 (max:min)</b>
Luminaire Efficacy	102 lm/W

Room size: 48' L x 24' W x 9' H with reflectances of 80/50/20

Row Spacing: 16ft. on centre | Suspension: 7.5ft AFF .

\* Nominal Value/4ft luminaire





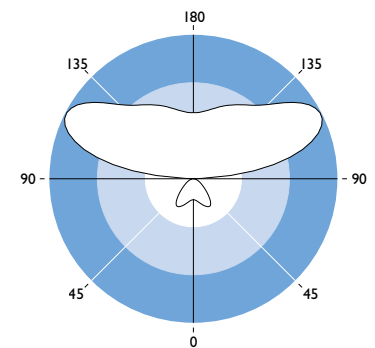
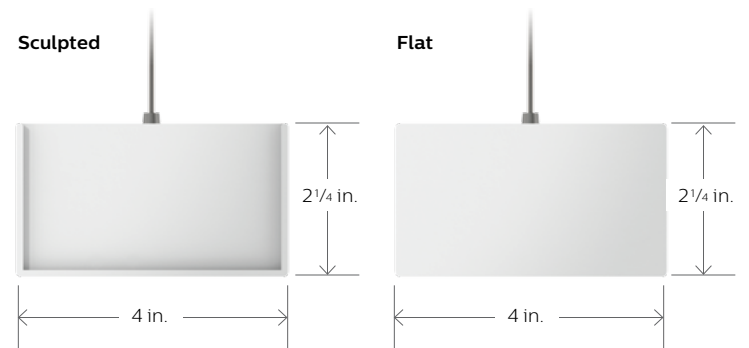
Chopstick LED  
.....  
Semi-Indirect luminaire  
.....  
**In the Office**  
.....





# Suspended Mount

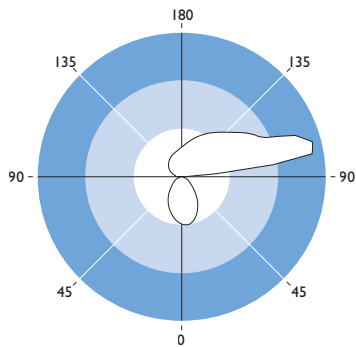
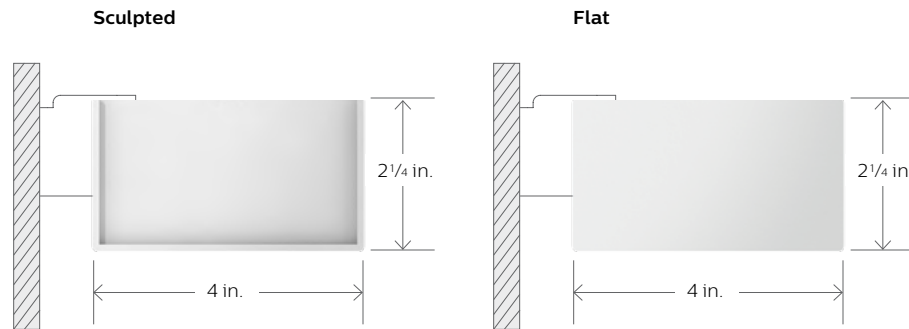
The suspended version of Chopstick LED offers a semi-indirect lighting distribution ideal for open environments and smaller private spaces. Chopstick Suspended is available in 4', 8' and the latest 6' modules that can be joined together to create longer runs.





# Wall Mount

The wall mounted version of Chopstick LED offers true asymmetric distribution with increased amounts of downlight - a perfect choice for corridors and private offices. The wall mount is also available in 4', 8' and the latest 6' modules that can be joined together to create longer runs.

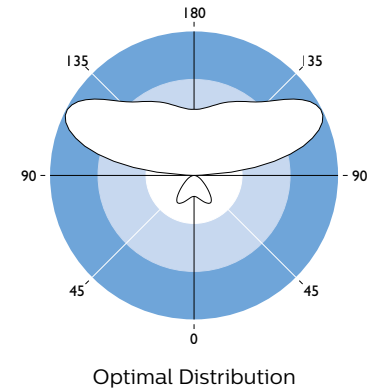


Chopstick LED  
.....  
Semi-Indirect luminaire  
.....  
Mounting options  
.....

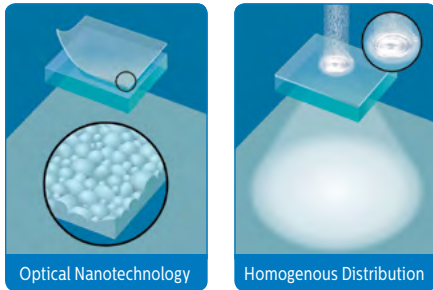


# mesoOptics

Ledalite's revolutionary MesoOptics can be created using holographic or digital laser writing techniques. Using advanced manufacturing processes, patented nano and micro scale structures are applied to recyclable substrates creating highly efficient distributions and a unique lighting control approach.

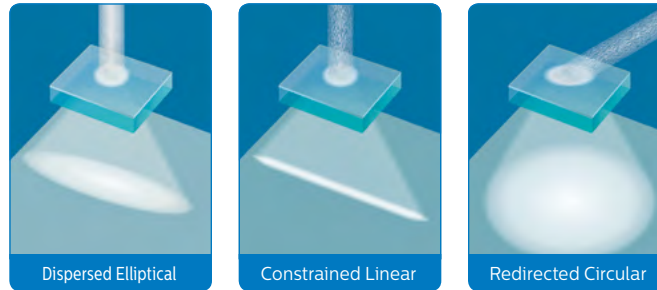


## Purify



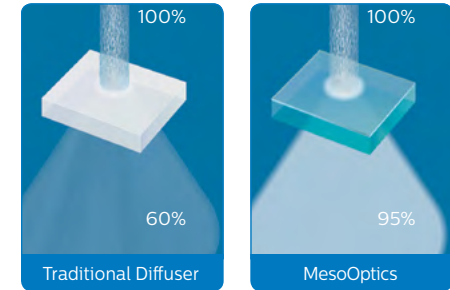
MesoOptics homogenizes color, and removes striations and hot spots from lighting sources, creating smooth gradients of pure, white light free from color shifts.

## Control



MesoOptics disperses light uniformly and creates precisely controlled beam patterns to redirect light into optimum angles.

## Sustain



MesoOptics' highly efficient material allows up to 95% of the light to pass through, creating highly energy efficient lighting products.

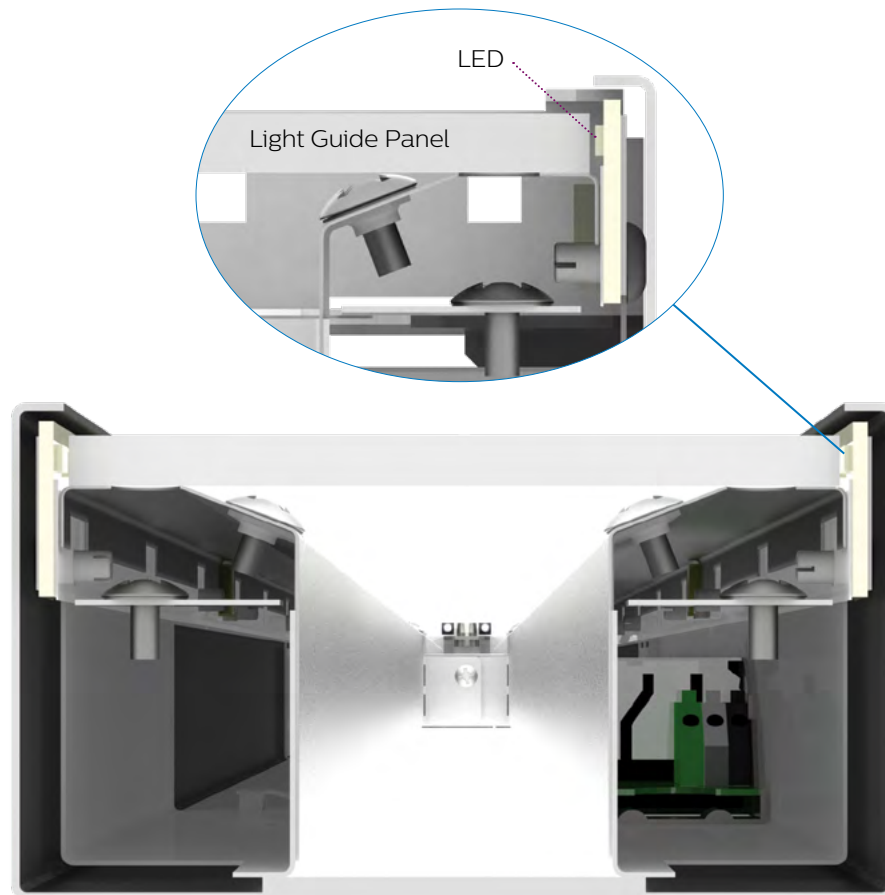


# Advanced Engineering

**Chopstick's lean construction is comprised of arrays of LEDs edge-lighting a low profile Light Guide panel.**

The Light Guide panel allows light to be coupled and transmitted through total internal reflection. The etched surface of the panel optimizes the light extraction and directs it into a wide indirect distribution. This makes Chopstick a great choice for close-to-ceiling applications.

Light is purified and controlled by MesoOptics film then passes through the non-glare acrylic lens. MesoOptics removes striations, homogenizes color and controls high angle glare. As light emerges from the lens, an ideal batwing distribution is created in the lower hemisphere.





Chopstick LED

Semi-Indirect luminaire

Specifications

## Ordering Guide

Type	Light Source			Housing		Electrical			Finish
Family	Source	Color Temp	Lumen Package	Optics	Run Length	Wiring	Voltage	Ballast / Driver	Module Finish
<b>Suspended mount</b>	L LED	<b>A</b> 4000K <b>B</b> 3500K <b>C</b> 3000K	Suspended mount	<b>QN</b> 3 or 4ft. Window with MesoOptics <b>SN</b> <sup>2</sup> 6ft. Window with MesoOptics	<b>O4</b> 4ft. <b>O6</b> 6ft. <b>O8</b> 8ft. <b>XX</b> Total run length in 2ft. increments	<b>7</b> 1 cct w/ dimming <b>M</b> 1 cct w/ dim + emergency <b>N</b> 1 cct w/ dim + battery	<b>1</b> 120V <b>2</b> 277V	<b>E</b> Standard	<b>W</b> White <b>T</b> Titanium <b>B</b> Black <b>X</b> Custom
<b>7505</b> Chopstick LED Suspended Semi-indirect			<b>C</b> 4800lm / 4ft. <sup>1</sup> <b>E</b> 3400lm / 4ft. <sup>1</sup>						
<b>Wall mount</b>			Wall mount						
<b>7508</b> Chopstick LED Wall Mount Direct/Indirect			<b>E</b> 2800lm / 4ft. <sup>1</sup> <b>G</b> 1900lm / 4ft. <sup>1</sup>						

1. Nominal output within a range. Consult spec sheets for exact lumen output for each configuration.

2. Only available in 6ft module.

Some options may not be available for each configuration. Consult for full list of available options.





