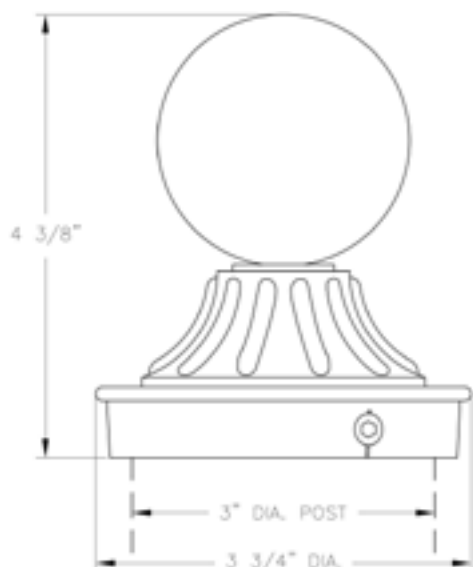


Project: _____
 Location: _____
 Cat.No: _____
 Type: _____
 Lamps: _____ Qty: _____
 Notes: _____



Ordering Guide

Example: PC16-3 ABS

| Product Code | PC16-3 | Post Cap |
|---------------|--------|------------------|
| Finish | ABS | Antique Brass |
| | ACP | Antique Copper |
| | ARD | Antique Red |
| | ASI | Antique Silver |
| | BLK | Black |
| | BRN | Brown |
| | BRZ | Bronze |
| | FGN | Forest Green |
| | GRA | Granite |
| | IRN | Ironstone |
| | RBZ | Rustic Bronze |
| | SRT | Shadow Rust |
| | VBZ | Verde Bronze |
| | VCP | Verde Copper |
| | VGN | Verde |
| | VTC | Vintage Copper |
| | WBZ | Weathered Bronze |
| | WHT | White |

Specifications

CONSTRUCTION:

Turned aluminum 2 1/2" dia. finial and post cap. Post slips up into post cap at a 9/16" depth.

FINISH:

Resilient TGIC thermoset polyester powdercoat paint is electrostatically applied to every fixture. Specially formulated for Philips Outdoor Lighting, it provides UV protection, and the highest temperature rating in the industry. In addition to the standard color choices shown, a spectrum of custom colors is available.

MOUNTING:

Mount atop 3" dia. post.

Height:

4 3/8"

Width:

3 3/4"

