



LyteProfile adjustable accents provide a balance of function with quality lighting to accentuate ambiance in the space. A robust and easy to install frame and versatile light engine makes this an ideal product for use in a wide variety of applications.

Project: _____
 Location: _____
 Cat.No: _____
 Type: _____
 Qty: _____
 Notes: _____

Complete unit = Fixture + Light Engine/Trim + Optional Accessories

Frame

example: 3RAS

Series	Installation	Voltage/Options	
3R			
3R Uniframe 3" round frame	N New Construction Non-IC	— Universal 120/277/347V LC Chicago plenum	EM6 Emergency, 6W Self-Test/Self-Diagnostic ¹ RADIO Integral Interact Pro RF sensor (requires above ceiling access - enables wireless connected lighting control)
	A AirSeal IC (1000lm max)	— Standard Universal 120/277/347V S Shallow Universal 120/277/347V ²	

Light Engine / Trim

example: P3RA05940NSCLPZ10U

Series	Style	Lumens	CRI/CCT	Beam
P3R	A			
P3R LyteProfile 3" round light engine/trim	A Adjustable accent	05 500lm	927 90CRI / 2700K	NS Narrow Spot (13°) SP Spot (17°) NF Narrow Flood (21°) FL Flood (29°)
		07 750lm	930 90CRI / 3000K	
		10 1000lm	935 90CRI / 3500K	
		15 1500lm ³	940 90CRI / 4000K	
		10 1000lm	9D2W 90CRI / 3000K - 1800K (for Non-IC (N) frames only)	

Light Engine / Trim (continued)

Reflector	Flange	Dimming	Voltage	Plenum
CL Specular clear CC Comfort clear CD Comfort clear diffuse BK Black (matte)	— White (matte) P Matching reflector	Z10 0-10V 1% dimming L Lutron PEQ0 dimming (dim to 0.1%) ⁴ (not compatible with Shallow (S) plenums)	U 120V/277V 3 347V (0-10v only) U 120V/277V (order T347-75VA accessory for 347V)	— Standard depth S Shallow for shallow IC frame ²
WH White (matte)	— White (matte)	E Electronic low voltage dimming (not compatible with 347V (3) frame)	1 120V	

Accessories (order & install separately)

- SBA** Interact Ready System Bridge Accessory with integral occupancy and daylight sensor (compatible with all 0-10V options, see SBA spec sheet)⁵
- CAEM6** Field installable Bodine BSL6 6W battery pack with self-test/self-diagnostic for use with new construction frames, 120-277V

- CA3NSSFR** Narrow Spot upper reflector (additional field-installable optics)
- CA3SSFR** Spot upper reflector (additional field-installable optics)
- CA3NFSFR** Narrow Flood upper reflector (additional field-installable optics)
- CA3FLSFR** Flood upper reflector (additional field-installable optics)
- CAEM6** Field installable Bodine BSL6 6W battery pack with self-test/self-diagnostic for use with new construction frames (120-277V)
- CAEM6TSCP** Must be ordered with EM6 frame for remote test switch (see page 2 for details)
- T347-75VA** 347:120V step-down transformer for non-IC (N) frame only (see page 3 for details)

- Emergency (EM6) frame requires remote mounted test switch. Order CAEM6TSCP mounting plate accessory (not compatible with 347V).
- Must order shallow IC frame (S), shallow engine / shallow trim (S) for complete shallow assembly. Shallow configurations available in 750lm (07) and 1000lm (10) only with ELV or 0-10V.
- The 1500lm (15) option is not available with standard AirSeal IC frame (3RA-).
- Lutron PEQ0 (L) dimming available only with 500lm (05) and 1000lm (10) lumen options.
- Requires IRT9015 IR remote & Interact Pro App for commissioning.



P3RA LyteProfile 3"

Round adjustable accent

Frame-in-kits

New construction:

Galvanized stamped steel for dry or plaster ceilings. Preinstalled telescoping mounting bars from 13" to 24". For 4' distances, use 1/2" EMT, 1-1/2" x 1/2" U or C channel.

Max ceiling thickness is 2" (51 mm) including PoE frame 4.88" (124 mm) plenum depth for installation.

Patented install mounting frame:

- Pre-installed mounting bars for fast and tool-less installs into T-grid & hat channel ceilings.
- Close-cut aperture design eliminates possibility of gap between ceiling opening and reflector flange.
- Separate wiring compartment for wiring frame to building allows inspection prior to light engine install.
- Simple plug-and-play connection between frame and light engine from below ceiling.

Dimming

All configurations are FCC Class A unless otherwise specified.

- Advance 0-10V 1% (Z10)
- Lutron PEQO Hi-lume Premier 0.1% EcoSystem
- Electronic low voltage (ELV) - Remodel and AirSeal IC Shallow are FCC Class B
- Dim to Warm (D2W) - option changes CCT from 3000K to 1800K gradually as it dims, specify with any dimming option

Optical systems

Quality of light: 2 SDCM ensures color consistency from fixture to fixture and over the luminaire's long lifetime.

Construction: Precision formed high grade aluminum reflectors with options for anodized or painted finishes.

Adjustability

- 40° vertical tilt, mechanical aiming
- 360° rotation

Light Engine

Quick connect power pack allow for easy installation and replacement from below ceiling with no need for additional wiring. This allows for:

- Frame and ceiling installation to be performed while still finalizing details such as lumen packages, CCT and control type.
- Easy replacement of electronics at end of life with minimal wasted material and labor required.
- Ease and upgradability of technology.
- Predicted 70% lumen maintenance to 57,000 hrs.
- Max operating ambient temperature of 30°C.
- 347V light engines are Z10 dimming only and include dedicated 347V driver. For 347V non-Z10 dimming, order T347-75VA field-installed step-down transformer accessory.

Emergency

Bodine BSL6 6W battery pack with self-test/diagnostic functionality. Factory or field mounted to frame.

- For remote ceiling mounted test switch, order standard light engine (ex: P3RDL10935CDZ10U). Optional accessory ceiling mounting plate available (CAEM6TSCP) for remote mounted test switch.
- Refer to Calculite-LyteProfile-EasyLyte Emergency Battery Pack specification sheet for more details.

Options and Accessories

Field Installed Emergency: Refer to Calculite-LyteProfile-EasyLyte Emergency Battery Pack specification sheet for more details.

CAEM6: Field install EM6 kit with Bodine BSL6 6W battery pack with self-test/self-diagnostic, mounts to new construction frames. Includes remote ceiling plate for test switch.

CAEM6TSCP: Ceiling cover plate for remote mounted EM6 test switch. 1/2" (25mm) hole, 4 3/4" (109mm) x 2 3/4" (69mm) rectangular. Includes two mounting screws.

T347-75VA Field installable: 347:120V 75VA step-down transformer, attaches to knock out on frame junction box, for use with non-IC (N) frame only.

ENERGY STAR® exceptions

- BK finishes
- 347V & Emergency voltage/options
- 1000lm configurations
- Lutron configurations
- Dim to Warm configurations: DL downlight only

Title 24 exceptions

- BK finishes
- Must be installed in shallow AirSeal IC Frame
- Downlight (DL): 500lm and 1000lm only
- Lensed wall wash (LW): 500lm only

Labels and listings

- cULus listed for wet locations
- ENERGY STAR® certified
- CEC Title 24 JA8 certified
- CCEA (frames with *LC suffix)

Warranty



5 year limited warranty
Visit Signify.com/warranties for more information on Signify's standard 5-year limited warranty on complete luminaire systems.

0-10V electrical tables

Light engine	Input volts	Input current	Drive current	Input power
P3_A05_Z10U/3	120 V	0.08 A	200 mA	9.5 W
	277 V	0.03 A		
P3_A10_Z10U/3	120 V	0.13 A	360 mA	15.6 W
	277 V	0.06 A		
P3_A109D2W_Z10U/3	120 V	0.12 A	330 mA	13.6 W
	277 V	0.05 A		
P3_A15_Z10U/3	120 V	0.17 A	500 mA	20.4 W
	277 V	0.07 A		
P3_A05_Z10U/3S	120 V	0.08 A	220 mA	9.4 W
	277 V	0.03 A		
P3_A10_Z10U/3S	120 V	0.12 A	330 mA	14.1 W
	277 V	0.05 A		

ELV electrical tables

Light engine	Input volts	Input current	Drive current	Input power
P3_A05_E1	120 V	0.08 A	220 mA	8.7 W
	277 V	0.03 A		
P3_A10_E1	120 V	0.11 A	350 mA	12.7 W
	277 V	0.05 A		
P3_A109D2W_E1	120 V	0.11 A	330 mA	13.1 W
	277 V	0.05 A		
P3_A15_E1	120 V	0.17 A	500 mA	19.7 W
	277 V	0.07 A		
P3_A05_E1S	120 V	0.08 A	220 mA	8.7 W
	277 V	0.03 A		
P3_A10_E1R	120 V	0.11 A	330 mA	13.1 W
	277 V	0.05 A		

Lutron electrical tables

Light engine	Input volts	Input current	Drive current	Input power
P3_A05_LU	120 V	0.07 A	200 mA	8.4 W
	277 V	0.03 A		
P3_A10_LU	120 V	0.13 A	360 mA	15.4 W
	277 V	0.06 A		
P3_A109D2W_LU	120 V	0.12 A	330 mA	13.0 W
	277 V	0.05 A		
P3_A15_LU	120 V	0.17 A	500 mA	19.8 W
	277 V	0.07 A		

P3RA LyteProfile 3"

Round adjustable accent

interact

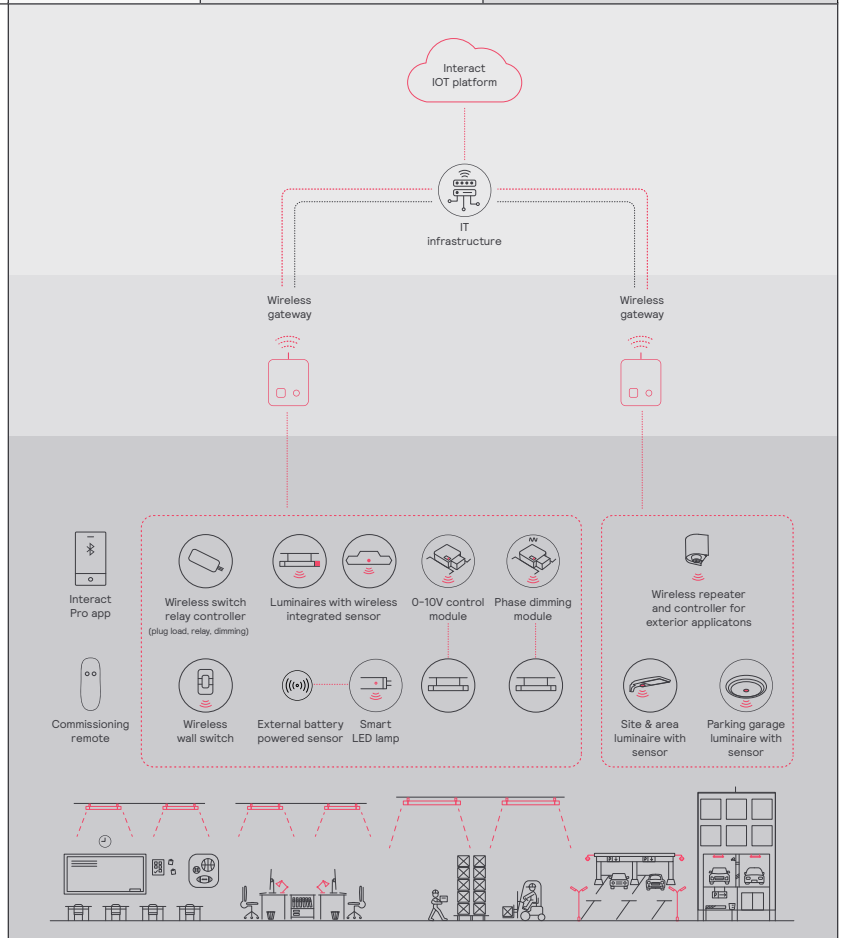
	Gateway Connected		
	Standalone	Option 1	Option 2
Dimming, grouping, and zoning	✓	✓	✓
Bluetooth and ZigBee enabled	✓	✓	✓
Motion sensing and daylight harvesting	✓	✓	✓
Integration with 0-10V and phase dimming fixtures	✓	✓	✓
Code compliance	✓	✓	✓
Granular dimming and dwell time	✓	✓	✓
Correlated color temperature (CCT) tuning by switch	New	✓	✓
Support for sensor-based Tunable White luminaires	New	✓	✓
Energy reporting and monitoring		✓	✓
Scheduling		✓	✓
Demand response		✓	✓
BMS integration (BACnet)			✓
Floor plan visualization			✓
IoT sensors for wellness			✓
IoT Apps for productivity			✓

Currently supported maximum system size

To be able to design the lighting system correctly for the customer, it is important to know the prime characteristics of the system, its possibilities and limitations.

System level	
Total number of gateways	Unlimited
Total number of devices	200 per network
• Luminaires with integrated sensors	150
• Smart TLEDS	150
• Zones + groups	64
Total number of ZGP devices (sensors and switches)	50
• Sensors	30
• Switches	50

Group level	
Recommended number of lights	40 (maximum 150)
Number of ZGP devices	5
Number of scenes	16



P3RA LyteProfile 3"

Round adjustable accent

Wireless controls options

Interact

- SWZCS is a connected sensor with integral occupancy and daylight sensing and supports wireless mesh connectivity.
- The sensor works in the standalone mode (similar to SpaceWise) when configured without a gateway or in a cloud connected mode if a compatible gateway is used.
- Interact includes an App, a portal and a broad portfolio of wireless luminaires, lamps and retrofit kits all working on the same system.
- Startup is implemented via Interact Pro App (Android or iPhone) & Bluetooth connectivity. The App provides flexibility to choose between a gateway or non gateway mode for setup.
- Setup with the gateway requires wired internet access to the gateway. It is possible to add a gateway at a later point.
- Prepare project configuration steps remotely and use IRT9015 remote on-site to identify and group devices together.

Compatible with:

- SWS200 & UID8465 wireless scene switch
- Battery powered IP42 presence sensor OCC sensor IA CM WH 10/1
- Battery powered IP42 presence & daylight sensor OCC-DL sensor IA CM IP42 WH
- LCN3110: battery powered IP65 presence sensor, OCC sensor IA CM IP65WH
- LCN3120: battery powered IP65 presence & daylight sensor, OCC-DL sensor IA CM IP65 WH
- For more information on Interact visit: interact-lighting.com/interactproscalablesystem

Radio only sensor (RA or RADIO)

- Integral RA or RADIO only sensor simply enables wireless mesh connectivity to the luminaire without any occupancy or daylight sensing.
- Ideal for applications where sensing functionality is managed by other Interact devices and the luminaire only needs to have wireless connectivity.
- Interact includes an App, a portal and a broad portfolio of wireless luminaires, lamps and retrofit kits all working on the same system.
- Startup is implemented via Interact Pro App (Android or iPhone) & Bluetooth connectivity. The App provides flexibility to choose between a gateway or non-gateway mode for setup.
- Setup with the gateway requires wired internet access to the gateway. It is possible to add a gateway at a later point.
- Prepare project configuration steps remotely, identify and group devices together onsite.
- Compatible with SWS200 and UID8465 wireless scene switch, wireless Occ sensor (OCC SENSOR IA CM IP42 WH 10/1) and wireless Day/Occ sensor (OCC MULTI SENSOR IA CM WH 10/1).
- For more information on Interact visit: interact-lighting.com/interactproscalablesystem

Sensor bundle (IAOSB or SB)

- A wireless IoT connected lighting solution for large enterprises that span across multiple floors, buildings and require multiple gateways.
- View all your projects under one dashboard and easily compare insights from multiple projects in one view.
- Compatible with SWS200 wireless scene switch, wireless Occ sensor (OCC SENSOR IA CM IP42 WH 10/1) and wireless Day/Occ sensor (OCC MULTI SENSOR IA CM WH 10/1) and wireless Occupancy or Daylight & Occupancy sensors available. Use Interact software and insights to increase building efficiency, achieve building wide integration and optimize space through occupancy analytics.
- IAOSB or SB option in addition to occupancy and daylights sensing supports advanced IoT capabilities, such as people estimation analysis, desk level temperature & humidity sensing, noise classification, and BLE beacon.
- Requires compatible Gateway and internet connectivity for commissioning.
- For more information, visit: interact-lighting.com/interactproscalablesystem

Emergency Options (ER100)

- **Power Sensing** (factory default) – Recommended UL924 option requires unswitched power sense line, absence of voltage on the normal circuit triggers luminaire to 100% output.
- **Power Interruption Detection** (field option) – Detects AC power interruption >30ms triggers 90 minute emergency mode with luminaire at 100% output.

Wired controls options

Interact (PoE):

- PoE based IoT connected lighting solution for large enterprises that span across multiple floors, buildings and require multiple gateways.
- Use Interact software and insights to increase building efficiency, achieve building wide integration and optimize space through occupancy analytics.
- Test switch and indicator light mounted on side of chassis on one end.
- Supports advanced IoT Apps on Personal Control, Space Management, wayfinding, room/desk reservation and offers open APIs for light control and data exchange.
- Integral sensor option for occupancy sensing (PIR) and/or daylight harvesting available for additional energy savings.
- Optional integral emergency controller and battery pack provides 600lm nominal output.
- PoE lighting controller is accessible from below.
- Emergency battery has a 3 month pre-installed shelf life, and must be stored and installed in environments of 20C to 30C (-4F to 86F) ambient, and 45-85% relative humidity.
- For more information on Interact Office Wired, visit: interact-lighting.com/office or www.usa.lighting.philips.com/systems/system-areas/offices.

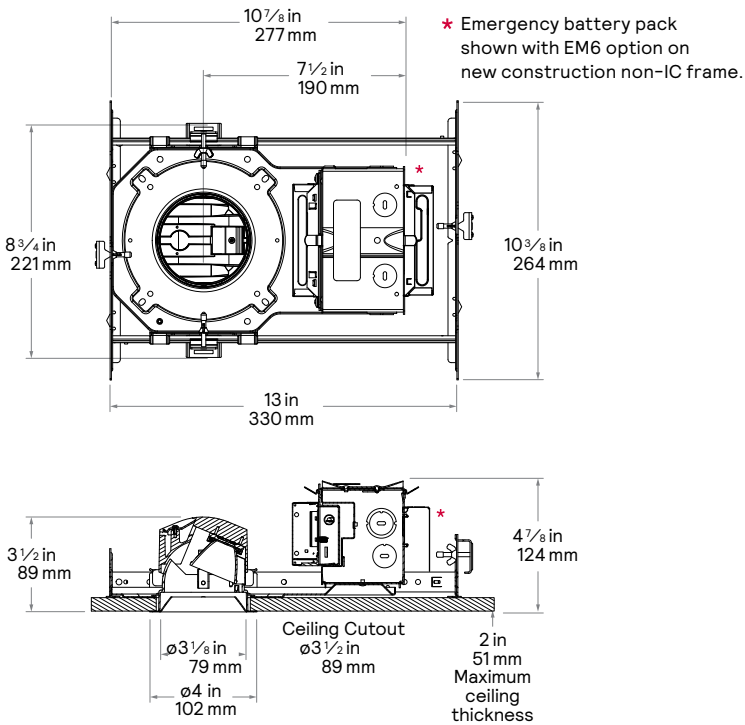
Interact supported sensor option codes across Genlyte product lines

	Evokit	Day-Brite	Ledalite	Lightolier
ZigBee + Bluetooth + Sensing	SWZCS	SWZCS	CS	SBA accessory (external)
ZigBee + Bluetooth	RADIO	RADIO	RA	RA
ZigBee + Bluetooth + Sensing + Environmental data	IAOSB	IAOSB	SB	SB
ZigBee + Highbay + Sensing	-	SWZCSH	-	-

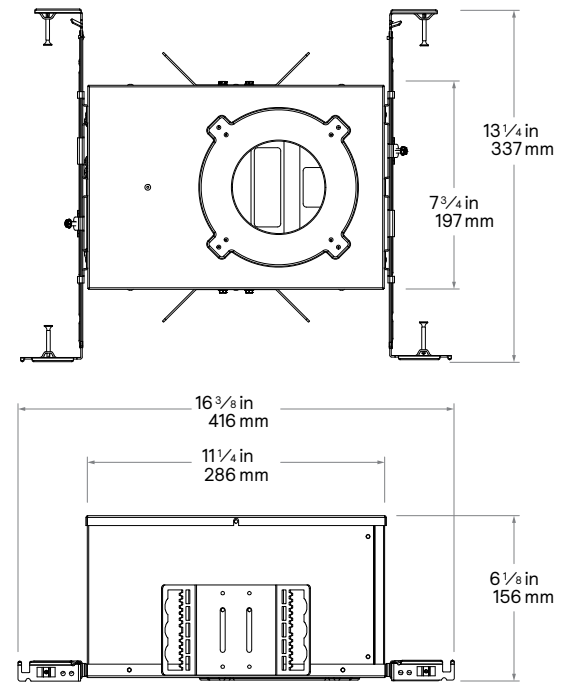
P3RA LyteProfile 3"

Round adjustable accent

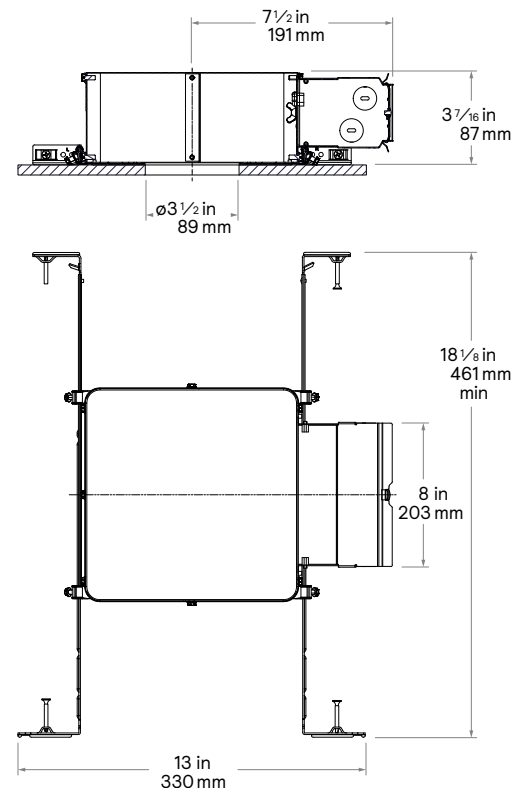
New construction (N)



Standard IC (A) and Chicago plenum (LC)



Shallow IC (S)



P3RA LyteProfile 3"

Round adjustable accent

Polished Reflectors Shown as round reflectors but represent the finish of LyteProfile square reflectors.



Specular clear (CL): Most specular and most efficient finish, delivers maximum photometric performance but can produce a mirror image effect of the interior space.



White (WH): (matte) Brightest illuminated aperture and provides the smoothest transition to most ceilings when off (white is only available with a white flange).



Comfort clear (CC): Semi-specular finish that softens the light at the source of the reflector and creates a subtle, even luminance from the reflector cone.



Black (BK): (anodized) Specular finish that provides the lowest aperture brightness possible and significantly reduces source identification in a ceiling.



Comfort clear diffuse (CD): Slightly diffuse clear finish, that eliminates iridescence and reduces the mirror image effect inherent with specular finishes.

Flanges



White (-): (matte) Provides the smoothest transition to ceilings when off.



Polished (P): (matches aperture) Produces a continuous look throughout the reflector (aperture matching).

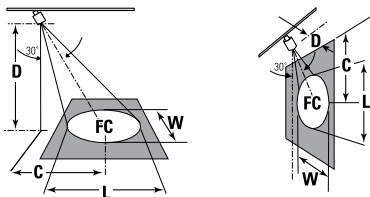
P3RA LyteProfile 3"

Round adjustable accent

Aiming angles

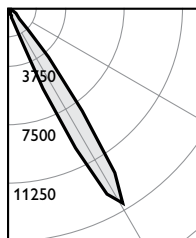
L and W are the outer points where the candle power drops to 50% of the maximum. FC are the initial footcandles at the center of the beam. Data shown is for 3000K, use the table on the right for CRI/CCT adjustment factors.

FC Footcandles
L Beam length
W Beam Width
D Distance
A Aiming Angle
C Distance to center beam
CBCP Center Beam Candlepower



Adjustment Factors

Standard	Shallow 1" Regress	CCT (90CRI)	Lumens
CL = 105%	WT = 112%	4000K = 107%	1500lm = 130%
CC = 100%	D = 100%	3500K = 100%	1000lm = 100%
CD = 80%	BZ = 77%	3000K = 93%	500lm = 50%
WH = 80%	BT = 74%	2700K = 87%	
CZ = 78%			
BK = 40%			



Frame: **3RN**
Engine: **P3RA10935NSCCZ10U**

Output lumens: 1155lms
Input watts: 15.6W
CRI: 90min
CCT¹: 3500K
CBCP: 14486cd
Beam Angle: 13°

Efficacy: **74.0lm/w**
Report²: F041198

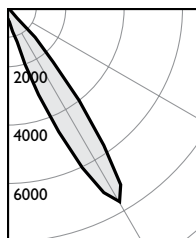
Narrow Spot, 1000lm engine, 74 lm/W at 16W

30° Horizontal Aiming

Distance			Beam		
D	C	F.C.	L	W	
6	3.5	261	1.8	1.6	
8	4.6	147	2.4	2.1	
10	5.8	94	3.1	2.6	
12	6.9	65	3.7	3.2	

30° Vertical Aiming

Distance			Beam		
D	C	F.C.	L	W	
2	3.5	453	1.9	0.9	
3	5.2	201	2.8	1.4	
4	6.9	113	3.8	1.8	
5	8.7	72	4.7	2.3	



Frame: **3RN**
Engine: **P3RA10935SPCCZ10U**

Output lumens: 1046lms
Input watts: 15.6W
CRI: 90min
CCT¹: 3500K
CBCP: 7624cd
Beam Angle: 17°

Efficacy: **67.1lm/w**
Report²: F041201

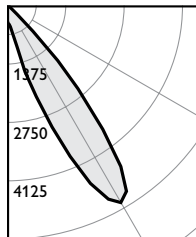
Spot, 1000lm engine, 67 lm/W at 16W

30° Horizontal Aiming

Distance			Beam		
D	C	F.C.	L	W	
6	3.5	138	2.4	2.1	
8	4.6	77	3.2	2.8	
10	5.8	50	4.0	3.5	
12	6.9	34	4.8	4.1	

30° Vertical Aiming

Distance			Beam		
D	C	F.C.	L	W	
2	3.5	238	2.6	1.2	
3	5.2	106	3.8	1.8	
4	6.9	60	5.1	2.4	
5	8.7	38	6.4	3.0	



Frame: **3RN**
Engine: **P3RA10935NFCCZ10U**

Output lumens: 1008lms
Input watts: 15.6W
CRI: 90min
CCT¹: 3500K
CBCP: 5339cd
Beam Angle: 21°

Efficacy: **64.6lm/w**
Report²: F041204

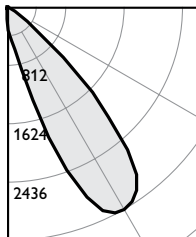
Narrow Flood, 1000lm engine, 65 lm/W at 16W

30° Horizontal Aiming

Distance			Beam		
D	C	F.C.	L	W	
6	3.5	96	3.0	2.6	
8	4.6	54	4.0	3.4	
10	5.8	35	5.0	4.3	
12	6.9	24	6.0	5.1	

30° Vertical Aiming

Distance			Beam		
D	C	F.C.	L	W	
2	3.5	167	3.3	1.5	
3	5.2	74	5.0	2.2	
4	6.9	42	6.6	3.0	
5	8.7	27	8.3	3.7	



Frame: **3RN**
Engine: **P3RA10935FLCCZ10U**

Output lumens: 1024lms
Input watts: 15.6W
CRI: 90min
CCT¹: 3500K
CBCP: 3253cd
Beam Angle: 29°

Efficacy: **65.6lm/w**
Report²: F041207

Flood, 1000lm engine, 66 lm/W at 16W

30° Horizontal Aiming

Distance			Beam		
D	C	F.C.	L	W	
6	3.5	59	4.2	3.6	
8	4.6	33	5.6	4.8	
10	5.8	21	7.1	6.0	
12	6.9	15	8.5	7.2	

30° Vertical Aiming

Distance			Beam		
D	C	F.C.	L	W	
2	3.5	102	5.2	2.1	
3	5.2	45	7.8	3.1	
4	6.9	25	10.4	4.1	
5	8.7	16	12.9	5.2	

1. Correlated Color Temperature within specs as defined in ANSI_NEMA_ANSI C78.377-2008: Specifications for the Chromaticity of Solid State Lighting Products.
2. Tested using absolute photometry as specified in LM79: IESNA Approved Method for the Electrical and Photometric Measurements of Solid-State Lighting Products.

