



by  Signify

Floodlighting

Designer Flood



**A floodlight of
practical design and
exceptional performance**



DFC7 luminaire

Designer Flood LED

The Gardco Designer Flood LED combines impressive floodlighting performance and control with the efficiency and energy savings of the LED source. Based on the popular Designer Floodlight Series, this new line of architectural luminaires is specifically designed for advanced LED arrays.

LEDs are significantly more sensitive and operate differently than HID systems. Simply placing LEDs into existing luminaires is almost certain to reduce LED life and adversely affect performance. The housing of the Designer Flood LED provides advanced thermal management to dissipate heat, thereby maximizing the inherent sustainability of the LED source.

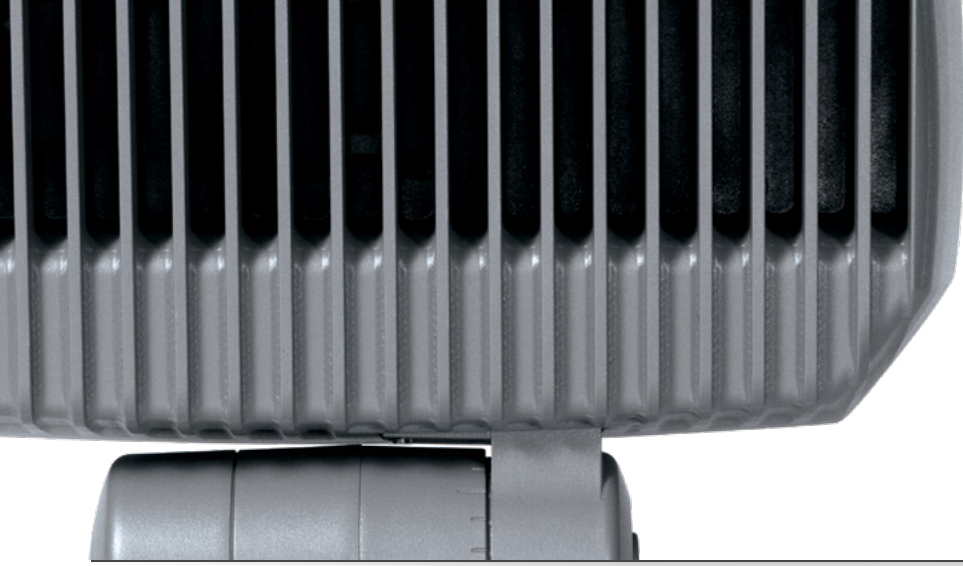
While the housing shape is redesigned to better suit the source, the best elements of the Designer Floodlight Series are retained, including the die cast aluminum construction, rugged mounting knuckle, integral splice box, and tamper-resistant fasteners, all protected by a textured polyester powdercoat finish, silicone seals and moisture-proof gasketing.

Whether ground, wall, ceiling or pole mounted, its timeless form is always appropriate, comfortably blending into its surroundings. It is performance, however, that distinguishes Gardco and the Designer Flood LED. When used in place of HID systems, the Designer Flood LED offers significant energy savings.

Numerous precision optical systems are available, delivering the right pattern for any application. Free from streaks and striations, these distributions place the intended target in its best light. But having the right distribution pattern is only half of the battle. Frequently, setback considerations and architectural limitations make placing the luminaire extremely challenging. With its numerous mounting options, the Designer Flood LED addresses these concerns practically and handsomely. Mounting accessories are specifically designed to complement the luminaire, and with its integral splice box, the luminaire can be mounted flush at grade. Combined with 358° horizontal and 180° vertical rotational ability, you have a precision lighting instrument that can only come from Gardco.

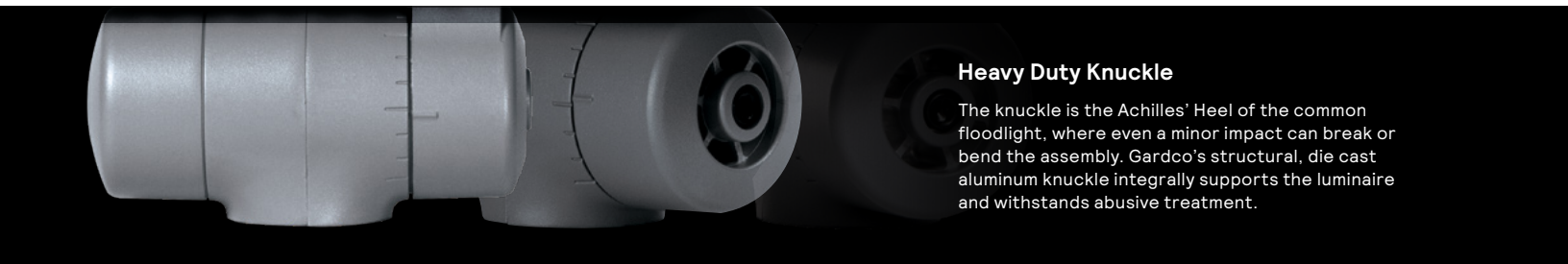


DFL7 luminaire



Intelligent Construction

The low-level environment is extremely severe. Vandalism, landscaping equipment and Mother Nature combine to gradually destroy everything within its grasp. And yet it is also a setting where the luminaire is most often seen, with mounting positioned nearer to the users of the site. A luminaire must be solid and durable if it is to survive in these harsh surroundings.



Heavy Duty Knuckle

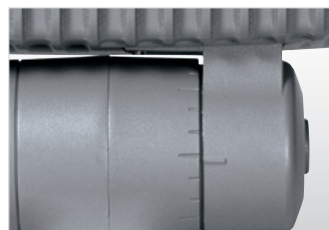
The knuckle is the Achilles' Heel of the common floodlight, where even a minor impact can break or bend the assembly. Gardco's structural, die cast aluminum knuckle integrally supports the luminaire and withstands abusive treatment.

Durable and practical construction features are a hallmark of all Gardco products, including the Designer Flood LED. Die cast aluminum construction ensures precise mating of the luminaire components and provides for long-lasting operation. Deep integral airways direct airflow around the luminaire serving to dissipate heat, crucial to long LED life. The luminaire is thoroughly sealed and gasketed at all points of entry and material transition to exclude moisture, dust, contaminants and insects. Textured polyester powdercoat finishes repel moisture, corrosives and ultraviolet rays. Every luminaire is thoroughly tested to ensure proper electrical operation.



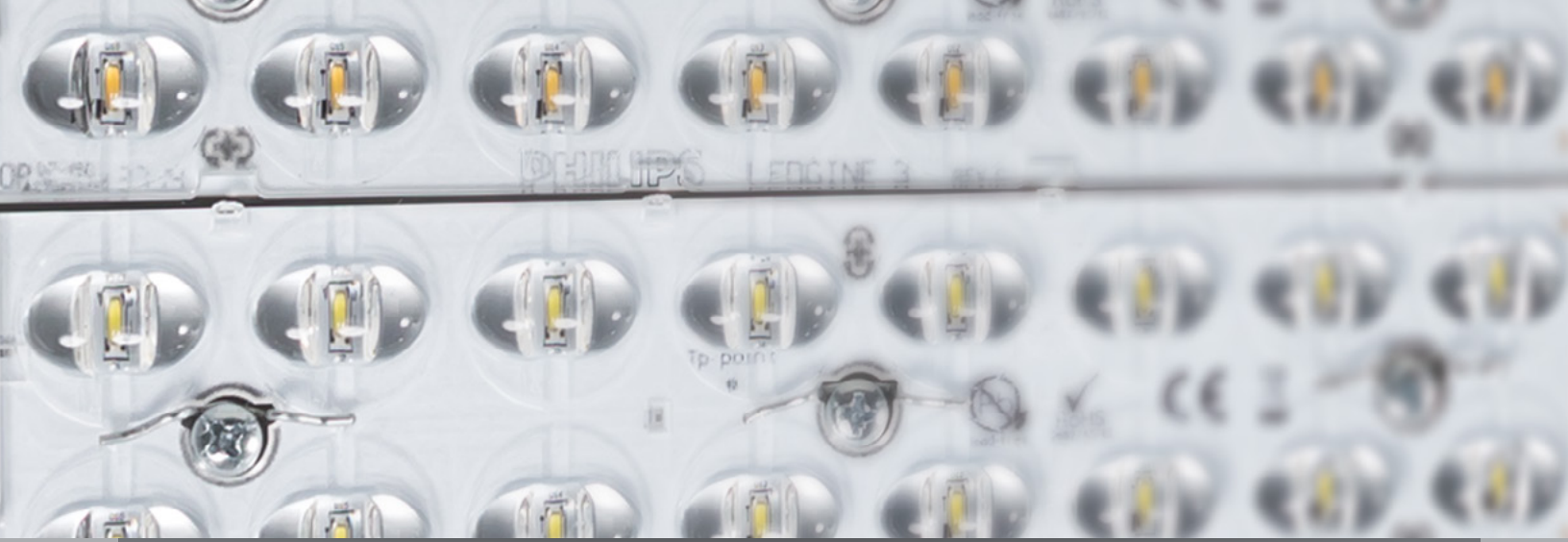
Integrated J-Box

Wire splices are made in the spacious splice compartment, which is suitable for through-circuit wiring. No auxiliary junction box is required, allowing for at-grade mounting. Fully gasketed providing a cULus Wet Location seal.



Easily Adjustable

A single hex head bolt is tightened to secure the luminaire's tilt. Incremental 5° tick marks are provided in the casting to allow for precise aiming and to facilitate the alignment of multiple luminaires.



LED performance offering significant energy savings versus HID

The primary assessment of a sophisticated floodlight is performance. The needs are simple: provide practical distribution patterns that feature clean, unstriated illumination, allow for wide luminaire spacings and minimize brightness at normal viewing angles. The Gardco Designer Flood LED accomplishes this with numerous precision optical systems, each providing distinct visual cutoff to the LED source at normal viewing angles. The DFC7 features a cutoff hood to further control unwanted brightness.

Spot 'SP' (NEMA 2x2)

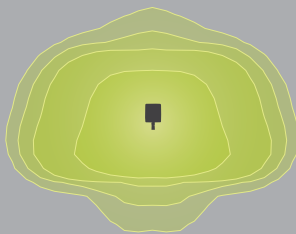
Applications:
Wall Grazing, Columns, Statues and Monuments, Bridges



20' Setback, 0° Tilt
50% Main Beam: 15°H x 15°V
10% Field Beam: 24°H x 24°V

Asymmetric 33° Flood 'A33' (NEMA 6 x 5)

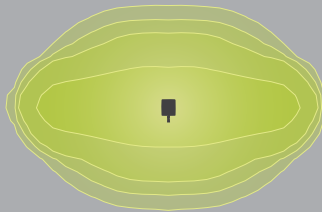
Applications:
Area Lighting, Facade (10-20'), Courtyard, Vertical Signage



20' Setback, 0° Tilt
50% Main Beam: 81°H x 38°V
10% Field Beam: 119°H x 77°V

Rectangular Medium 'RM' (NEMA 7 x 4)

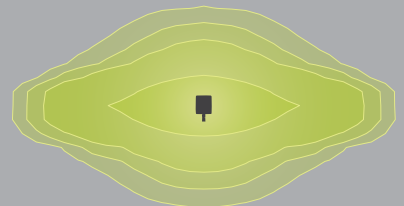
Applications:
General Area, Ground-Mounted Signage, Atriums, Facade (One-Story)



20' Setback, 0° Tilt
50% Main Beam: 81°H x 39°V
10% Field Beam: 119°H x 77°V

Rectangular Narrow 'RN' (NEMA 7 x 5)

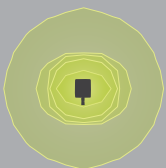
Applications:
Facade (30-50'), Signage, Wall Grazing, Ceilings



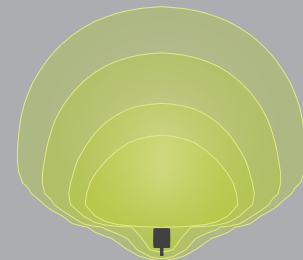
20' Setback, 0° Tilt
50% Main Beam: 138°H x 41°V
10% Field Beam: 148°H x 75°V

Rectangular Spot 'RSP' (NEMA 3x3)

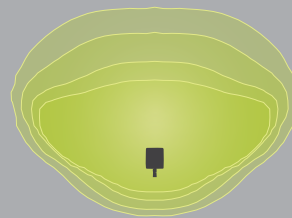
Applications:
Flags, Signage, Statues



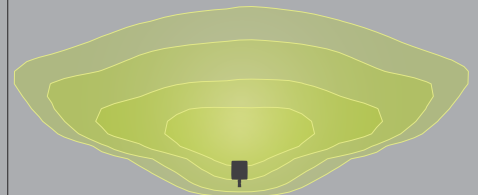
20' Setback, 0° Tilt
50% Main Beam: 22°H x 13°V
10% Field Beam: 40°H x 30°V



10' Setback, 60° Tilt
50% Main Beam: 81°H x 38°V
10% Field Beam: 119°H x 77°V



5' Setback, 25° Tilt
50% Main Beam: 81°H x 39°V
10% Field Beam: 119°H x 77°V



15' Setback, 45° Tilt
50% Main Beam: 138°H x 41°V
10% Field Beam: 148°H x 75°V

Ordering guide

example: DFL7-A33-32L-900-NW-G2-UNV-DGY-SP2

Prefix	Distribution	Number of LEDs	Drive Current	Color Temperature	Voltage	Finish	Options
DFL7 Designer Floodlight LED 7" with Standard Flat Door	SP (NEMA 2x2) Spot (12° round) RSP (NEMA 3x3) Rectangular Spot RM (NEMA 7x4) Rectangular Medium Flood RN (NEMA 7x5) Rectangular Narrow Flood A33 (NEMA 6x5) Asymmetric 33° Flood	16L 16 LEDs 32L 32 LEDs	350 350mA 530 530mA 700 700mA 900 900mA 1A 1 Amp 1.2A 1.2 Amp 350 350mA 530 530mA 700 700mA 900 900mA	CW-G2 Cool White 5000K, 70 CRI Generation 2 NW-G2 Neutral White 4000K, 70 CRI Generation 2 WW-G2 Warm White 3000K, 70 CRI Generation 2	UNV 120-277V (50/60Hz) HVU 347-480V (50/60Hz) 120 120V 208 208V 240 240V 277 277V 347 347V 480 480V	Textured BK Black WH White BZ Bronze DGY Dark Gray MGY Medium Gray Customer specified RAL Specify optional color or RAL (ex: OC-LGP or OC-RAL7024) CC Custom color (Must supply color chip for required factory quote)	none Leave blank DD 0-10V Dimming Driver (controls by others) PCB Photocontrol Button ESB Extended Splice Box Fusing none Leave blank F1 Single (120, 277, 347VAC) F2 Double (208, 240, 480VAC) F3 Canadian Double Pull (208, 240, 480VAC) Surge Protection blank 10kV / 10kA (standard) SP2 20KV 10KA 120-277VAC SP2HV 20KV 10KA 347-480VAC

Mounting Accessories

(order separately, field installed)

—	Leave blank (no Mounting option; Floodlight fits directly on 1-1/2" (1.9" or 48.3mm O.D.) rigid conduit)
C RIGID CONDUIT MT (F)	Stub-up Rigid Conduit Mount. For direct mounting to (2) 1/2" (1.27cm) or 3/4" (1.91cm) rigid conduit such as GRC Galvanized Rigid Steel Conduit, IMC Intermediate Metal Conduit, etc. No j-box required. Must use factory supplied mounting insert when setting stub-ups.
J J-BOX MT (F)	J-Box Mount. For mounting onto weather-proof J-box (by others)
W WALL/CEIL. MT (F)	Wall/Ceiling Canopy Mount. For mounting over (not to) a 4" recessed outlet box. When mounted on vertical surface, provides vertical aiming from straight down to 100° up from nadir. When mounted on a vertical surface, long axis of luminaire must be horizontal (+/-30°). Mounts directly to wall or ceiling. The surface structure must be suitable to support the luminaire. Only suitable for use on non-combustable surfaces.
WMB WALL MT BULLHORN (F)	Wall Mount Bullhorn. For mounting over (not to) a 4" (10.16cm) recessed outlet box. Provides full axial 180° vertical and 358° rotational aiming. Mounts direct to wall. Surface structure must be suitable to support the assembly. Outer end of WMB must be in the "straight up" position, as shown in diagram on page 3. Luminaire mounts with the knuckle below the body of the luminaire only.
W90 WALL ARM MT (F)	Wall Arm Mount. For mounting over (not to) a 4" (10.16cm) recessed outlet box. Provides full axial 180° vertical and 358° rotational aiming range. Mounts direct to wall. Surface structure must be suitable to support the luminaire. When mounted in wet locations, luminaire must be mounted as shown in diagrams on page 3. In damp or dry locations, arm assembly may be inverted.

Additional Mounting Accessories

(order separately, field installed)

ST 18" STANCHION (F)	Stanchion Mount. 18" (45.72cm) high stanchion for in-ground concrete burial mounting.
ST/SM 18" (F)	Surface Mount Stanchion. For mounting to 18" (45.72cm) high stanchion pole assembly.
PTA (F)	Pole top 2-3/8" (6.03cm) tenon adapter
TAB TWIN ARM BRKT (F)	Twin arm bracket for use with ST, SM, or PTA
PT2 DUAL HEAD ADPTR (F)	Pole top 2-3/8" (6.03cm) tenon adapter for twin back to back luminaire mounting.

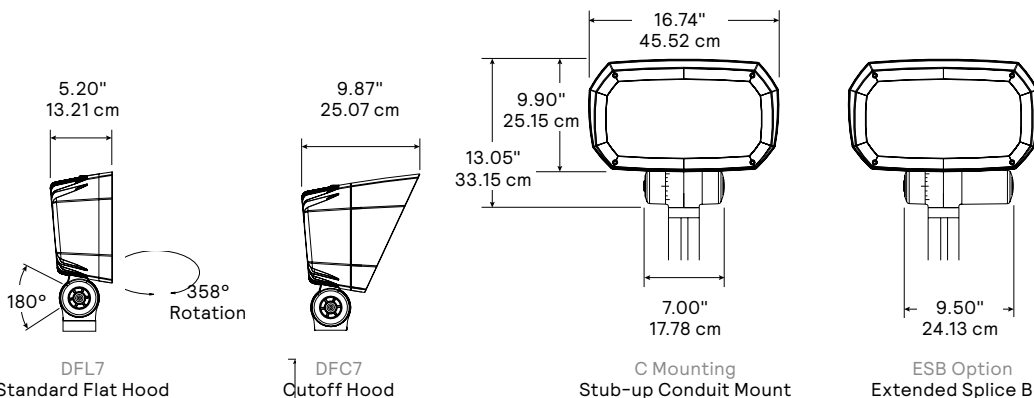
Accessories

(order separately, field installed)

PSO	Offset Polycarbonate Flat Shield
WG	Wire Guard

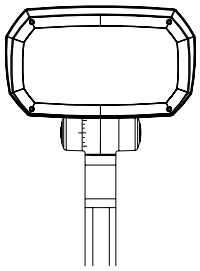
* Prior to ordering, consult specification sheets on gardcolighting.com for the most current information, notes, and exclusions.

Dimensions

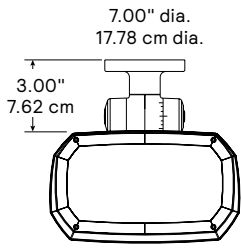


Designer Flood LED 7" Pole Loading Data	EPA	
	DFL7	DFC7
Single Luminaire on PTA Adapter	1.5 ft ² 0.14m ²	1.8 ft ² 0.17m ²
Twin Luminaires on PTA Adapter	2.1 ft ² 0.20m ²	2.7 ft ² 0.25m ²
Twin Luminaires on TAB Adapter	3.2 ft ² 0.30m ²	3.9 ft ² 0.37m ²
Approximate Single Luminaire Weight	19 lbs 8.62 kg	20.5 lbs 9.30 kg

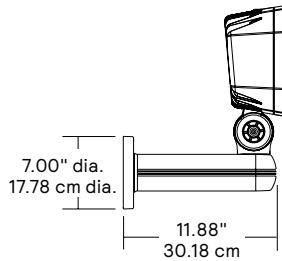
Dimensions



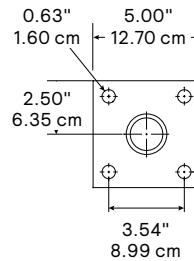
J Mounting
J-box Mount



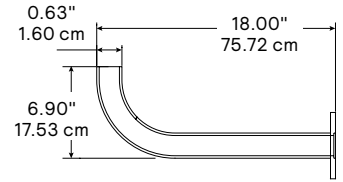
W Mounting
Wall/Ceiling Canopy Mount
(ceiling mount shown)



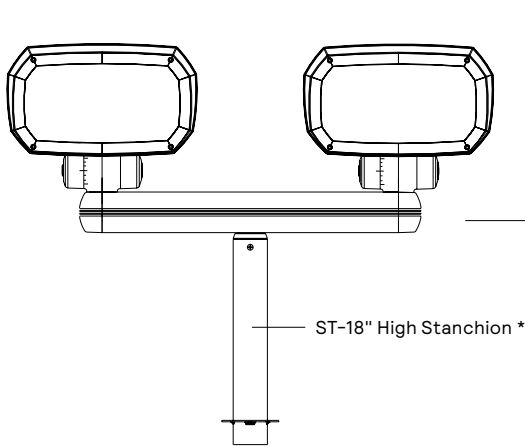
W90 Mounting
Wall Arm Mount



WMB Mounting
Bolt Pattern



WMB Mounting
Wall Mount Bullhorn

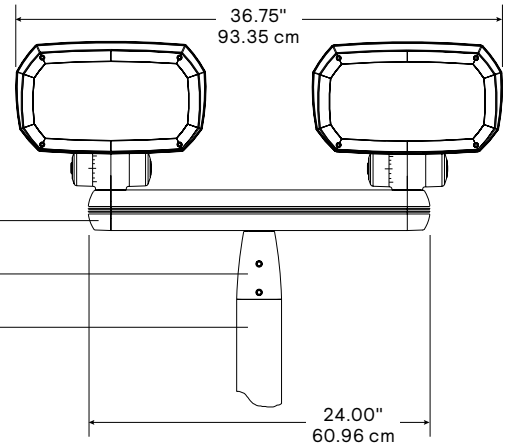


ST Mounting w/TAB
Stanchion Mount in concrete with Twin
Arm Bracket

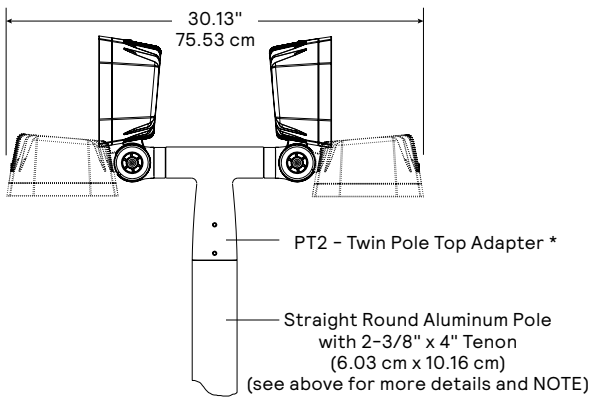
TAB - Twin Arm Bracket *

PTA - Pole Top Adapter *

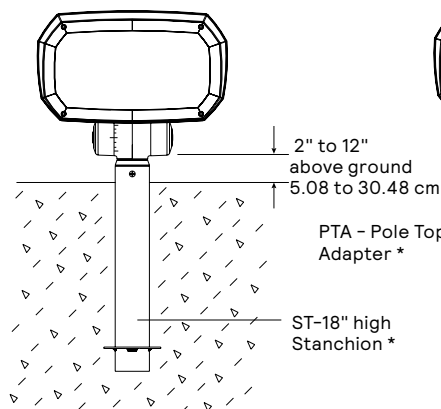
Straight Round
Aluminum Pole with
2-3/8" x 4" Tenon
(6.03 cm x 10.16 cm) (such
as Cast Base CB, Hinged
Base HB, Tenon Base STB
- specify T2 drilling for
2-3/8" O.D. tenon)
NOTE: confirm EPA per
table at bottom of page 2



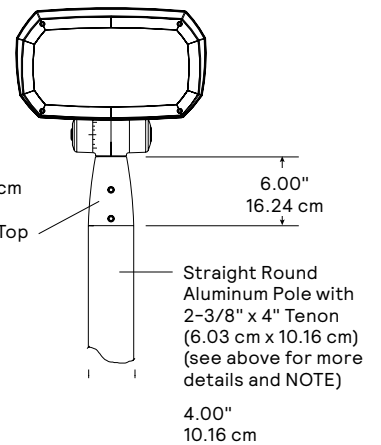
PTA Mounting w/TAB
Pole Top Mount with Twin Arm Bracket



PT2 Mounting
Pole Top Tenon Adapter for Twin Back-to-Back



ST Mounting
Stanchion Mount in Concrete



PTA Mounting
Pole Top Mount with Pole Top Adapter

* Order mounting accessories separately.

