

LUMEC

by  Signify

Explore your mounting potential

Endless possibilities to complete your luminaire package

Outdoor

Poles & Brackets



We are Lumec

Explore your mounting potential

Lumec is a recognized lighting leader in high quality environmentally sustainable decorative outdoor solutions and roadway applications. We understand that light is an essential part of our lives and that it illuminates our environment. It provides safety and security; it lends atmosphere and style. We are committed to making high-quality, sustainable and dependable outdoor lighting products that live in harmony with their surroundings.



Contents

A comprehensive line	2
Why choose Lumec	4
The Lumec difference	6
Lumec Poles	8
Lumec Brackets	16
Accessories and options . . .	18
Finishes and colors	21



The most comprehensive pole and bracket line on the market

Ranging from traditional to modern, classic to bold, our large selection of poles, brackets, accessories and options will provide endless possibilities to complete your luminaire package. Each of our products are a complete solution, combining quality, functionality and aesthetics. Regardless of model or use, our wide range of poles and mounting arms share common benefits and features, whose specifications have been defined according criteria that are inherent to Lumec quality.



Limitless possibilities

Lumec offers a wide variety of options for its luminaires, poles and brackets. If we calculate every option permutation, we easily reach over one million different luminaire possibilities. Whether it's a photoelectric cell, a loudspeaker outlet, banner arms, plant support, or any other customization, we have the options that you need to create the effect that you want.



Why choose Lumec poles and brackets?

We don't simply manufacture poles and brackets, we design and build them in-house, to offer you a variety of styles and options, with high quality standards, and we have been doing this for decades, always leading the way.

Manufacturing

A constant commitment

We strive for the highest manufacturing quality standards because we know that it is precisely this level of quality that allows our poles and brackets to withstand the test of time, and to provide dependable lighting for the ages.

Capabilities and certifications at a glance:

- In-house structural engineers
- ASHTOO certified pole assemblies
- CSA Certified Poles
- UL certified Poles & Luminaires
- ISO 9001 & ISO 14001
- Canadian Welding Bureau

Finishing

A premium protection

Whatever project you design, lighting solutions should not be chosen solely on the basis of illumination characteristics. A positive first impression is crucial, which is why the finish quality is so important.

Lumec's continuous improvement program has led to the development of an outstanding thermosetting powder coating process for exterior applications. This process enhances resistance to ultraviolet rays, salt spray corrosion and extreme weather conditions.

Paint would be nothing without a proper surface treatment. Lumec's immersion process deposits a Zirconium-based nanotechnology layer that protects steel and aluminum products against corrosion and promotes paint adhesion.





Experience the Lumec difference

Signify offers an undisputable web tool that enables you to create and visualize a 3D presentation of a complete luminaire assembly within a 2D or 3D environment. Leverage the knowledge and competencies of our organization to support your customers' projects.

Signify 3D

A powerful resource

The indisputable web tool that enables you to create and visualize a 3D representation of a complete luminaire assembly, including poles and brackets, within a 2D or 3D environment. Looking for a curved poled double head Capella in midnight blue? No problem! Select a pole, bracket, light source, luminaire, colors, materials, options, and you're done. Signify3D makes assembling, testing for functionality and compatibility, visualizing, getting an EPA rating and ordering Lumec products easier than ever before.



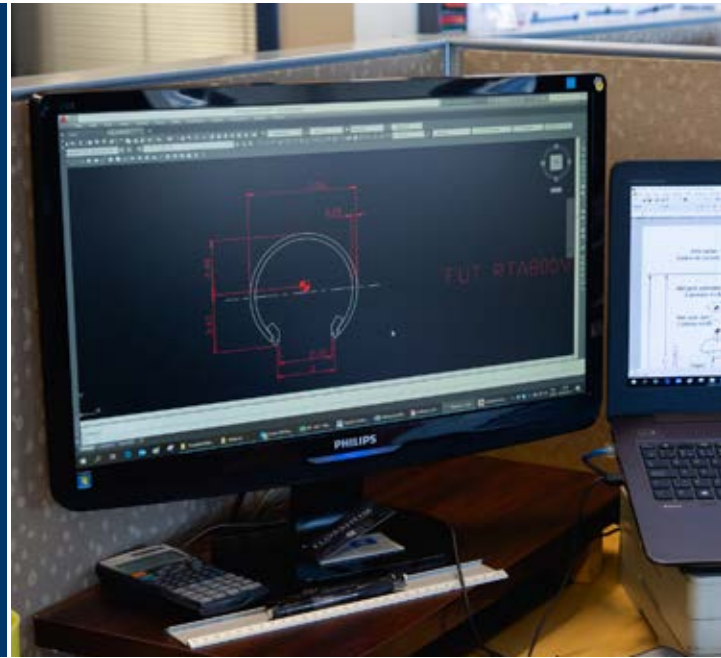
Visit Signify 3D at 3dconfigurator.signify.com this tool is a powerful resource to assemble, customize, and visualize poles & brackets.

Satisfy any customer with Engineered to Order services

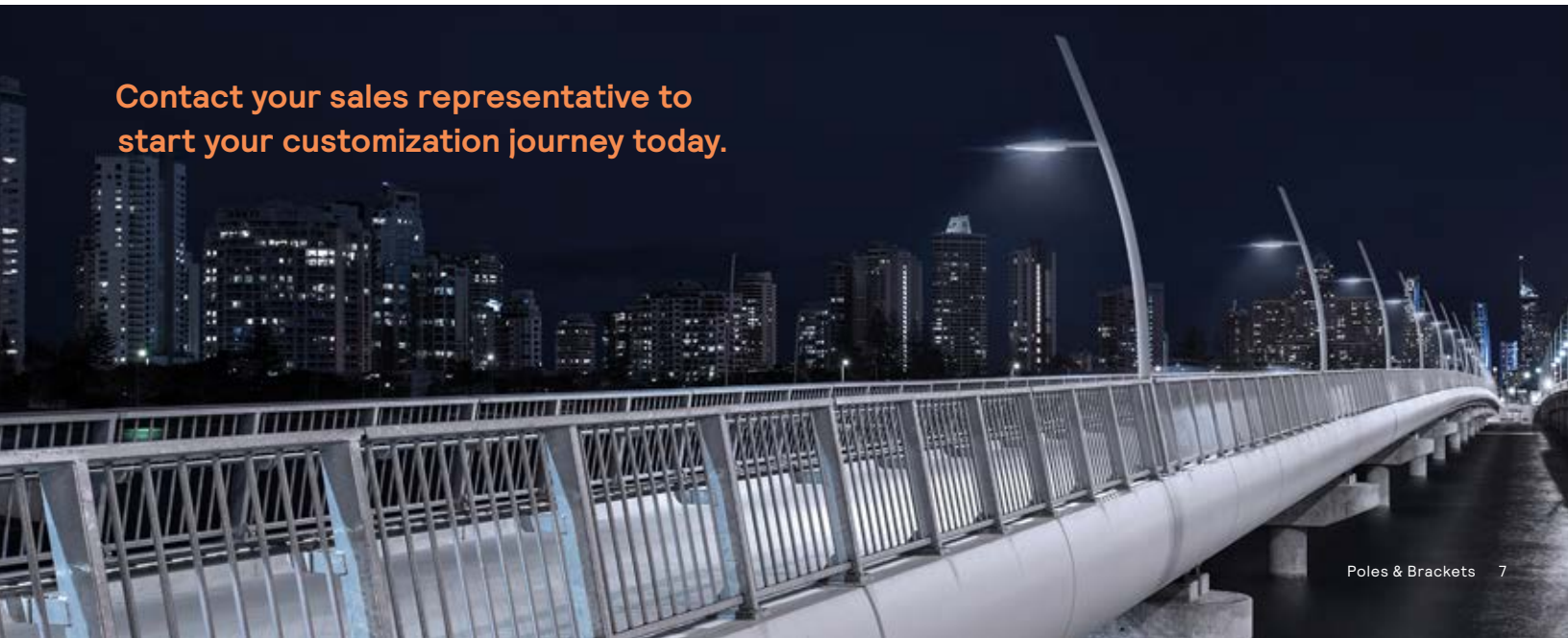
While we offer a broad range of configurable poles, brackets and accessories to meet your needs, nearly everything is customizable. Lumec works closely with you to design products and services around your specific needs, through our "Engineered To Order" Program. Whether you need a special finish, an entirely new pole, or even mix-matching between our different brands, we've got you covered.

You dream it.
We create it.

- Special mounting options
- Special finishes
- Simple to complex modifications
- Aesthetic modifications
- Performance modifications



Contact your sales representative to
start your customization journey today.



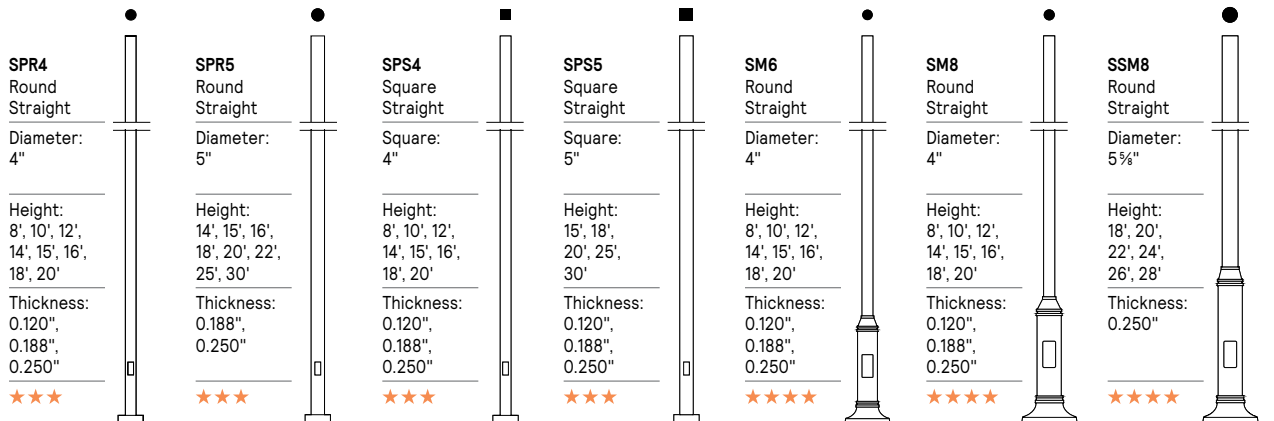
Poles



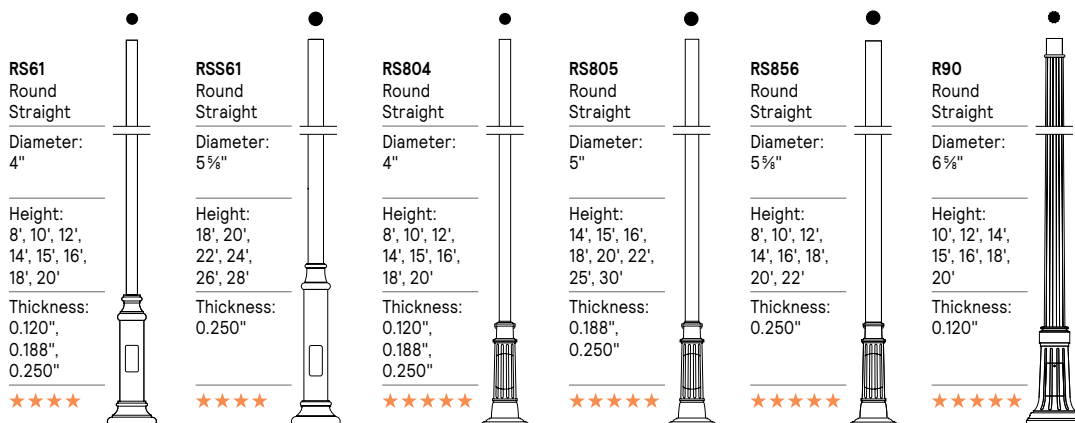
A world of possibilities

Each project has its own personality and each environment has its unique characteristics. That's why our line of poles is so vast and our quality so high. We know that with Lumec you will find the poles that fit your project perfectly, regardless of challenges and constraints.

Steel poles

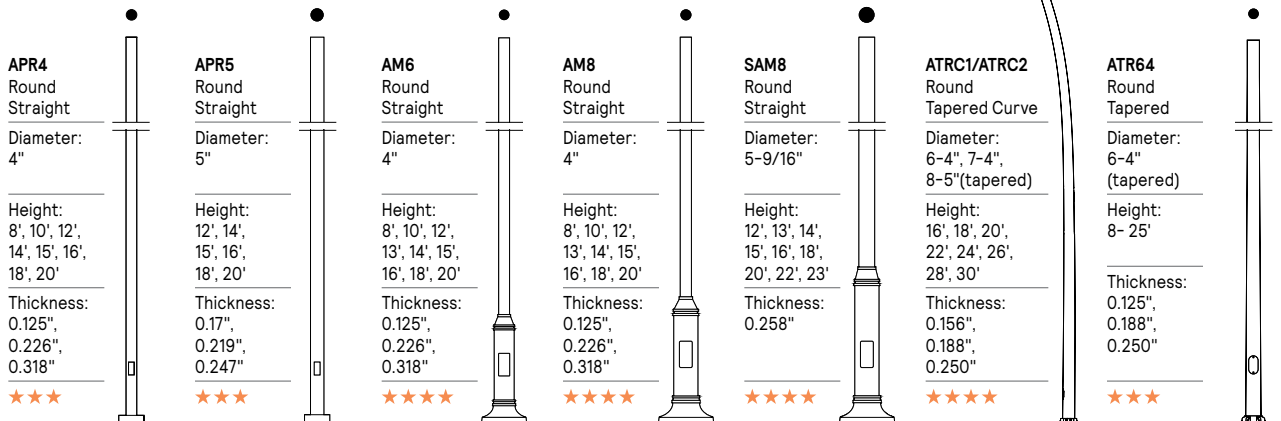


Base	10" (square)	12½" (square)	10" (square)	12½" (square)	16" (round)	18" (round)	18" (round)
Bolt Circle	8½"	12½"	8½"	12½"	10½"	12½"	12½"
Opt. Base Covers	LBC1/C2/C3, LBC4C	LBC1, B105, B50	—	—	—	—	—
EPA @ 90 MPH	6.43-28.85	11.41-30.00	15.10-30.00	18.85-30.00	8.64-30.00	9.10-30.00	25.36-30.00
EPA @ 110 MPH	3.50-19.40	7.25-30.00	9.65-30.00	12.47-30.00	5.14-30.00	5.49-30.00	17.19-30.00
EPA @ 120 MPH	2.56-16.27	5.96-25.56	7.90-30.00	10.38-30.00	4.03-30.00	4.32-30.00	14.44-30.00
EPA @ 150 MPH	1.36-10.44	3.48-16.47	4.56-30.00	6.47-30.00	2.37-20.32	2.56-22.17	9.13-21.20
Options	Buried Pole Loudspeaker Outlet Photoelectric Cell Duplex Receptacle GFI — Banner Arm Plant Support Mid-Pole Luminaire Optional Base Covers	Buried Pole Loudspeaker Outlet Photoelectric Cell Duplex Receptacle GFI Hinged Base Banner Arm Plant Support Mid-Pole Luminaire Optional Base Covers	Buried Pole Loudspeaker Outlet Photoelectric Cell Duplex Receptacle GFI — Banner Arm Plant Support Mid-Pole Luminaire Square Base Cover	Buried Pole Loudspeaker Outlet Photoelectric Cell Duplex Receptacle GFI — Banner Arm Plant Support Mid-Pole Luminaire Square Base Cover	Buried Pole Loudspeaker Outlet Photoelectric Cell Duplex Receptacle GFI — Shorting Cap Banner Arm Plant Support Mid-Pole Luminaire Bottleneck Base	Buried Pole Loudspeaker Outlet Photoelectric Cell Duplex Receptacle GFI — Banner Arm Plant Support Mid-Pole Luminaire Bottleneck Base	Buried Pole Loudspeaker Outlet Photoelectric Cell Duplex Receptacle GFI — Banner Arm Plant Support Mid-Pole Luminaire Bottleneck Base

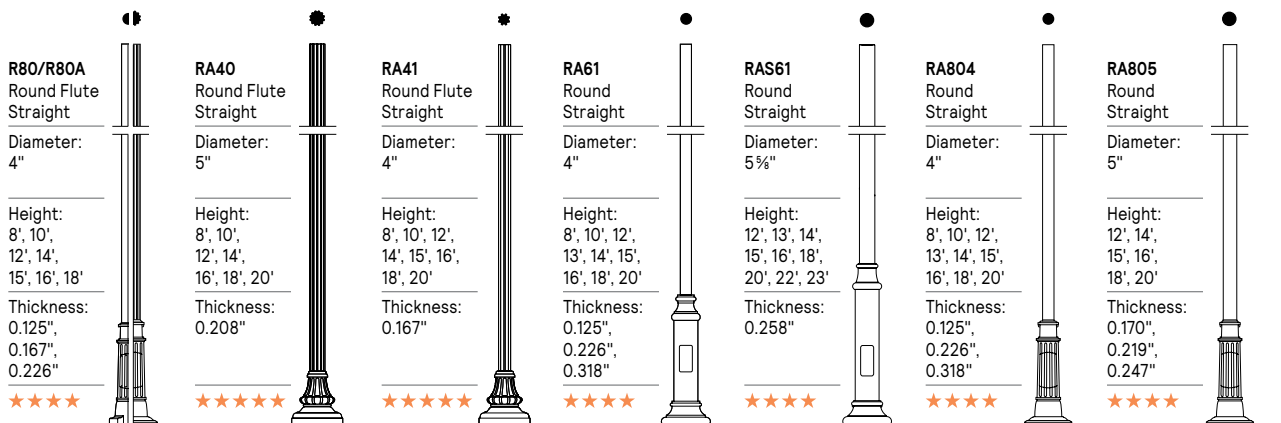


Base	18" (round)	18" (round)	16½" (round)	16½" (round)	16½" (round)	17½" (round)	
Bolt Circle	12½"	8½"	8½"	12½"	12½"	12½"	
Opt. Base Covers	—	12½"	—	—	—	—	
EPA @ 90 MPH	5.32-30.00	25.36-30.00	6.43-28.85	11.41-30.00	11.44-30.00	30.00	
EPA @ 110 MPH	2.94-20.59	17.19-30.00	3.50-19.40	7.25-30.00	7.39-30.00	25.20-30.00	
EPA @ 120 MPH	2.21-17.35	14.44-30.00	2.56-16.27	5.96-30.00	6.08-30.00	21.14-30.00	
EPA @ 150 MPH	1.22-11.20	9.13-21.20	1.36-10.44	3.48-30.00	3.60-25.12	13.66-22.40	
Options	Buried Pole Loudspeaker Outlet Photoelectric Cell Duplex Receptacle GFI — Banner Arm Plant Support Mid-Pole Luminaire Bottleneck Base	Buried Pole Loudspeaker Outlet Photoelectric Cell Duplex Receptacle GFI — Banner Arm Plant Support Mid-Pole Luminaire Bottleneck Base	Buried Pole Loudspeaker Outlet Photoelectric Cell Duplex Receptacle GFI — Banner Arm Plant Support Mid-Pole Luminaire Fluted Bottleneck Base	Buried Pole Loudspeaker Outlet Photoelectric Cell Duplex Receptacle GFI — Banner Arm Plant Support Mid-Pole Luminaire Fluted Bottleneck Base	Buried Pole Loudspeaker Outlet Photoelectric Cell Duplex Receptacle GFI — Banner Arm Plant Support Mid-Pole Luminaire Fluted Bottleneck Base	— Loudspeaker Outlet Photoelectric Cell Duplex Receptacle GFI — Banner Arm Plant Support Mid-Pole Luminaire Fluted Bottleneck Base	— Loudspeaker Outlet Photoelectric Cell Duplex Receptacle GFI — Banner Arm Plant Support Mid-Pole Luminaire Fluted Bottleneck Base

Aluminum poles



Base	10" (square)	12½" (square)	16" (round)	18" (round)	15" (round)	12", 14" (square)	11¼" (square)
Bolt Circle	8½"	12½"	10½"	12½"	12½"	10½", 12½"	9½"
Opt. Base Covers	LBC1/C2/C3, LBC4C	LBC1, B105, B50	—	—	—	—	—
EPA @ 90 MPH	3.27-18.64	5.86-21.72	5.67-27.82	5.32-30.00	14.78-30.00	N/A	N/A
EPA @ 110 MPH	1.36-12.35	3.41-14.46	3.21-18.85	2.94-20.59	9.71-28.46	N/A	N/A
EPA @ 120 MPH	1.19-10.28	2.72-12.13	2.45-15.86	2.21-17.35	8.07-23.89	N/A	N/A
EPA @ 150 MPH	1.16-6.53	1.45-7.66	1.37-10.21	1.22-11.20	4.94-15.14	N/A	N/A
Options	Buried Pole Loudspeaker Outlet Photoelectric Cell Duplex Receptacle GFI Hinged Base Banner Arm Plant Support Mid-Pole Luminaire Optional Base Covers	Buried Pole Loudspeaker Outlet Photoelectric Cell Duplex Receptacle GFI Hinged Base Banner Arm Plant Support Mid-Pole Luminaire Optional Base Covers	Buried Pole Loudspeaker Outlet Photoelectric Cell Duplex Receptacle GFI Hinged Base Banner Arm Plant Support Mid-Pole Luminaire Bottleneck Base	Buried Pole Loudspeaker Outlet Photoelectric Cell Duplex Receptacle GFI Banner Arm Plant Support Mid-Pole Luminaire Bottleneck Base	Buried Pole Loudspeaker Outlet Photoelectric Cell Duplex Receptacle GFI Banner Arm Plant Support Mid-Pole Luminaire Bottleneck Base	— — — — — — — — — — Mid-Pole Luminaire Base Bolt Covers	— Loudspeaker Outlet Photoelectric Cell Duplex Receptacle GFI — Banner Arm Plant Support Mid-Pole Luminaire Base Bolt Covers



Base	15½" (round)	17" (round)	17" (round)	18" (round)	18" (round)	16½" (round)	16½" (round)
Bolt Circle	12½"	10½"	10½"	12½"	12½"	8½"	12½"
Opt. Base Covers	TBC1, TBC2	—	—	TBC1, TBC2	—	—	—
EPA @ 90 MPH	3.82-29.69	8.75-30.00	4.52-16.98	6.70-30.00	14.78-30.00	3.27-18.64	5.86-21.72
EPA @ 110 MPH	1.80-20.17	5.02-22.78	2.13-11.25	3.71-20.59	9.71-28.46	1.36-12.35	3.41-14.46
EPA @ 120 MPH	1.22-16.98	3.85-19.15	1.39-9.36	2.80-17.35	8.07-23.89	1.19-10.28	2.72-12.13
EPA @ 150 MPH	1.16-10.94	1.65-12.11	1.33-5.81	1.53-11.20	4.94-15.14	1.16-6.53	1.45-7.66
Options	— Loudspeaker Outlet Photoelectric Cell Duplex Receptacle GFI Banner Arm Plant Support Mid-Pole Luminaire Optional Base Covers	— Loudspeaker Outlet Photoelectric Cell Duplex Receptacle GFI Banner Arm Plant Support Mid-Pole Luminaire Decorative Flute Base	— Loudspeaker Outlet Photoelectric Cell Duplex Receptacle GFI Banner Arm Plant Support Mid-Pole Luminaire Decorative Flute Base	Buried Pole Loudspeaker Outlet Photoelectric Cell Duplex Receptacle GFI Banner Arm Plant Support Mid-Pole Luminaire Bottleneck Base	Buried Pole Loudspeaker Outlet Photoelectric Cell Duplex Receptacle GFI Banner Arm Plant Support Mid-Pole Luminaire Bottleneck Base	Buried Pole Loudspeaker Outlet Photoelectric Cell Duplex Receptacle GFI Banner Arm Plant Support Mid-Pole Luminaire Fluted Bottleneck Base	Buried Pole Loudspeaker Outlet Photoelectric Cell Duplex Receptacle GFI Shorting Cap Banner Arm Plant Support Mid-Pole Luminaire Fluted Bottleneck Base

Aluminum poles

ATR74 Round Tapered	ATR85 Round Tapered	AMT8 Round Tapered	P135A Round Flute Straight	TM6 Round Tapered	RTA906 Round Flute Tapered	RTA928 Round Flute Tapered	
Diameter: 7-4" (tapered)	Diameter: 8-5" (tapered)	Diameter: 6-4" (tapered)	Diameter: 5"	Diameter: 6-4" (tapered)	Diameter: 6", 7"	Diameter: 6-4", 7-4", 8-4" (tapered)	
Height: 20', 21', 22', 23', 24', 25'	Height: 25', 26', 27', 28', 29', 30', 31', 32', 33', 34'	Height: 8', 10', 12', 14', 16', 18', 20'	Height: 8', 10', 12', 14', 15', 16', 18', 20'	Height: 8', 10', 12', 14', 16', 18', 20'	Height: 10', 12', 14', 16', 18', 20'	Height: 12', 14', 16', 18', 20', 22', 24', 26', 28'	
Thickness: 0.156", 0.188"	Thickness: 0.156", 0.188", 0.250"	Thickness: 0.125", 0.250"	Thickness: 0.208"	Thickness: 0.125", 0.188", 0.250"	Thickness: 0.125", 0.156", 0.188", 0.250"	Thickness: 0.125", 0.156", 0.250"	
★★★	★★★	★★★★	★★★★	★★★★	★★★★★	★★★★★	
11¼" (square)	12" (square)	13" (square)	11½" (square)	16" (round)	17¼" (round)	23" (round)	Base
10½"	11½"	12½"	12½"	9½"	12½"	12½"	Bolt Circle
-	-	-	LBC1, B105, B50	-	-	-	Opt. Base Covers
9.65-18.30	8.87-25.65	9.97-30.00	7.40-27.56	7.23-30.00	14.11-30.00	12.49-30.00	EPA @ 90 MPH
5.84-12.03	5.49-17.21	6.31-30.00	4.03-18.40	4.35-25.98	9.01-30.00	7.34-30.00	EPA @ 110 MPH
4.77-10.06	4.38-14.40	5.20-30.00	2.97-15.40	3.50-21.93	7.37-30.00	5.67-25.24	EPA @ 120 MPH
2.74-6.25	2.21-8.87	3.11-24.24	1.02-9.61	1.98-14.11	4.20-30.00	2.45-15.95	EPA @ 150 MPH
-	-	-	-	-	-	-	Options
Loudspeaker Outlet Photoelectric Cell Duplex Receptacle GFI	Loudspeaker Outlet Photoelectric Cell Duplex Receptacle GFI	Loudspeaker Outlet Photoelectric Cell Duplex Receptacle GFI	Loudspeaker Outlet Photoelectric Cell Duplex Receptacle GFI	Loudspeaker Outlet Photoelectric Cell Duplex Receptacle GFI	Loudspeaker Outlet Photoelectric Cell Duplex Receptacle GFI	Loudspeaker Outlet Photoelectric Cell Duplex Receptacle GFI	
-	-	-	-	-	-	-	
Banner Arm Plant Support Mid-Pole Luminaire Base Bolt Covers	Banner Arm Plant Support Mid-Pole Luminaire Base Bolt Covers	Banner Arm Plant Support Mid-Pole Luminaire Base Bolt Covers	Banner Arm Plant Support Mid-Pole Luminaire Optional Base Covers	Banner Arm Plant Support Mid-Pole Luminaire Bottleneck Base	Banner Arm Plant Support Mid-Pole Luminaire Fluted Bottleneck Base	Banner Arm Plant Support Mid-Pole Luminaire Fluted Bottleneck Base	

RAF805 Round Flute Straight	RA856 Round Straight	RTA40 Round Flute Tapered	RTA61 Round Flute Tapered	RTA608 Round Flute Tapered	RTA500 Round Flute Tapered	RTA800 Round Tapered	RTAF800 Round Flute Tapered
Diameter: 5"	Diameter: 5½"	Diameter: 5½" (tapered)	Diameter: 5"	Diameter: 8"	Diameter: 6"	Diameter: 6-4" (tapered)	Diameter: 6-4" (tapered)
Height: 8', 10', 12', 14', 15', 16', 18', 20'	Height: 8', 10', 12', 14', 16', 18', 20', 22'	Height: 10', 11', 12', 13', 14'	Height: 10', 11', 12', 13', 14', 15'	Height: 22', 24', 26', 28'	Height: 12', 14', 16', 18'	Height: 8', 10', 12', 14', 16', 18', 20'	Height: 12', 14', 16', 18'
Thickness: 0.258"	Thickness: 0.258"	Thickness: 0.125", 0.188", 0.250"	Thickness: 0.125", 0.250"	Thickness: 0.188", 0.250"	Thickness: 0.125", 0.250"	Thickness: 0.125", 0.188", 0.250"	Thickness: 0.125", 0.250"
★★★★★	★★★★★	★★★★★	★★★★★	★★★★★	★★★★★	★★★★★	
16½" (round)	16½" (round)	17" (round)	16½" (round)	24" (round)	20" (round)	16½" (round)	16½" (round)
12½"	12½"	10½"	12½"	11½"	9½"	9½"	9½"
-	-	-	-	LBC1, B105, B50	-	-	-
7.40-27.56	11.44-30.00	10.33-30.00	11.14-30.00	14.61-30.00	9.59-30.00	7.95-30.00	9.77-30.00
4.03-18.40	7.39-30.00	6.43-22.60	6.99-27.99	8.31-20.88	5.49-24.27	4.56-26.88	5.55-24.26
2.97-15.40	6.08-30.00	5.18-18.97	5.69-23.57	6.34-17.04	4.20-20.20	3.62-22.63	4.29-20.20
1.02-9.61	3.60-25.12	2.89-11.96	3.24-15.02	2.60-9.67	1.90-12.43	1.99-14.48	1.98-12.47
-	Buried Pole	-	-	-	-	-	-
Loudspeaker Outlet Photoelectric Cell Duplex Receptacle GFI	Loudspeaker Outlet Photoelectric Cell Duplex Receptacle GFI	Loudspeaker Outlet Photoelectric Cell Duplex Receptacle GFI	Loudspeaker Outlet Photoelectric Cell Duplex Receptacle GFI	Loudspeaker Outlet Photoelectric Cell Duplex Receptacle GFI	Loudspeaker Outlet Photoelectric Cell Duplex Receptacle GFI	Loudspeaker Outlet Photoelectric Cell Duplex Receptacle GFI	Loudspeaker Outlet Photoelectric Cell Duplex Receptacle GFI
-	-	-	-	-	-	-	-
Banner Arm Plant Support Mid-Pole Luminaire Bottleneck Base	Banner Arm Plant Support Mid-Pole Luminaire Fluted Bottleneck Base	Banner Arm Plant Support Mid-Pole Luminaire Decorative Flute Base	Banner Arm Plant Support Mid-Pole Luminaire Fluted Bottleneck Base	Banner Arm Plant Support Mid-Pole Luminaire Decorative Flute Base	Banner Arm Plant Support Mid-Pole Luminaire Decorative Flute Base	Banner Arm Plant Support Mid-Pole Luminaire Fluted Bottleneck Base	Banner Arm Plant Support Mid-Pole Luminaire Fluted Bottleneck Base

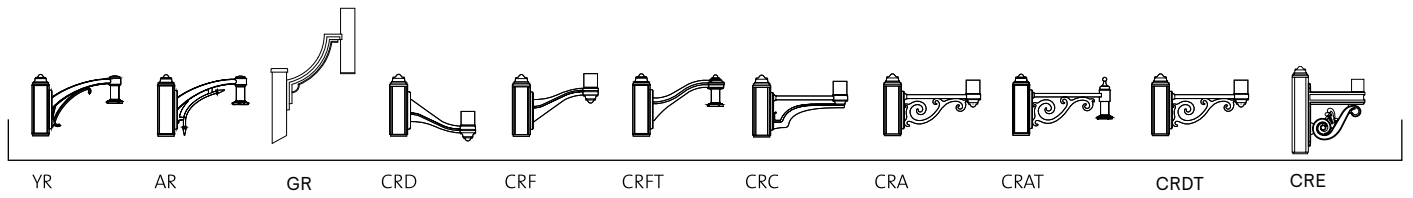
Brackets



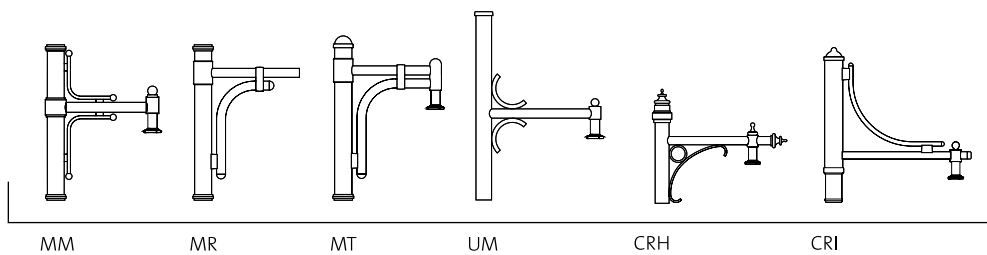
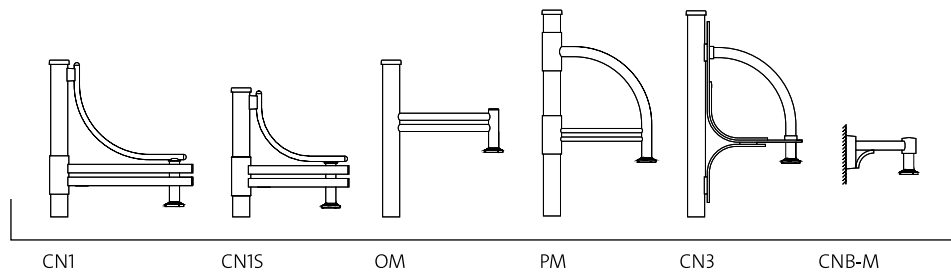
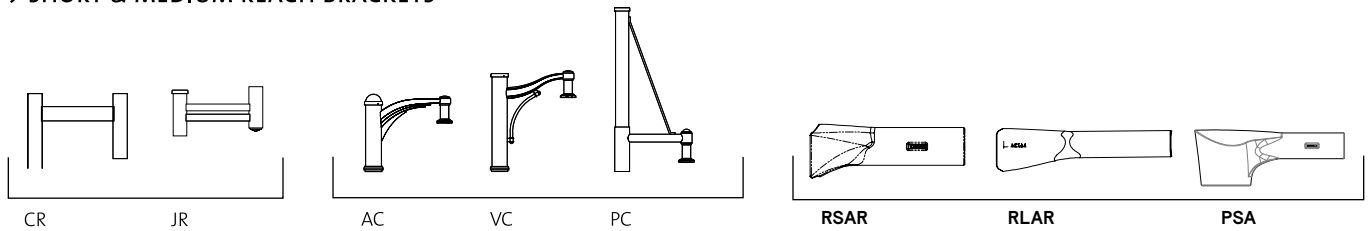
So many choices

Whether traditional or contemporary, suspended or wall-mounted, short, mid, or long-reach, these mountings can be applied in very unique ways. Lumec brackets add a flair of originality to any project, are made of high-quality materials, and are built to stand the test of time.

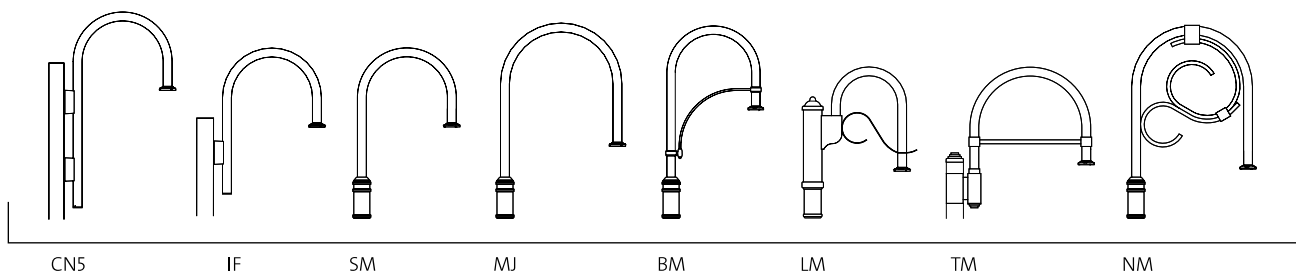
> CAST BRACKETS



> SHORT & MEDIUM REACH BRACKETS

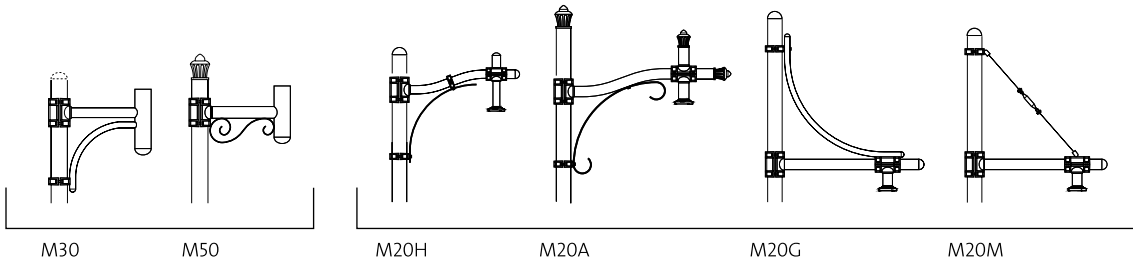


> GOOSE NECK BRACKETS

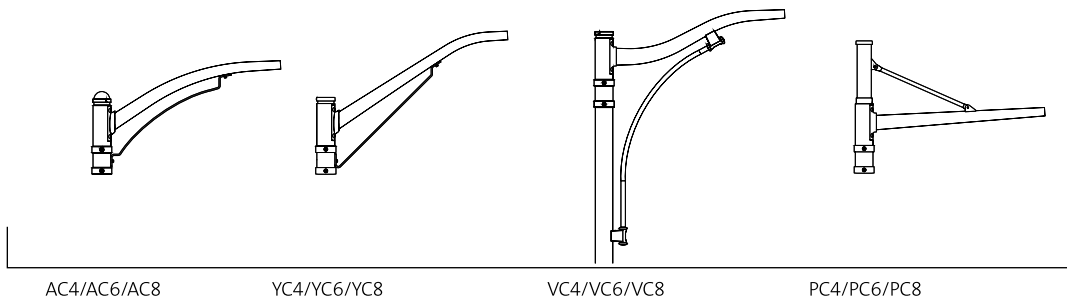
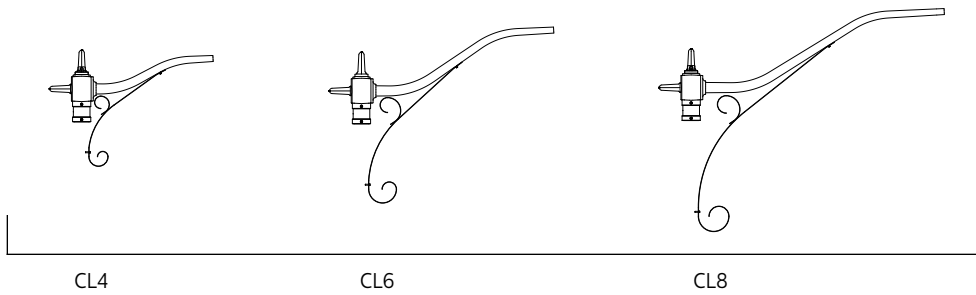
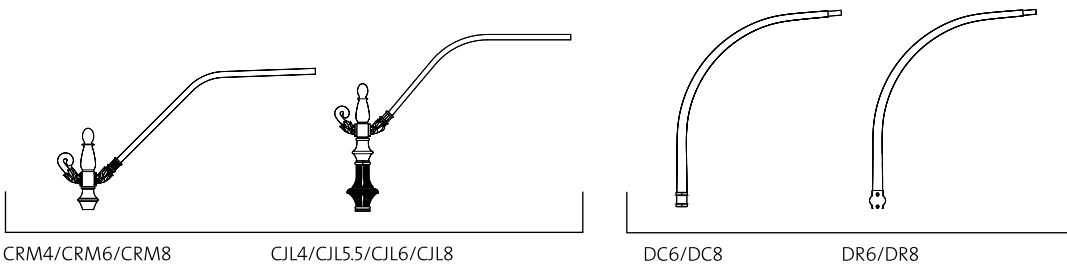


Brackets

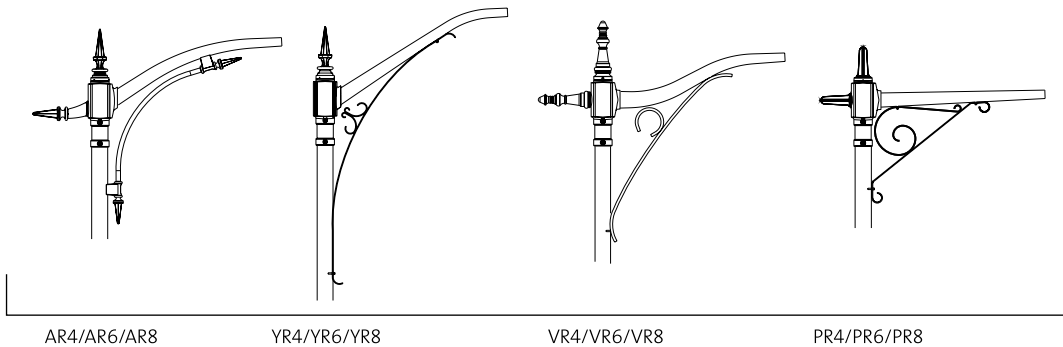
> CLAMP-ON BRACKETS



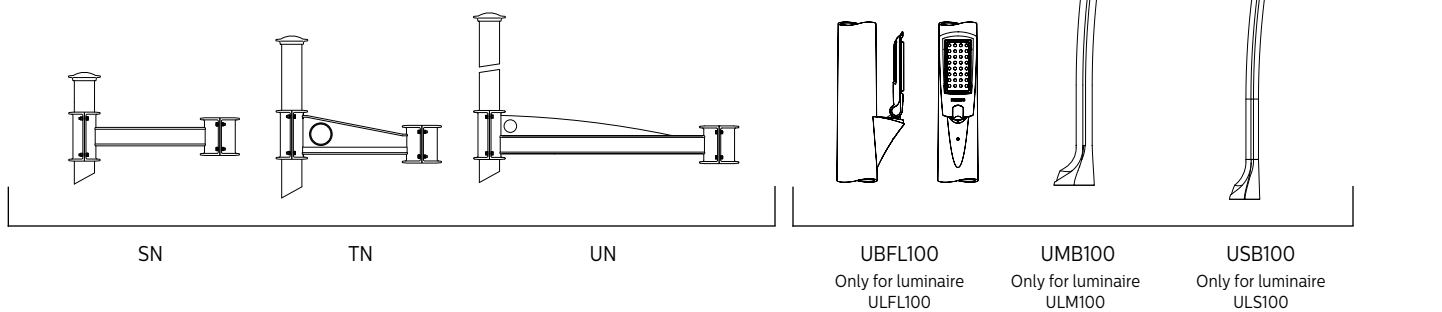
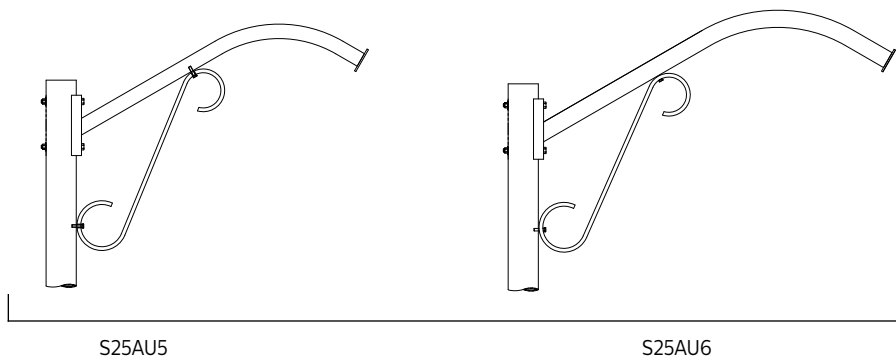
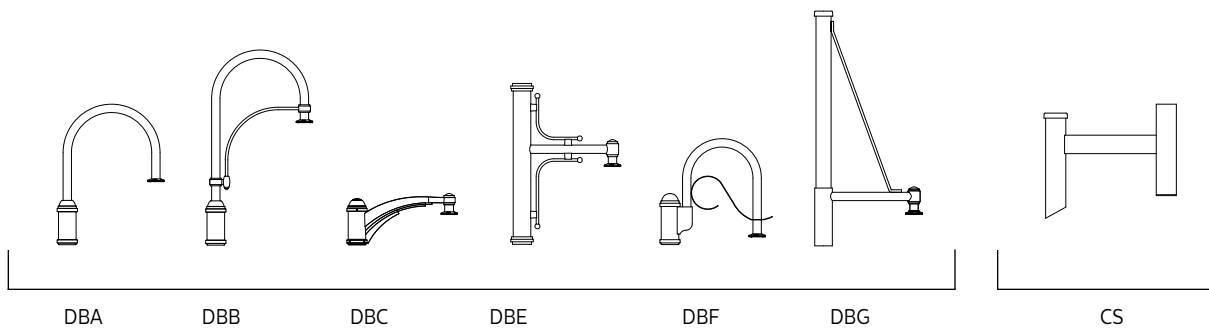
> EXTENDED REACH BRACKETS



Brackets



> LUMINAIRE COMPANION BRACKETS



Brackets matrix

For full compatibility of a complete luminaire, bracket, and pole specification refer to the [Outdoor 3D Configurator](#) available online.

Bracket Archetype and Luminaire Compatibility			Available On-Pole and Wall Mounting Configurations										
Bracket	Generic Luminaire Type or Luminaire Family	Bracket Style	1A	2 (180)	2A (90)	3 (120)	3A (Line)	3B (90)	4 (90)	5 (90)	F & 2F (Mid)	M (Wall)	MB (Wall) w/ Remote Ballast
AC	Pendants	Short Reach & Cast	●	●	●	●		●	●		●	●	
AC4	Pendants, Roadway	Extended Reach	●	●									
AC6	Pendants, Roadway	Extended Reach	●	●									
AC8	Pendants, Roadway	Extended Reach	●	●									
AR	Pendants	Cast	●	●	●			●	●		●	●	
AR4	Pendants, Roadway	Extended Reach	●	●									
AR6	Pendants, Roadway	Extended Reach	●	●									
AR8	Pendants, Roadway	Extended Reach	●	●									
BM	Pendants	Goose Neck	●	●	●							●	
CJL4	Pendants, Roadway	Extended Reach	●	●									
CJL5.5	Pendants, Roadway	Extended Reach	●	●									
CJL6	Pendants, Roadway	Extended Reach	●	●									
CJL8	Pendants, Roadway	Extended Reach	●	●									
CL4	Pendants, Roadway	Extended Reach	●	●									
CL6	Pendants, Roadway	Extended Reach	●	●									
CL8	Pendants, Roadway	Extended Reach	●	●									
CN1	Pendants	Medium Reach	●	●	●	●		●	●			●	
CN1S	Pendants	Medium Reach	●	●	●	●		●	●			●	●
CN3	Pendants	Medium Reach	●	●	●	●		●	●			●	
CN5	Pendants	Goose Neck	●	●	●	●		●	●			●	
CR	Post Top	Short Reach	●	●	●	●		●	●			●	●
CRA	Post Top	Cast	●	●	●	●	●	●	●	●	●	●	●
CRAT	Pendants	Cast	●	●	●			●	●		●	●	
CRC	Post Top	Cast	●	●	●	●	●	●	●	●	●	●	●
CRD	Post Top	Cast	●	●	●	●	●	●	●	●	●	●	●
CRDT	Pendants	Cast	●	●	●			●	●		●	●	
CRE	Post Top	Cast	●	●	●	●	●	●	●	●			●
CRF	Post Top	Cast	●	●	●	●	●	●	●	●	●	●	●
CRFT	Pendants	Cast	●	●	●			●	●		●	●	
CRH	Pendants	Medium Reach	●	●	●	●		●	●				●
CRI	Pendants	Medium Reach	●	●	●	●		●	●			●	
CRM4	Pendants, Roadway	Extended Reach	●	●									
CRM6	Pendants, Roadway	Extended Reach	●	●									
CRM8	Pendants, Roadway	Extended Reach	●	●									
■ CS	LP20 Post Top	Short Reach	●	●	●	●		●	●			●	●
■ DBA	Domus Pendant Small (DOS)	Goose Neck	●	●								●	
■ DBB	Domus Pendant Small (DOS)	Goose Neck	●	●								●	
■ DBC	Domus Pendant Small (DOS)	Cast	●	●								●	
■ DBE	Domus Pendant Small (DOS)	Medium Reach	●	●								●	
■ DBF	Domus Pendant Small (DOS)	Goose Neck	●	●								●	
■ DBG	Domus Pendant Small (DOS)	Medium Reach	●	●								●	
DC6	Pendants, Roadway	Extended Reach	●	●									
DC8	Pendants, Roadway	Extended Reach	●	●									
DR6	Pendants, Roadway	Extended Reach	●	●									
DR8	Pendants, Roadway	Extended Reach	●	●									
GR	Post Top	Short Reach	●	●		●						●	●
IF	Pendants	Goose Neck	●	●	●	●		●	●			●	
JR	Post Top	Short Reach	●	●	●	●		●	●			●	●
LM	Pendants	Goose Neck	●	●	●	●		●	●			●	
M20A	Pendants	Clamp-on	●	●								●	

● = Available

■ = Luminaire specific

Brackets matrix

Available On-Pole and Wall Mounting Configurations										Available Standard Bracket Options (Exceptions with certain configuration mixes apply)						
R3	R4	R4@4.9	RF4 (8-Flute Round)	R5	R5@6	RF5 (12-Flute Round)	R5-9/16	SQ4+	TBD	DR	GFI	PH7/V	PH8/V	RC	RCD7	LG
	●			●			●		●	●	●	●	●	●		
	●			●			●		●				●	●		
	●			●			●		●				●	●		
	●			●			●		●				●	●		
	●		●	●						●	●	●	●	●		
	●			●			●		●				●	●		
	●			●			●		●				●	●		
	●			●			●		●				●	●		
	●			●			●		●				●	●		
	●			●			●		●				●	●		
	●			●			●		●				●	●		
	●			●			●		●				●	●		
										●	●	●	●	●		
										●	●	●	●	●		
		●	●		●			●	●			●	●	●		
●													●			
●													●			
●													●			
●													●			
●													●			
●													●			
●													●			
●													●			
	●			●			●		●							
	●			●			●		●							
	●			●			●		●							
	●			●			●		●							
		●	●	●	●			●	●			●				
	●	●	●		●	●		●	●	●	●	●	●			
	●			●			●		●			●	●	●		
	●			●			●		●			●	●	●		
	●		●	●		●	●		●			●	●	●		

Brackets matrix

For full compatibility of a complete luminaire, bracket, and pole specification refer to the [Outdoor 3D Configurator](#) available online.

Bracket Archetype and Luminaire Compatibility			Available On-Pole and Wall Mounting Configurations										
Bracket	Generic Luminaire Type or Luminaire Family	Bracket Style	1A	2 (180)	2A (90)	3 (120)	3A (Line)	3B (90)	4 (90)	5 (90)	F & 2F (Mid)	M (Wall)	MB (Wall) w/ Remote Ballast
M20G	Pendants	Clamp-on	●	●								●	●
M20H	Pendants	Clamp-on	●	●								●	
M20M	Pendants	Clamp-on	●	●								●	●
M30	Post Top	Clamp-on	●	●								●	●
M50	Post Top	Clamp-on	●	●								●	●
MJ	Pendants	Goose Neck	●	●	●							●	
MM	Pendants	Medium Reach	●	●	●	●		●	●			●	
MR	Pendants, Roadway	Medium Reach	●	●	●	●		●	●			●	
MT	Pendants	Medium Reach	●	●	●	●		●	●			●	●
NM	Pendants	Goose Neck	●	●	●							●	
OM	Pendants	Medium Reach	●	●	●	●		●	●			●	●
PC	Pendants	Medium Reach	●	●	●	●		●	●		●	●	
PC4	Pendants, Roadway	Extended Reach	●	●									
PC6	Pendants, Roadway	Extended Reach	●	●									
PC8	Pendants, Roadway	Extended Reach	●	●									
PM	Pendants	Medium Reach	●	●	●	●		●	●			●	●
PR4	Pendants, Roadway	Extended Reach	●	●									
PR6	Pendants, Roadway	Extended Reach	●	●									
PR8	Pendants, Roadway	Extended Reach	●	●									
PSA2.375	Roadway	Roadway	●										
PSA3	Roadway	Roadway	●										
PSA4	Roadway	Roadway	●										
RLAR	Roadway	Roadway	●	●	●	●		●	●				
RSAR	Roadway	Roadway	●	●	●	●		●	●				
S25AU5	L40U-STM Pendant	Extended Reach	●	●									
S25AU6	L40U-STM Pendant	Extended Reach	●	●									
SAR	Capella Roadway (CPLS, CPLM)	Short Reach	●	●	●	●		●	●				
SM	Pendants	Goose Neck	●	●	●							●	
SN	Transit Pendant (TR20)	Clamp-on	●	●								●	
TM	Pendants	Goose Neck	●	●	●	●		●	●			●	●
TN	Transit Pendant (TR20)	Clamp-on	●	●								●	
UBFL100	SoleCity Mid-Pole (ULFL100)	Mid-Pole	●	●									
UBM100	SoleCity Medium (ULM100)	Extended Reach	●	●									
UBS100	SoleCity Small (ULS100)	Extended Reach	●	●									
UM	Pendants	Medium Reach	●	●	●	●		●	●			●	
UN	Transit Pendant (TR20)	Clamp-on	●	●									
VC	Pendants	Short Reach & Cast	●	●	●	●		●	●		●	●	
VC4	Pendants, Roadway	Extended Reach	●	●									
VC6	Pendants, Roadway	Extended Reach	●	●									
VC8	Pendants, Roadway	Extended Reach	●	●									
VR4	Pendants, Roadway	Extended Reach	●	●									
VR6	Pendants, Roadway	Extended Reach	●	●									
VR8	Pendants, Roadway	Extended Reach	●	●									
YC4	Pendants, Roadway	Extended Reach	●	●									
YC6	Pendants, Roadway	Extended Reach	●	●									
YC8	Pendants, Roadway	Extended Reach	●	●									
YR	Pendants	Cast	●	●	●			●	●		●	●	
YR4	Pendants, Roadway	Extended Reach	●	●									
YR6	Pendants, Roadway	Extended Reach	●	●									
YR8	Pendants, Roadway	Extended Reach	●	●									

● = Available

■ = Luminaire specific

Brackets matrix

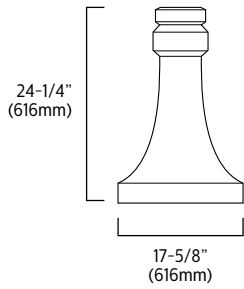
Available On-Pole and Wall Mounting Configurations										Available Standard Bracket Options (Exceptions with certain configuration mixes apply)						
R3	R4	R4@4.9	RF4 (8-Flute Round)	R5	R5@6	RF5 (12-Flute Round)	R5-9/16	SQ4+	TBD	DR	GFI	PH7/V	PH8/V	RC	RCD7	LG
	●		●	●		●	●		●							
	●		●	●		●	●		●			●				
	●		●	●		●	●		●			●				
	●		●	●		●	●		●			●				
	●		●	●		●	●		●			●				
	●			●			●		●							●
	●			●			●		●	●	●	●	●	●		
	●			●			●		●	●	●	●	●	●		
	●			●			●		●	●	●	●	●	●	●	
	●			●			●		●	●	●	●	●	●	●	
	●			●			●		●	●	●	●	●	●	●	
	●			●			●		●	●	●	●	●	●	●	
	●			●			●		●	●	●	●	●	●	●	
	●			●			●		●	●	●	●	●	●	●	
	●			●			●		●	●	●	●	●	●	●	
	●			●			●		●	●	●	●	●	●	●	
												●	●	●		
												●	●	●		
												●	●	●		
												●	●	●		
												●	●	●		
		●														
		●														
		●														
	●			●			●		●				●	●		
	●			●			●		●				●	●		
	●			●			●		●				●	●		
	●			●			●		●				●	●		
	●			●			●		●				●	●		
	●			●			●		●				●	●		
	●			●			●		●				●	●		
	●			●			●		●				●	●		
	●			●			●		●				●	●		
	●		●	●			●		●			●	●	●		
	●			●			●		●				●	●		
	●			●			●		●				●	●		
	●			●			●		●				●	●		
	●			●			●		●				●	●		
	●			●			●		●				●	●		

Options

A variety of options

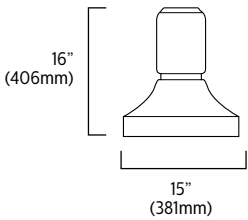
Lumec offers a variety of options to accompany your poles. Whether you need plant support, photocell, or banner arm – Lumec has a solution to customize your city.

Optional Base Covers

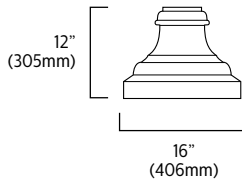


LBC1

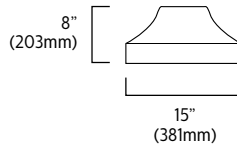
Optional Base Covers shown here are compatible with the following poles:
APR4, APR5, P135A, SPR4, SPR5



LBC2

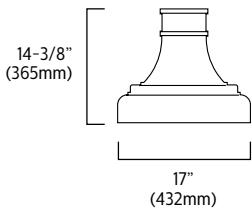


LBC4C

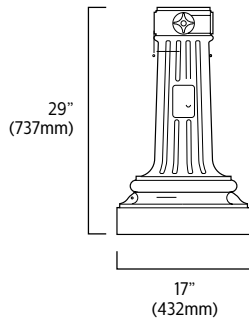


LBC4

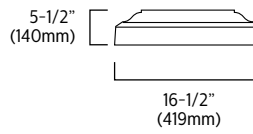
Optional Base Covers shown here are compatible with the following poles:
APR4, SPR4



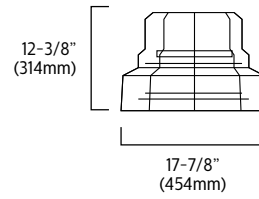
B105



B50



TBC1



TBC2

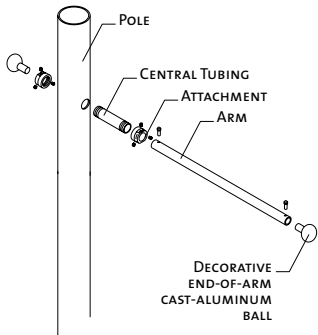
Optional Base Covers shown here are compatible with the following poles:
APR5, P135A, SPR5

Optional Base Covers shown here are compatible with the following poles:
R80, R80A

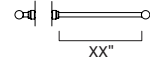
Pole Accessories and Banner Arms

BAS / BAD > BANNER ARMS

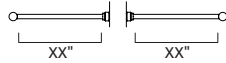
> shown here on a straight round pole



BASXX > Single banner arm

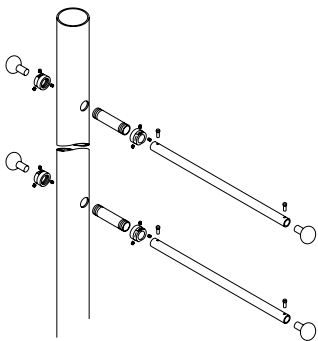


BADXX > Double banner arm

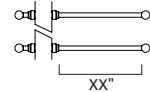


BAS(2) / BAD(2) > BANNER ARMS

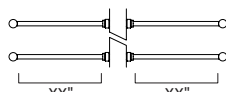
> shown here on a straight round pole



BAS(2)XX > Single banner arm

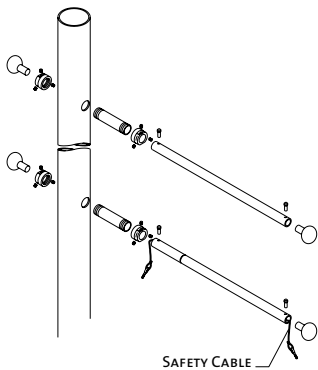


BAD(2)XX > Double banner arm

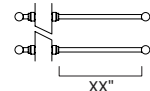


BABS(2) / BABD(2) > BREAK-AWAY BANNER ARM

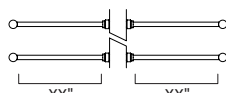
> shown here on a straight round pole



BABS(2)XX > Single banner arm

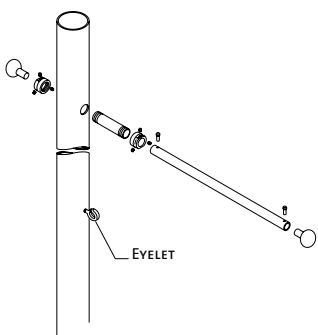


BABD(2)XX > Double banner arm

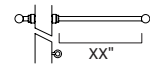


BAE > BANNER ARM WITH EYELET

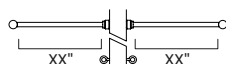
> shown here on a straight round pole



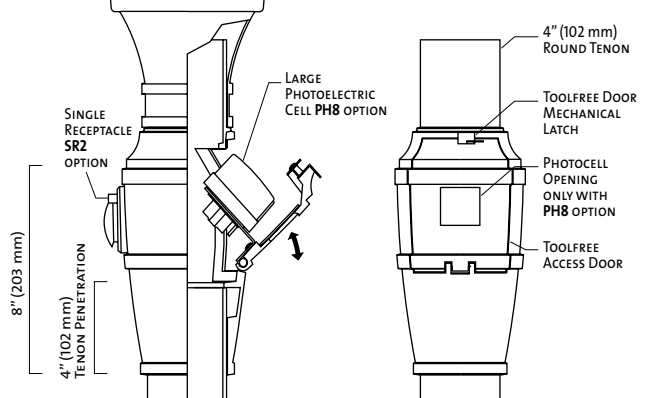
BAEXX > Single banner arm



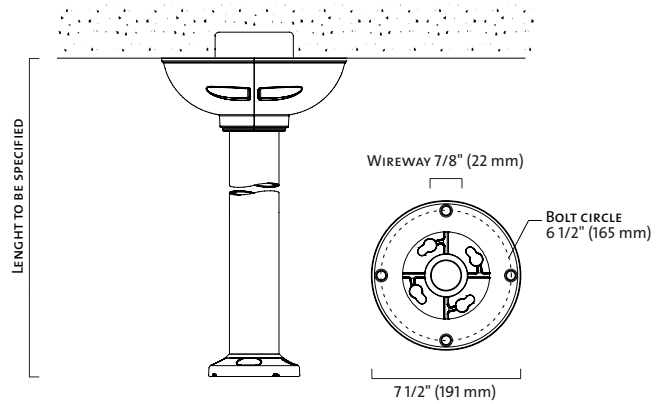
BAEXX > Double banner arm



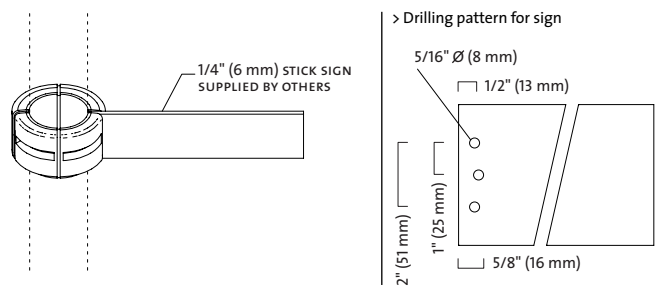
SFPH > UTILITIES FITTER



SPX > OUTDOOR CEILING LUMINAIRE SUPPORT

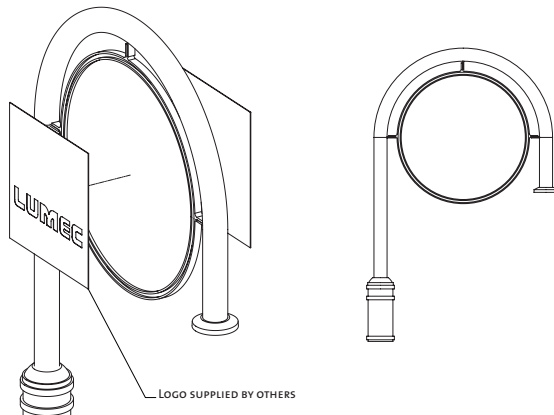


SA1 > SIGN ADAPTOR



MJ-LG > MEDAILLON TO ACCEPT LOGO

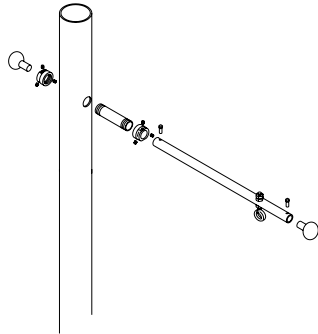
EPA: 6.4 sq.ft. Weight: 21.0 lbs. (9.5 kg)



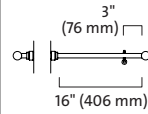
Plant Supports

PSS / PSD > PLANT SUPPORT

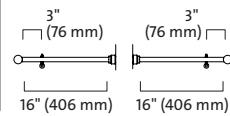
> shown here on a straight round pole



PSS > Single plant support



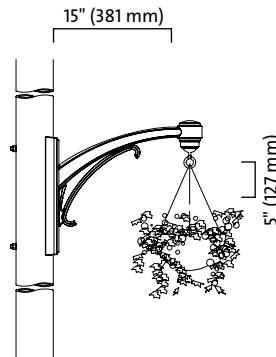
PSD > Double plant support



> Maximum weight of 100 lbs (45.4 kg) on each side.

PSYRS / PSYRD > PLANT SUPPORT

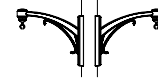
EPA: 0.5 sq.ft. Weight: 7.6 lbs. (3.5 kg)



PSYRS > Single plant support



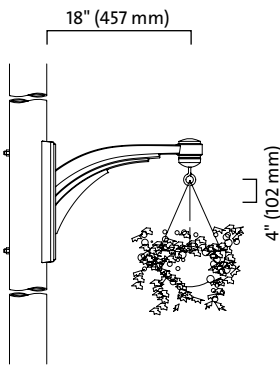
PSYRD > Double plant support



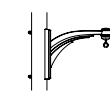
> Maximum weight of 100 lbs (45.4 kg) on each side.

PSACS / PSACD > PLANT SUPPORT

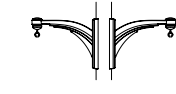
EPA: 0.6 sq.ft. Weight: 8.0 lbs. (3.6 kg)



PSACS > Single plant support



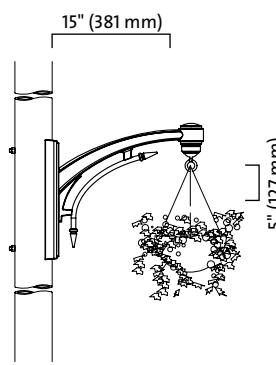
PSACD > Double plant support



> Maximum weight of 100 lbs (45.4 kg) on each side.

PSARS / PSARD > PLANT SUPPORT

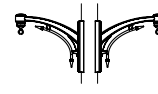
EPA: 0.5 sq.ft. Weight: 8.0 lbs. (3.6 kg)



PSARS > Single plant support



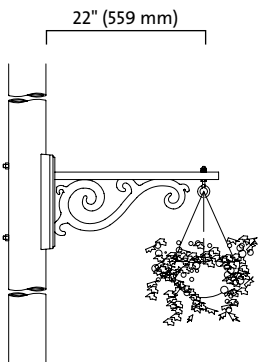
PSARD > Double plant support



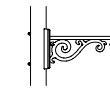
> Maximum weight of 100 lbs (45.4 kg) on each side.

PSCRAS / PSCRAD > PLANT SUPPORT

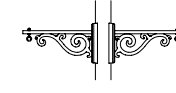
EPA: 0.5 sq.ft. Weight: 8.0 lbs. (3.6 kg)



PSCRAS > Single plant support



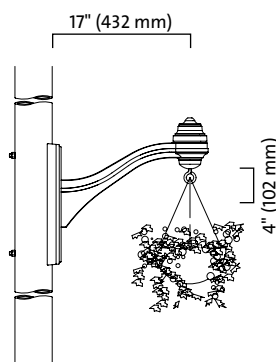
PSCRAD > Double plant support



> Maximum weight of 100 lbs (45.4 kg) on each side.

PSCRFS / PSCRFD > PLANT SUPPORT

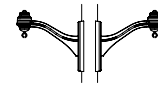
EPA: 0.6 sq.ft. Weight: 11 lbs. (5.0 kg)



PSCRFS > Single plant support



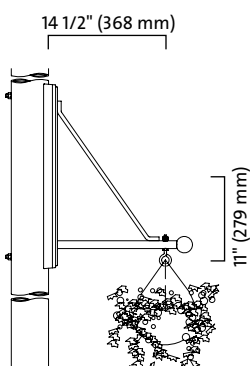
PSCRFD > Double plant support



> Maximum weight of 100 lbs (45.4 kg) on each side.

PSPCS / PSPCD > PLANT SUPPORT

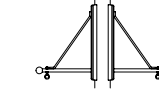
EPA: 0.4 sq.ft. Weight: 7.5 lbs. (3.4 kg)



PSPCS > Single plant support



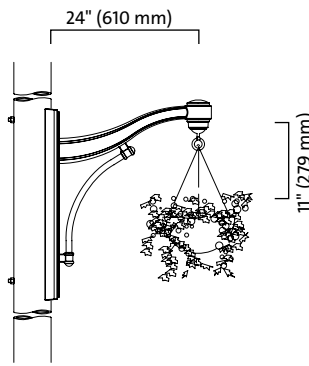
PSPCD > Double plant support



> Maximum weight of 100 lbs (45.4 kg) on each side.

PSVCS / PSVCD > PLANT SUPPORT

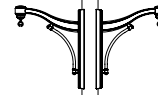
EPA: 0.6 sq.ft. Weight: 9.6 lbs. (4.4 kg)



PSVCS > Single plant support



PSVCD > Double plant support



> Maximum weight of 100 lbs (45.4 kg) on each side.

Our quality finishing techniques provide premium protection for your poles and brackets

Available in Textured and Smooth finishes



WHTX
White



GY3TX
Medium Grey



BKTX
Black



BE8TX
Royal Blue



BE6TX
Ocean Blue



BE2TX
Midnight Blue



RD4TX
Scarlet



RD2TX
Burgundy



GNTX
Green



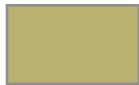
GN4TX
Blue Green



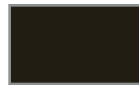
GN6TX
Forest Green



GN8TX
Dark Forest Green



BG2TX
Sandstone

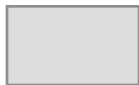


BRTX
Bronze

Available in a variety of standard colors and finishes to suit your needs

These colors are available in smooth finishes (to order remove TX from code). Due to the porous nature of castings, a smooth finish may present minor imperfections. Textured finishes conceal pores and provide a more uniform finish.

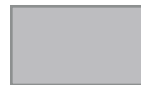
Textured only



TS
Hammerstone Silver



TG
Hammerstone Gold



NP
Natural Aluminum

Smooth only

Special colors

SCL Special Color (liquid)
SCP Special Color (powder)

It is now possible to order smaller quantities of powder paint for a premium. Your representative can advise you if a powder coat paint can be developed for your project.



Custom colors

We support custom color options to the ultimate in color matching opportunities with your site lighting needs.



Lumital™ surface treatment for aluminum and steel

The preparation of aluminum and steel surfaces involves a six-step treatment process.

- 1. Alkaline cleaner:** Each part is submerged in an alkaline solution to rid surfaces (inside and out) of grease and impurities.
- 2. Clear water rinse:** After a hot wash cycle, the parts are submerged and rinsed to eliminate any remaining trace of the cleaner.
- 3. Citric Acid:** The parts are submerged in a citric acid solution for etching. This serves two purposes; it eliminates rust (inside and out) and provides surfaces with the required coarseness for adhesion of the Lumiseal™ (aluminum) or zinc phosphate (steel) treatment to the polyester powder coat.
- 4. Clear water rinse:** After the etching cycle, the parts are submerged and rinsed to eliminate any remaining trace of citric acid.
- 5. Lumiseal™ (aluminum):** The parts are pre-treated and sealed in a one-step operation. The applied chemicals react with the paint film, creating a continuous barrier between paint and the metal substrate, thus providing superior corrosion-protection and adhesive. **Zinc phosphate (steel):** The parts are submerged in a zinc phosphate solution, leaving a 20 g/m² layer of crystallized layer on the surface of the product. The self-healing feature of this layer will prevent corrosion, should the surface finish be damaged.
- 6. Clear water rinse:** After the pre-treatment, the parts are submerged and rinsed.

Explore a world of design combinations with Lumec poles and brackets

Call your Signify Sales Representative today for a product demo.

Visit www.lumec.com to learn more about what our poles have to offer.



© 2021 Signify Holding. All rights reserved. The information provided herein is subject to change, without notice. Signify does not give any representation or warranty as to the accuracy or completeness of the information included herein and shall not be liable for any action in reliance thereon. The information presented in this document is not intended as any commercial offer and does not form part of any quotation or contract, unless otherwise agreed by Signify.

Signify North America Corporation
400 Crossing Blvd, Suite 600
Bridgewater, NJ 08807
Telephone: 855-486-2216

Signify Canada Ltd.
281 Hillmount Road,
Markham, ON, Canada L6C 2S3
Telephone 800-668-9008

All trademarks are owned by Signify Holding or their respective owners.