



Lumec Square Lantern LED post top luminaires draw on the designs of yesteryear in order to evoke a feeling of harmony and warmth in any project. This series is another example of how Lumec melds feelings of old-time luminaires with modern lighting techniques and technology. It can complement many settings thanks to its two sizes and its internal components assure long life, reliability, and durability. The blend of form and function makes the Square Lantern luminaires an excellent choice for older neighborhoods or contemporary environments.

Project: _____
 Location: _____
 Cat.No: _____
 Type: _____
 Lamps: _____ Qty: _____
 Notes: _____

Ordering guide

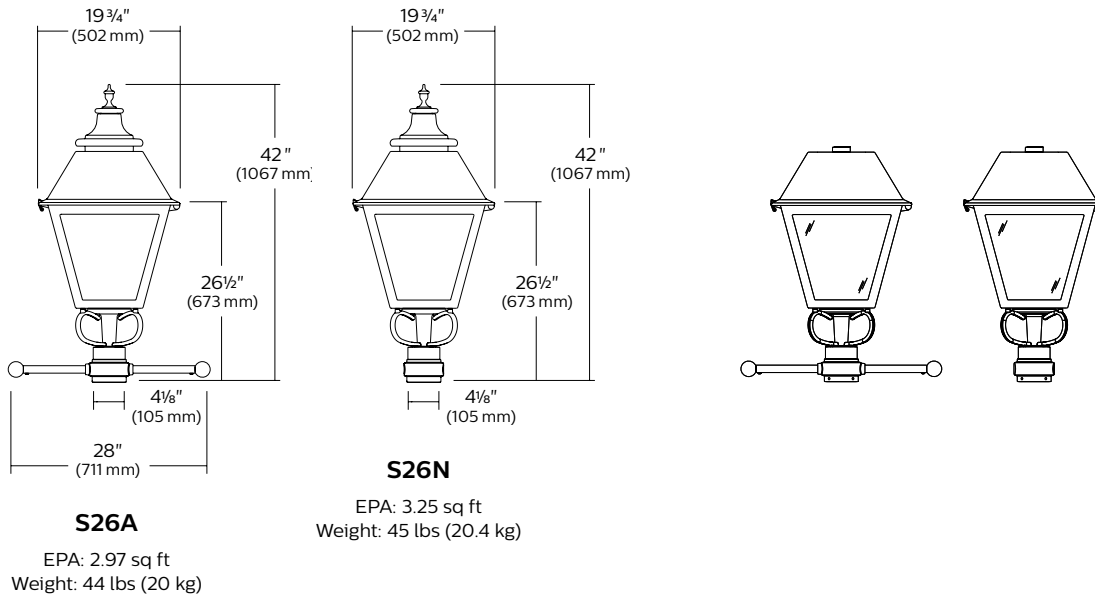
example: S26A-72W32LED4K-G3-ACDR-C-LE3-120-DMG-HS-GN8TX

Series	LED module	Gen.	Globe material	Globe finish	Optical system	Voltage	Driver options	Luminaire options	Poles / Brackets	Finish
		G3								
S26A	3000K	G3	ACDR	C	LE2	120	AST³	HS	Consult with signify.com/outdoorluminaires for details and the complete line of Signify poles and brackets.	Textured
S26N	35W32LED3K 55W32LED3K 55W48LED3K 72W32LED3K 80W48LED3K 108W48LED3K 4000K 35W32LED4K 55W32LED4K 55W48LED4K 72W32LED4K 80W48LED4K 108W48LED4K	Gen 3	Acrylic Globe PC Poly-carbonate	Clear Globe CS¹ Satin Clear Globe	Type II (ASYM) LE3 Type III (ASYM) LE4 Type IV (ASYM) LE5² Type V (SYM)	208 240 277 347 480	Pre-set driver for progressive start-up CDMGE25³ (2) 8 hrs. 25% reduction CDMGE50³ (2) 8 hrs. 50% reduction CDMGE75³ (2) 8 hrs. 75% reduction CDMGM25³ (2) 6 hrs. 25% reduction CDMGM50³ (2) 6 hrs. 50% reduction CDMGM75³ (2) 6 hrs. 75% reduction CDMGS25³ (2) 4 hrs. 25% reduction CDMGS50³ (2) 4 hrs. 50% reduction CDMGS75³ (2) 4 hrs. 75% reduction WC Without Cupola CLO³ Pre-set driver to manage lumen depreciation DMG 0-10V OTL³ Pre-set driver to signal end of life of the lamp SRD¹ Sensor ready driver (standard configuration) SRD1¹ Sensor ready driver (alternate configuration)	House Side Shield PH7⁴ Photoelectric cell bottom type RCD7⁵ Receptacle 7-pin SP2 20kV/20kA surge protector TN2.875C 2 7/8" dia. Tenon adaptor TN3 3" dia. Tenon adaptor TN3.5 3 1/2" dia. Tenon adaptor		BE2TX Midnight Blue BE6TX Ocean Blue BE8TX Royal Blue BG2TX Sandstone BKTX Black BRTX Bronze GN4TX Blue Green GN6TX Forest Green GN8TX Dark Forest Green GNTX Green GY3TX Medium Grey RD2TX Burgundy RD4TX Scarlet WHTX White Other GR Gray Sandtex NP Natural Aluminum TG Hammetone Gold

1. Only available in Polycarbonate.
 2. Not available with HS option.
 3. Not available 347-480 volt.
 4. Not available with WC option.
 5. If RCD7 is required you need to select WC without cupola. The RCD7 is located on top of the roof in place of the cupola for use with a control node.

S26A-S26N Square Lantern LED Post Top Urban Luminaire

Dimensions



LED Wattage and Lumen Values: for S26A / S26N with Clear Globe

Ordering Code: Clear Globe (3000K)	Total LEDs	LED current (mA)	Average System Wattage ¹ (W)	LE2			LE3			LE4			LE5		
				Lumen Output ²	BUG Rating	Efficacy (LPW)	Lumen Output ²	Efficacy (LPW)	BUG Rating	Lumen Output ²	Efficacy (LPW)	BUG Rating	Lumen Output ²	Efficacy (LPW)	BUG Rating
35W32LED3K-G3-C-x	32	350	37	3876	B1-U3-G1	105	3859	B1-U3-G1	104	3769	B1-U3-G1	102	3870	B3-U3-G1	105
55W32LED3K-G3-C-x	32	530	54	5560	B1-U3-G1	103	5536	B1-U3-G1	103	5406	B1-U3-G2	100	5552	B3-U3-G1	103
72W32LED3K-G3-C-x	32	700	73	7011	B2-U3-G2	96	6981	B1-U3-G2	96	6818	B1-U3-G2	93	7002	B3-U3-G2	96
55W48LED3K-G3-C-x	48	350	55	5813	B1-U3-G1	105	5789	B1-U3-G1	105	5653	B1-U3-G2	103	5805	B3-U3-G1	105
80W48LED3K-G3-C-x	48	530	81	8339	B2-U3-G2	103	8304	B2-U3-G2	103	8108	B1-U3-G2	101	8327	B3-U3-G2	103
108W48LED3K-G3-C-x	48	700	106	10516	B2-U3-G2	99	10473	B2-U3-G2	99	10227	B2-U3-G2	96	10502	B4-U3-G2	99

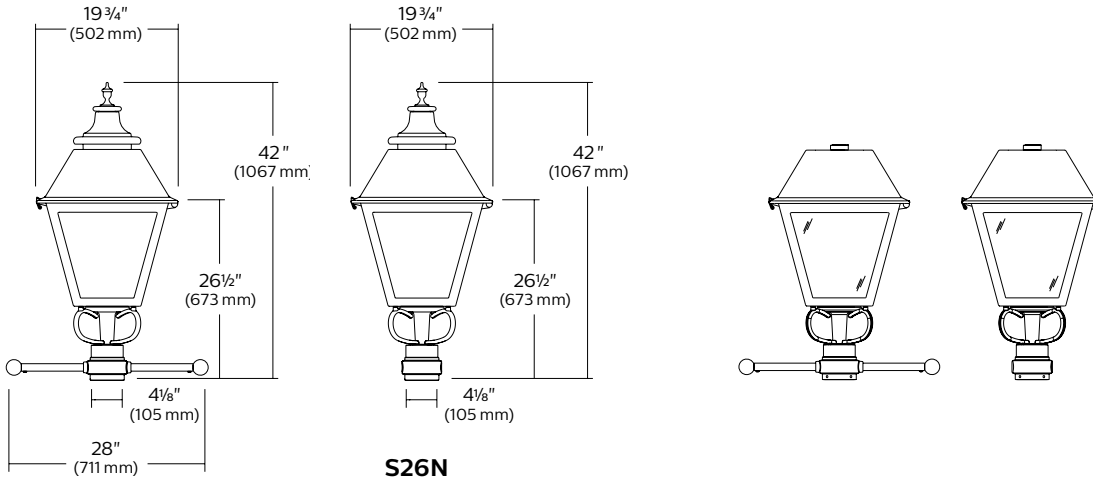
Ordering Code: Clear Globe (4000K)	Total LEDs	LED current (mA)	Average System Wattage ¹ (W)	LE2			LE3			LE4			LE5		
				Lumen Output ²	BUG Rating	Efficacy (LPW)	Lumen Output ²	Efficacy (LPW)	BUG Rating	Lumen Output ²	Efficacy (LPW)	BUG Rating	Lumen Output ²	Efficacy (LPW)	BUG Rating
35W32LED4K-G3-C-x	32	350	37	4302	B1-U3-G1	116	4284	B1-U3-G1	116	4183	B1-U3-G1	113	4296	B3-U3-G1	116
55W32LED4K-G3-C-x	32	530	54	6171	B1-U3-G1	114	6145	B1-U3-G2	114	6000	B1-U3-G2	111	6162	B3-U3-G1	114
72W32LED4K-G3-C-x	32	700	73	7782	B2-U3-G2	107	7750	B2-U3-G2	106	7568	B1-U3-G2	104	7771	B3-U3-G2	106
55W48LED4K-G3-C-x	48	350	55	6453	B1-U3-G1	117	6426	B1-U3-G2	117	6275	B1-U3-G2	114	6444	B3-U3-G2	117
80W48LED4K-G3-C-x	48	530	81	9256	B2-U3-G2	115	9217	B2-U3-G2	114	9001	B2-U3-G2	112	9243	B4-U3-G2	115
108W48LED4K-G3-C-x	48	700	106	11674	B2-U3-G2	110	11625	B2-U3-G2	110	11352	B2-U3-G2	107	11657	B4-U3-G2	110

Actual performance may vary due to installation variables including optics, mounting/ceiling height, dirt depreciation, light loss factor, etc.; highly recommended to confirm performance with a layout - contact Applications at signify.com/outdoorluminaires.
Note: Some data may be scaled based on tests on similar but not identical luminaires.

S26A-S26N Square Lantern LED Post Top

Urban Luminaire

Dimensions



S26A

EPA: 2.97 sq ft
Weight: 44 lbs (20 kg)

S26N

EPA: 3.25 sq ft
Weight: 45 lbs (20.4 kg)

LED Wattage and Lumen Values: for S26A / S26N with Clear Satin Globe

Ordering Code: Clear Satin Globe (3000K)	Total LEDs	LED current (mA)	Average System Wattage ¹ (W)	LE2			LE3			LE4			LE5		
				Lumen Output ²	BUG Rating	Efficacy (LPW)	Lumen Output ²	Efficacy (LPW)	BUG Rating	Lumen Output ²	Efficacy (LPW)	BUG Rating	Lumen Output ²	Efficacy (LPW)	BUG Rating
35W32LED3K-G3-CS-x	32	350	37	3509	B1-U3-G1	95	3555	B1-U3-G1	96	3413	B1-U3-G1	92	3677	B2-U3-G1	99
55W32LED3K-G3-CS-x	32	530	54	5034	B1-U3-G2	93	5100	B1-U3-G2	94	4896	B1-U3-G2	91	5274	B3-U3-G2	98
72W32LED3K-G3-CS-x	32	700	73	6349	B2-U3-G2	87	6432	B1-U3-G2	88	6175	B1-U3-G2	85	6652	B3-U3-G2	91
55W48LED3K-G3-CS-x	48	350	55	5264	B1-U3-G2	96	5333	B1-U3-G2	97	5120	B1-U3-G2	93	5515	B3-U3-G2	100
80W48LED3K-G3-CS-x	48	530	81	7551	B2-U3-G2	94	7650	B2-U3-G2	95	7345	B1-U3-G2	91	7913	B3-U3-G2	98
108W48LED3K-G3-CS-x	48	700	106	9523	B2-U3-G2	90	9648	B2-U3-G3	91	9262	B2-U3-G3	87	9979	B4-U3-G3	94

Ordering Code: Clear Satin Globe (4000K)	Total LEDs	LED current (mA)	Average System Wattage ¹ (W)	LE2			LE3			LE4			LE5		
				Lumen Output ²	BUG Rating	Efficacy (LPW)	Lumen Output ²	Efficacy (LPW)	BUG Rating	Lumen Output ²	Efficacy (LPW)	BUG Rating	Lumen Output ²	Efficacy (LPW)	BUG Rating
35W32LED4K-G3-CS-x	32	350	37	3895	B1-U3-G1	105	3947	B1-U3-G1	107	3789	B1-U3-G1	102	4082	B3-U3-G1	110
55W32LED4K-G3-CS-x	32	530	54	5587	B1-U3-G2	103	5661	B1-U3-G2	105	5435	B1-U3-G2	101	5855	B3-U3-G2	108
72W32LED4K-G3-CS-x	32	700	73	7047	B2-U3-G2	97	7140	B2-U3-G2	98	6854	B1-U3-G2	94	7384	B3-U3-G2	101
55W48LED4K-G3-CS-x	48	350	55	5843	B1-U3-G2	106	5920	B1-U3-G2	107	5683	B1-U3-G2	103	6123	B3-U3-G2	111
80W48LED4K-G3-CS-x	48	530	81	8381	B2-U3-G2	104	8492	B2-U3-G2	105	8152	B2-U3-G2	101	8782	B3-U3-G2	109
108W48LED4K-G3-CS-x	48	700	106	10570	B2-U3-G2	100	10710	B2-U3-G3	101	10281	B2-U3-G3	97	11076	B4-U3-G3	104

Actual performance may vary due to installation variables including optics, mounting/ceiling height, dirt depreciation, light loss factor, etc.; highly recommended to confirm performance with a layout - contact Applications at signify.com/outdoorluminaires.

Note: Some data may be scaled based on tests on similar but not identical luminaires.

S26A-S26N Square Lantern LED Post Top

Urban Luminaire

Specifications (continued)

Driver options

AST: Pre-set driver for progressive start-up of the LED module(s) to optimize energy management and enhance visual comfort at start-up.

CLO: Pre-set driver to manage the lumen depreciation by adjusting the power given to the LEDs offering the same lighting intensity during the entire lifespan of the LED module.

OTL: Pre-set driver to signal end of life of the LED module(s) for better fixture management.

DMG: Dimmable driver 0-10V.

CDMG: Dynadimmer standard dimming functionalities including pre-programmed scenarios to suit many applications and needs from safety to maximum energy savings.

* Contact factory for DALI options.

Order Code	Dimming		
	Scenario	Duration	Level
CDMGS25	Safety	4 hours	25%
CDMGS50	Safety	4 hours	50%
CDMGS75	Safety	4 hours	75%
CDMGM25	Median	6 hours	25%
CDMGM50	Median	6 hours	50%
CDMGM75	Median	6 hours	75%
CDMGE25	Economy	8 hours	25%
CDMGE50	Economy	8 hours	50%
CDMGE75	Economy	8 hours	75%

SRD: Sensor Ready Driver including SR communication (used for dimming and other functionalities), 24V auxiliary supply and a logical signal input (LSI) connected to the top NEMA twist lock receptacle.

SRD1: Sensor Ready Driver including SR communication (used for dimming and other functionalities) but with 24V auxiliary supply and a logical signal input (LSI) not connected to the top NEMA twist lock.

LED Performance

Predicted lumen depreciation data ¹				
Ambient Temperature (°C)	Driver mA	Calculated L ₇₀ hours ^{1,2}	L ₇₀ per TM-21 ^{2,3}	Lumen Maintenance % @ 60,000 hours
25°C	700 mA	>100,000	>60,000	86%

1. Predicted performance derived from LED manufacturer's data and engineering design estimates, based on IESNA LM-80 methodology. Actual experience may vary due to field application conditions.
2. L₇₀ is the predicted time when LED performance depreciates to 70% of initial lumen output.
3. Calculated per IESNA TM21-11. Published L₇₀ hours limited to 6 times actual LED test hours.

Surge protector

Surge protector tested in accordance with ANSI/IEEE C62.45 per ANSI/IEEE C62.41.2 Scenario I Category C High Exposure 10kV/10kA waveforms for Line Ground, Line Neutral and Neutral Ground, and in accordance with U.S. DOE (Department of Energy) MSSLC (Municipal Solid State Street Lighting Consortium) model specification for LED roadway luminaires electrical immunity requirements for High Test Level 10kV / 10kA. SP2 20kV/20kA optional.

Luminaire options



HS
House side shield

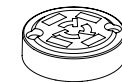


LF
Lily-flower decorative cap

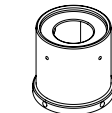
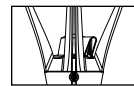
PH7 Photoelectric cell button type

SP2 20kV/20kA integral surge protector (optional)

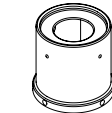
WC Without Cupola



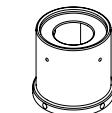
RCD7
Receptacle 7-pins



TN2.875C
2-7/8" dia. tenon adaptor



TN3
3" dia. tenon adaptor



TN3.5
3-1/2" dia. tenon adaptor

Finish

In accordance with the AAMA 2603 standard. Application of polyester powder coat paint (4 mils/100 microns) with +/- 1 mils/24 microns of tolerance. The Thermosetting resins provides a discoloration resistant finish in accordance with the ASTM D2244 standard, as well as luster retention in keeping with the ASTM D523 standard and humidity proof in accordance with the ASTM D2247 standard. The surface treatment achieves a minimum of 2000 hours for salt spray resistant finish in accordance with testing performed and per ASTM B117 standard.

Textured Finish Options:

- BE2TX:** Textured Midnight Blue
- BE6TX:** Textured Ocean Blue
- BE8TX:** Textured Royal Blue
- BG2TX:** Textured Sandstone
- BKTX:** Textured Black
- BRTX:** Textured Bronze
- GN4TX:** Textured Blue Green
- GN6TX:** Textured Forest Green
- GN8TX:** Textured Dark Forest Green
- GNTX:** Textured Green
- GY3TX:** Textured Medium Grey
- RD2TX:** Textured Burgundy
- RD4TX:** Textured Scarlet
- WHTX:** Textured White

Non-Textured Finish Options:

- GR:** Gray Sandtex
- NP:** Natural Aluminum
- TG:** Hammer-tone Gold

Luminaire useful life

Refer to IES files for energy consumption and delivered lumens for each option. Based on ISTMT in situ thermal testing in accordance with UL1598 and UL8750, using LM-80 data from LED manufacturers and engineering prediction methods, the luminaire useful life is expected to reach 100,000+ hours with >L70 lumen maintenance @ 25°C. Luminaire Useful Life accounts for LED lumen maintenance AND all of these additional factors including: LED life, driver life, PCB substrate, solder joints, on/off cycles, burning hours and corrosion. Entire luminaire is rated for operation in ambient temperature of -40°C / -40°F up to +35°C / +95°F.

S26A-S26N Square Lantern LED Post Top

Urban Luminaire

Specifications (continued)

Hardware

All exposed screws shall be complete with Ceramic primer-seal base coat to reduce seizing of the parts and offers a high resistance to corrosion. All seals and sealing devices are made and/or lined with EPDM and/or silicone and/or rubber.

Wiring

Gauge (#14) TEW/AWM 1015 or 1230 wires, 6" (152mm) minimum exceeding from luminaire.

Quality control

Manufactured to ISO 9001 2008 standards and ISO 14001-2004 International Quality Standards Certification.

LED products (manufacturing standard)

The electronic components sensitive to electrostatic discharge (ESD) such as light emitting diodes (LEDs) are assembled in compliance with IEC61340 5 1 and ANSI/ESD S20.20 standards so as to eliminate ESD events that could decrease the useful life of the product.

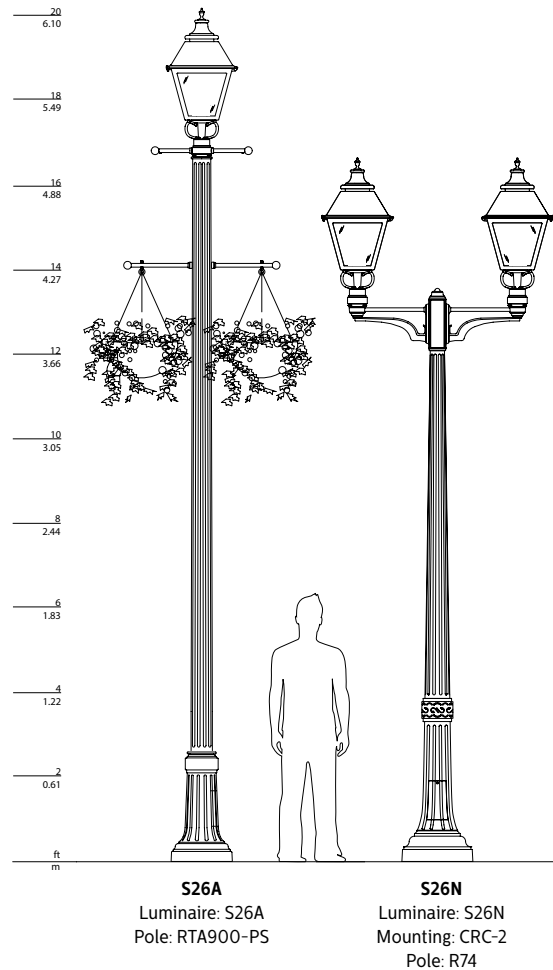
Quality control

Manufactured to ISO 9001 2008 standards and ISO 14001-2004 International Quality Standards Certification.

Certifications and Compliance

CSA, cULus Listed for Canada and USA.
Luminaires are DesignLights Consortium qualified.

Poles



Consult signify.com/outdoorluminaires for details and the complete line of Signify poles and brackets.



© 2020 Signify Holding. All rights reserved. The information provided herein is subject to change, without notice. Signify does not give any representation or warranty as to the accuracy or completeness of the information included herein and shall not be liable for any action in reliance thereon. The information presented in this document is not intended as any commercial offer and does not form part of any quotation or contract, unless otherwise agreed by Signify.

Signify North America Corporation
200 Franklin Square Drive,
Somerset, NJ 08873
Telephone 855-486-2216

Signify Canada Ltd.
281 Hillmount Road,
Markham, ON, Canada L6C 2S3
Telephone 800-668-9008

All trademarks are owned by Signify Holding or their respective owners.