

The Gardco TRA Tapered Round Aluminum pole consists of a one-piece design fabricated aluminum tubing circumferentially welded to a structural quality hot rolled carbon steel plate. The poles are finished with either Architectural Class 1 anodizing or electrostatically applied TGIC polyester powdercoat.

Project: _____
 Location: _____
 Cat.No: _____
 Type: _____
 Notes: _____

Ordering Guide

example: TRA-CB-16L-D2-BRP

Prefix	Base	Height	Wind Factor	Drilling ¹	Finish	Options
TRA						
TRA	CB	8 10 12 14 16 25 28 30 35	- - L	D1 1 Way D2 2 Way at 180° D2@90 2 Way at 90° D3 3 Way at 90° D3@120 3 Way at 120° D4 4 Way T2 2.4" OD Tenon X 4" long T3 3" OD Tenon X 4" long T4 4" OD Tenon X 6" long P Plain Top (No Drilling/No Tenon)	BRP Bronze BLP Black WP White MGY Medium Grey DGY Dark Grey BRA Bronze Anodized BLA Black Anodized NA Natural Anodized OC Optional Color (Specify RAL designation ex: RAL7024) SC Special Color (Specify. Must supply color chip.)	DR Duplex Receptacle GFCI Ground Fault Receptacle VDA Vibration Dampener AHH Additional Hand Hole For DR, GFCI, and AHH options indicate height above base and orientation to original hand hole. See Pole Orientation Information on Page 5. Nipples and Couplings CL1/2 Coupling - Internal Thread 1/2" CL3/4 Coupling - Internal Thread 3/4" CL1 Coupling - Internal Thread 1" CL1-1/4 Coupling - Internal Thread 1-1/4" CL1-1/2 Coupling - Internal Thread 1-1/2" NL1/2 Nipple - External Thread 1/2" NL3/4 Nipple - External Thread 3/4" NL1 Nipple - External Thread 1" NL1-1/4 Nipple - External Thread 1-1/4" NL1-1/2 Nipple - External Thread 1-1/2" Indicate height above base and orientation to hand hole. See Pole Orientation Information on Page 5. Single Mount Bullhorn Brackets A15BH-19 Single - 1.9" OD ² A15BH-24 Single - 2.4" OD A215BH-19 2-Tenon - 1.9" OD ² A215BH-24 2-Tenon - 2.4" OD Indicate height above base and orientation to hand hole. See Pole Orientation Information on Page 4. Additional and alternative brackets and accessories available. Refer to the Signify product catalog (eCat) website for more information.
		12 14 16 20	M			
		20 25 28 30 35 39	H			

- Standard poles are drilled in factory for compatibility with Signify luminaires only (D* options). For non-Signify-brand luminaires, select the P drilling option.
- For Gardco DFL7/DFC7 only

Anchor Bolts for Gardco TRA Poles³ (ordered separately)

	Pole Type	12NC for ordering	Description (in inches)
For Pre-ship service (Order 4 per pole)	8 to 25L	912400215786	0.75 x 18 x 3.75
	25H to 39H	912400215784	1 x 36 x 4.5
For shipment with the pole (Order 1 per pole)	8 to 25L	912400207384	0.75 x 18 x 3.75
	25H to 39H	912400200208	1 x 36 x 4.5

- Consult Signify to confirm whether specific accessories are BAA-compliant.

Poles Tapered Round Aluminum (Cast Base)

Pole Data

Product Catalog Number	Pole Specs				Anchor Bolt Data ²		
	Height (ft)	Pole Diameter (inches)	Wall Thickness (inches)	Structure Weight (lbs)	Bolt Circle (inches)	Bolt Size (inches)	Max Proj. (inches)
TRA-CB-8	7' 8"	3 x 4	0.125	17	7.50 (+/- 0.75)	0.75 x 18 x 3.75	3.25
TRA-CB-10	9' 8"	3 x 4	0.125	20	7.50 (+/- 0.75)	0.75 x 18 x 3.75	3.25
TRA-CB-12L	11' 8"	3 x 4	0.125	23	7.50 (+/- 0.75)	0.75 x 18 x 3.75	3.25
TRA-CB-12M	11' 8"	3 x 5	0.125	26	8.63 (+/- 0.88)	0.75 x 18 x 3.75	3.25
TRA-CB-14L	13' 8"	3 x 4	0.125	27	7.50 (+/- 0.75)	0.75 x 18 x 3.75	3.25
TRA-CB-14M	13' 8"	3 x 5	0.125	31	8.63 (+/- 0.88)	0.75 x 18 x 3.75	3.25
TRA-CB-16L	15' 8"	3 x 5	0.125	30	8.63 (+/- 0.88)	0.75 x 18 x 3.75	3.25
TRA-CB-16M	15' 8"	3 x 5	0.188	35	8.63 (+/- 0.88)	0.75 x 18 x 3.75	3.25
TRA-CB-20M	19' 8"	3 x 5	0.156	51	8.63 (+/- 0.88)	0.75 x 18 x 3.75	3.25
TRA-CB-20H	19' 8"	3 x 5	0.188	60	8.63 (+/- 0.88)	0.75 x 18 x 3.75	3.25
TRA-CB-25L ³	24' 8"	4 x 6	0.156	74	8.63 (+/- 0.88)	0.75 x 18 x 3.75	3.50
TRA-CB-25H	24' 8"	4 x 7	0.156	85	9.50 (+/- 0.75)	1 x 36 x 4.5	4.13
TRA-CB-28L ³	27' 8"	4 x 7	0.156	92	10.56 (+/- 0.43)	1 x 36 x 4.5	4.13
TRA-CB-28H	27' 8"	4.5 x 8	0.188	124	10.56 (+/- 0.43)	1 x 36 x 4.5	4.13
TRA-CB-30L ³	29' 8"	4 x 7	0.156	99	11.63 (+/- 0.37)	1 x 36 x 4.5	4.13
TRA-CB-30H	29' 8"	4.5 x 8	0.188	134	10.56 (+/- 0.43)	1 x 36 x 4.5	4.13
TRA-CB-35L ³	34' 8"	4.5 x 8	0.156	133	11.63 (+/- 0.37)	1 x 36 x 4.5	4.13
TRA-CB-35H	34' 8"	4.5 x 8	0.25	205	11.63 (+/- 0.37)	1 x 36 x 4.5	4.13
TRA-CB-39L ³	38' 8"	4.5 x 8	0.188	179	11.63 (+/- 0.37)	1 x 36 x 4.5	4.13
TRA-CB-39H	38' 8"	6 x 10	0.188	232	14.25 (+/- 0.75)	1 x 36 x 4.5	4.75

- Warning:** Additional wind loading, in terms of EPA, from banners, cameras, floodlights and other accessories attached to the pole, must be added to the luminaire(s) EPA before selecting the pole with the appropriate wind load capability.
- Factory supplied template must be used when setting anchor bolts. Gardco will not honor any claim for incorrect anchorage placement resulting from failure to use factory supplied templates.
- Includes (VDA) Vibration Dampener standard.

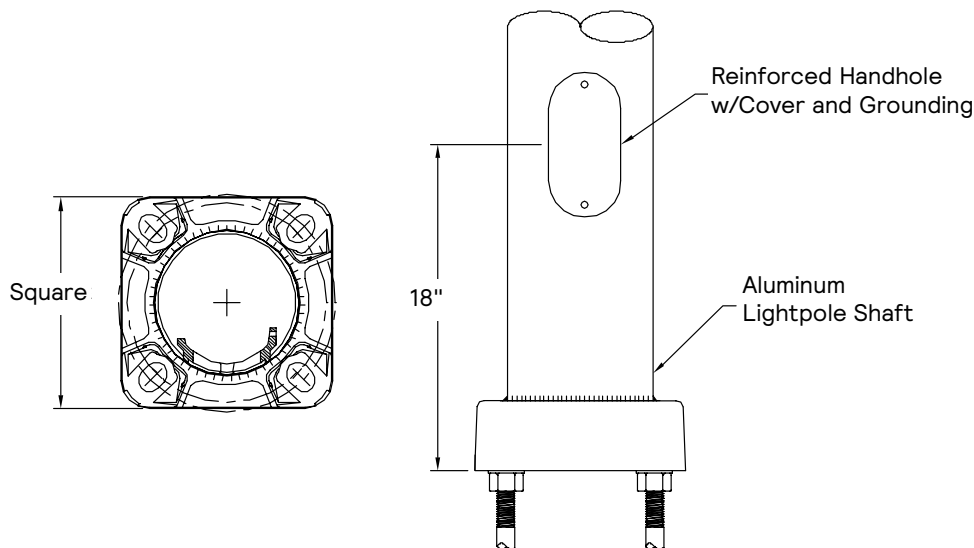
Poles Tapered Round Aluminum (Cast Base)

Pole Data

Catalog Number	Maximum Luminaire Loading ¹							
	High Wind Conditions		Normal Wind Conditions					
	110 MPH		100 MPH		90 MPH		80 MPH	
Prefix	EPA ft ²	Max Weight (lbs)	EPA ft ²	Max Weight (lbs)	EPA ft ²	Max Weight (lbs)	EPA ft ²	Max Weight (lbs)
TRA-CB-8	4.1	75	5.1	75	6.5	75	8.5	75
TRA-CB-10	2.9	75	3.7	75	4.8	75	6.4	75
TRA-CB-12L	1.9	75	2.6	75	3.5	75	4.8	75
TRA-CB-12M	4.6	75	5.8	75	7.4	75	9.8	75
TRA-CB-14L	1.1	75	1.6	75	2.4	75	3.5	75
TRA-CB-14M	3.4	75	4.4	75	5.8	75	7.8	75
TRA-CB-16L	0.4	75	0.8	75	1.5	75	2.4	75
TRA-CB-16M	2.4	75	3.2	75	4.3	75	6.0	75
TRA-CB-20M	1.5	100	2.2	100	3.2	100	4.7	100
TRA-CB-20H	2.3	100	3.1	100	4.3	100	6.1	100
TRA-CB-25L ³	1.9	100	2.5	100	3.5	100	5.1	100
TRA-CB-25H	4.2	150	5.3	150	7.0	150	9.6	150
TRA-CB-28L ³	2.8	150	3.7	150	5.0	150	7.1	150
TRA-CB-28H	6.8	150	8.5	150	10.8	150	14.3	150
TRA-CB-30L ³	2.0	150	2.7	150	3.8	150	5.7	150
TRA-CB-30H	5.6	150	7.1	150	9.2	150	12.2	150
TRA-CB-35L ³	2.1	150	2.9	150	4.0	150	5.7	150
TRA-CB-35H	5.8	150	7.3	150	9.5	150	12.7	150
TRA-CB-39L ³	1.9	150	2.8	150	3.9	150	5.6	150
TRA-CB-39H	5.8	200	7.7	200	10.2	200	13.6	200

- Warning:** Additional wind loading, in terms of EPA, from banners, cameras, floodlights and other accessories attached to the pole, must be added to the luminaire(s) EPA before selecting the pole with the appropriate wind load capability.
- Factory supplied template must be used when setting anchor bolts. Gardco will not honor any claim for incorrect anchorage placement resulting from failure to use factory supplied templates.
- Includes (VDA) Vibration Dampener standard.

Dimensions



NOTE: Factory supplied template must be used when setting anchor bolts. Gardco will not honor any claim for incorrect anchorage placement from failure to use factory supplied templates.

Poles Tapered Round Aluminum (Cast Base)

Specifications

All aluminum alloys shall comply with metalurgical and mechanical properties set forth in the Aluminum Association Standards.

POLE SHAFT

The pole shaft shall be spun tapered from all new seamless 6063 alloy aluminum and shall be heat treated to produce a T6 temper. Each shaft shall have a minimum 6" long straight section at the top to accommodate drilling and/or Gardco floodlight and bullhorn brackets. Shafts are polished with fine grain aluminum oxide cloths, resulting in a high quality, circumferential satin brushed finish. After finishing, each pole shall be fully wrapped with neutral PH kinkle/kraft paper for protection in shipment.

ANCHOR BASE

The anchor base (base plate) is cast from A356 alloy aluminum. The anchor base casting and shaft shall be joined by a continuous circumferential weld at the inside bottom of the anchor base. The completed assembly will be heat treated to T6 temper after all structural welding is completed. The 1100-0 alloy collars are spun from heavy duty .125" stock, making them damage and vandal resistant.

ANCHOR BOLTS

Anchor bolts are fabricated from a commercial quality hot rolled carbon steel bar with a minimum yield strength of 55,000 PSI. Bolts have an "L" bend on one end and threaded on the opposite end. Anchor bolts are hot dipped galvanized a minimum length of 12" on the threaded end. Four (4) properly sized bolts, each furnished with two (2) regular hex nuts and two (2) flat washers, are provided per pole (priced separately), unless otherwise specified.

HAND HOLE

Each hand hole includes an easy to install, self-contained Swing Latch hand hole cover assembly. U.S. Patent Swing Latch cover is fabricated from durable polycarbonate/ABS blend plastic. All poles include a peripherally reinforced flush covered handhole centered 18" above the bottom of the pole. The opening in the 4" diameter pole shall measure 2 3/8" X 4 1/2". The opening in the 5" and 6" diameter pole shall measure 3" X 5". The opening in the 7", 8" and 10" diameter pole shall measure 4" X 6". Hand hole dimensions are nominal.

DRILLING

Standard poles are drilled in factory for compatibility with Signify luminaires, optional brackets, and accessories. Signify is not liable for damage caused by unauthorized attachments, alterations, or modifications.

If luminaires are to be supplied by others, Signify/Gardco/Stonco is not responsible for pole compatibility with luminaires, structural integrity of the pole or wind load requirements.

FINISH

Poles are available with Association Architectural Class 1 anodized finish. Electrostatically applied, thermally cured TGIC polyester powdercoat finish or liquid polyurethane is also available.

POLE TOP CAP

Each pole assembly is provided with a removable plastic top push cap. Finish is Black.

DESIGN

The charted weights include luminaire(s) and/or mounting bracket(s) and are based on an approximate weight to EPA ratio of 25 pounds per square foot. The wind velocities are based on 10 mph increments from 80 mph through 110 mph. Poles to be located in areas of known abnormal conditions may require special consideration.

For example: coastal areas, airports and areas of special winds.

Poles are designed for ground-mounted applications. Poles mounted on structures (such as buildings and bridges) may also necessitate special consideration requiring Gardco's recommendation. Height correction factors and drag coefficients are applied to the entire structure. An appropriate safety factor is maintained based on the minimum yield strength of the material incorporated in the pole. Mounting height is the vertical distance from the base of the pole to the center of the luminaire arm at the point of luminaire attachment. For loadings other than those covered in the design section, such as overhead wiring, guying of the poles or other field installed attachments, consult the factory for recommendations. PE digitally stamped pole calculations are available on Gardco Site and Area poles upon request for an additional charge. Detailed project and installation information is required to fulfill this service. For more information, consult the factory.

WARNING

This design information is intended as a general guideline only. The customer is solely responsible for proper selection of pole, luminaire, accessory and foundation under the given site conditions and intended usage. The addition of any items to the pole, in addition to the luminaire, will dramatically impact the EPA load on that pole. It is strongly recommended that a qualified professional be consulted to analyze the loads given the user's specific needs to ensure proper selection of the pole, luminaire, accessories, and foundation. Gardco assumes no responsibility for such proper analysis or product selections. Failure to insure proper site analysis, pole selection, loads and installation can result in pole failure, leading to serious injury or property damage.

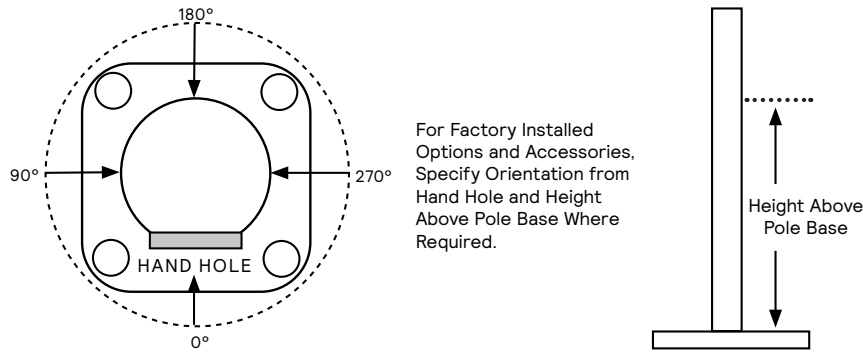
WARRANTY

Gardco poles feature a 1 year limited warranty. See Warranty Information on www.signify.com/warranties for complete details and exclusions.

Poles Straight Square Steel

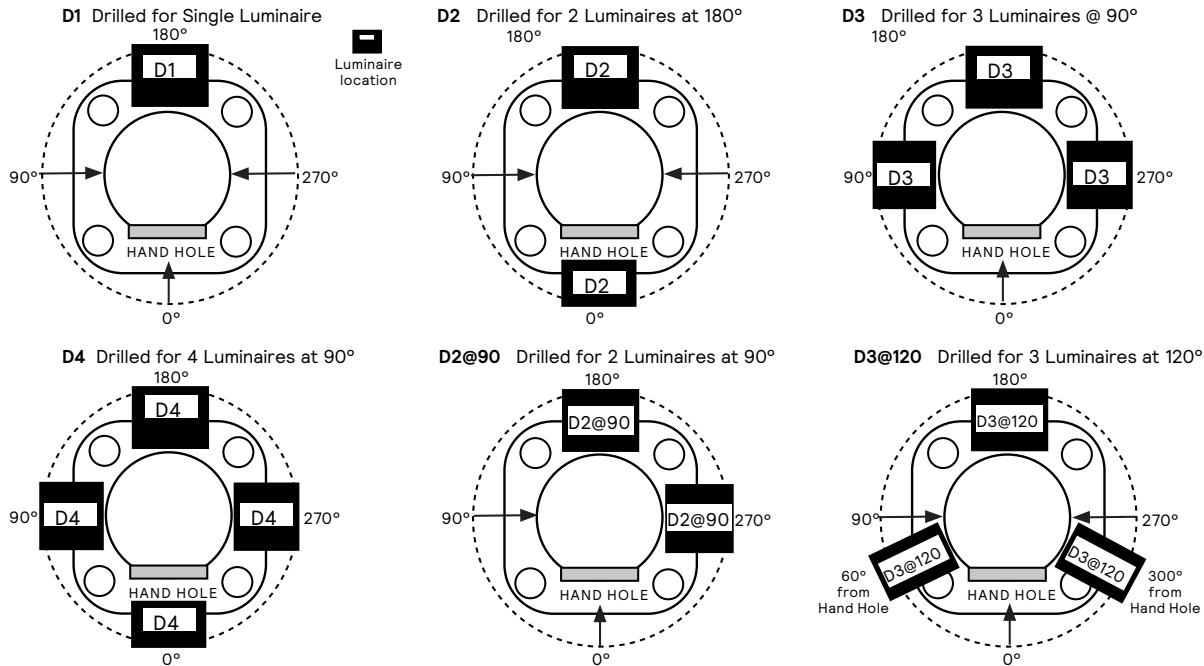
Orientation Information

Factory installed options and accessories



Orientation is measured clockwise from the Hand Hole Center.

Standard arm mount luminaire orientation



Buy American Act of 1933 (BAA):

This product is manufactured in one of our US factories and, as of the date of this document, this product was considered a commercially available off-the-shelf (COTS) item meeting the requirements of the BAA. This BAA designation hereunder does not address (i) the applicability of, or availability of a waiver under, the Trade Agreements Act, or (ii) the "Buy America" domestic content requirements imposed on states, localities, and other non-federal entities as a condition of receiving funds administered by the Department of Transportation or other federal agencies. Prior to ordering, please visit www.signify.com/baa to view a current list of BAA-compliant products to confirm this product's current compliance.

