

# Lighting inspired by nature



## NatureConnect brings the benefits of natural light indoors

The NatureConnect natural lighting system is built on proven Biophilic Design principles to reconnect us with the constant cycles and variations of nature for comfortable, engaging and attractive indoor environments.

The NatureConnect link integrates with the lighting controls system and the NatureConnect luminaires, responsible for delivering biophilic content and recipes. The NatureConnect link features pre-programmed dynamic and static scenes.



# NatureConnect link

## Standard



## Technical specifications

### General Information

Ambient temperature range	0 to 35 °C (32 to 95 °F)
Storage temperature	-40 to 70 °C (-40 to 158 °F)
Ingress protection code	IP20
Merch. impact protection code	IK02
CE mark	Yes
UL mark	Yes
Warranty period	5 years

### Interfaces

Power supply connector	DC5.5
Ethernet	RJ45, 10/100Mbit, DHCP client
DMX	3-pole pluggable screw terminal, max. 1.5mm <sup>2</sup> AWG 16 wire size.
Max. DMX cable length	300 m (984 ft)
DALI IN	Compatible with DALI and D4i Control Devices. 2-pole pluggable screw terminal.
Max. DALI IN cable length	300 m (984 ft); 15 m (50 ft) when using a sensor like SNS210
DALI IN power supply	Integrated, can be disabled. 12V-20.5 V, 52 mA guaranteed, 60 mA max
DALI OUT	DA1, compatible with NatureConnect luminaires. DA2, compatible with DALI luminaires. 4-pole pluggable screw terminal
Max. DALI OUT cable length	300 m (984 ft)
DALI OUT power supply	Integrated in both DA1 and DA2. 12V-20.5V, 195 mA guaranteed, 250 mA max
Max. DALI addresses	64 per DALI output
User controls	Push button, DIP switches, Rotary switches, Status LEDs
0-10V control input	Two channels compatible with ANSI C137.1, - for brightness control and scene selection. 4-pole pluggable screw terminal.

### Mechanical and Housing

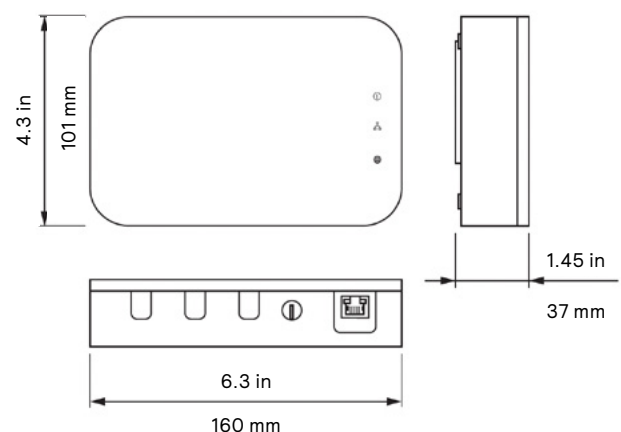
Dimensions (LxWxH)	6.3x4.3x1.45 in (160x101x37 mm)
Weight	0.5 kg (1.1 lbs)
Housing material	ABS
Housing color	White RAL 9016

### Electrical

Power supply input voltage	100-240 V AC
Input frequency	50 to 60 Hz
Input current	< 525 mA
Power plug	Exchangeable plugs for EU/NAM mains sockets
Power supply cable length	1.5 m (5 ft)
Maximum electrical power	15 W
Power factor	0.3
Power supply output voltage	24 Vdc SELV
Output current	< 875 mA
Real time clock	Mains/Battery powered. Battery life: 2 years no supply/ 10 years with supply
Insulation Mains - DALI	Double
Insulation DALI IN - DALI OUT	Double
Insulation DA1 - DA2	Double

### Product Data

Description	Catalog Code	12NC
NC link gen2 Base	NCFG680	912401184221
NC link Base w Remote Sens Kit sur mnt	NCFG681	912401184222
NC link Base w Remote Sens Kit rec mnt	NCFG682	912401184223
NC link Base w Remote Radio Kit sur mnt	NCFG683	912401184224

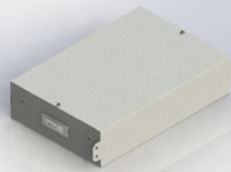


### Open Source Statement

This product contains open source software. The acknowledgements, license texts and the written offer can be retrieved from the product after installation using a web browser by opening the following web page <https://interact.lighting.com/lightopensource/>. This link allows you to enter the mac address that can be found on the label at the back of the product. This web service will subsequently retrieve the acknowledgments, license texts and written offer from the device with that particular mac address, providing you with the information corresponding to the then current open source software in the device.

# NatureConnect link

Plenum rated



## Technical specifications

### General Information

Ambient temperature range	0 to 40 °C (32 to 104 °F)
Storage temperature	-40 to 70 °C (-40 to 158 °F)
Ingress protection code	IP20
Merch. impact protection code	IK02
CE mark	Yes
UL mark	Yes
Warranty period	5 years

### Interfaces

Power supply connector	DC5.5
Ethernet	RJ45, 10/100Mbit, DHCP client
DMX	3-pole pluggable screw terminal, max. 1.5mm <sup>2</sup> AWG 16 wire size.
Max. DMX cable length	300 m (984 ft)
DALI IN	Compatible with DALI and D4i Control Devices. 2-pole pluggable screw terminal.
Max. DALI IN cable length	300 m (984 ft); 15 m (50 ft) when using a sensor like SNS210
DALI IN power supply	Integrated, can be disabled. 12V-20.5 V, 52 mA guaranteed, 60 mA max
DALI OUT	DA1, compatible with NatureConnect luminaires. DA2, compatible with DALI luminaires. 4-pole pluggable screw terminal
Max. DALI OUT cable length	300 m (984 ft)
DALI OUT power supply	Integrated in both DA1 and DA2. 12V-20.5V, 195 mA guaranteed, 250 mA max
Max. DALI addresses	64 per DALI output
User controls	Push button, DIP switches, Rotary switches, Status LEDs
0-10V control input	Two channels compatible with ANSI C137.1, - for brightness control and scene selection. 4-pole pluggable screw terminal.

### Mechanical and Housing

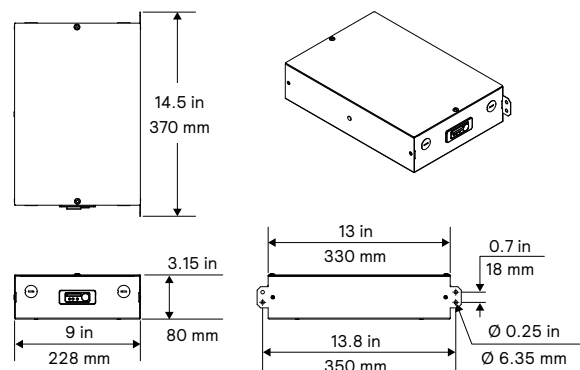
Dimensions (LxWxH)	14.5x9.0x3.1 in (370x228x80mm)
Weight	2.9 kg (6.4 lbs)
Housing material	Steel
Housing color	Sandtex White

### Electrical

Power supply input voltage	108 - 305 VAC
Input frequency	50 to 60 Hz
Maximum electrical power	15 W
Power factor	> 0.9
Output current	< 875 mA
Real time clock	Mains/Battery powered. Battery life: 2 years no supply/ 10 years with supply
Insulation Mains - DALI	Double
Insulation DALI IN - DALI OUT	Double
Insulation DA1 - DA2	Double

### Product Data

Description	Catalog Code	12NC
NC link Base plenum	NCFG900	912401184607
NC link Base plenum with IA Radio	NCFG910	912401184608
NC link plen IA Radio UL924	NCFG915	912401184609
NC link plen Remote Sens Kit rec mnt	NCFG920	912401184610
NC link plen RemSens UL924	NCFG925	912401184611
NC link CCEA RemSens	NCFG950	912401184612
NC link CCEA RemSens UL924	NCFG960	912401184613



© 2023 Signify Holding. All rights reserved. The information provided herein is subject to change, without notice. Signify does not give any representation or warranty as to the accuracy or completeness of the information included herein and shall not be liable for any action in reliance thereon. The information presented in this document is not intended as any commercial offer and does not form part of any quotation or contract, unless otherwise agreed by Signify.

Signify North America Corporation  
400 Crossing Blvd, Suite 600  
Bridgewater, NJ 08807  
Telephone 800-555-0050

Signify Canada Ltd.  
281 Hillmount Road,  
Markham, ON, Canada L6C 2S3  
Telephone 800-668-9008

All trademarks are owned by Signify Holding or their respective owners.