

# Day-Brite

## CFI

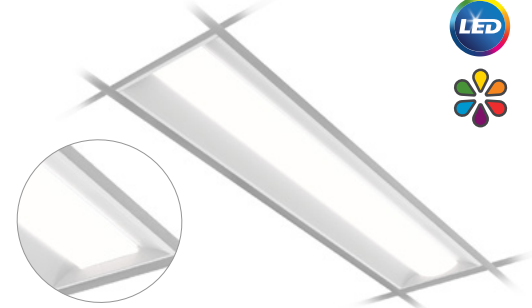
by Signify

### Recessed

### FluxGrid gen 2 1x4

2FGX up to 5400 lumens

RS diffuse round smooth



FS diffuse flat smooth



Day-Brite / CFI FluxGrid gen 2 LED recessed luminaires offer architectural appeal with “must have” features. Two different lens styles, discrete air return, integral emergency, and access to the boards and driver from below make FluxGrid gen 2 an ideal solution for a wide range of applications. FluxGrid gen 2 offers premium quality of light with AccuRender high efficacy CRI 90+. Options include Interact, AccuRender Tunable White and new BioUp high melanopic tunable technology to enhance your daily life. FluxGrid gen 2 LED recessed includes Accu-DIM technology for the highest color quality at the highest efficacy.

Project: \_\_\_\_\_  
 Location: \_\_\_\_\_  
 Cat.No: \_\_\_\_\_  
 Type: \_\_\_\_\_  
 Qty: \_\_\_\_\_  
 Notes: \_\_\_\_\_

### Ordering guide

Standard configurations available with all choices, unless otherwise noted. Base configurations selections indicated by blue.

Example: 1FGXG42B840-4-RS-UNV-DIM

Width	Family	Ceiling Type	Air Function	Lumens (nominal delivered)	Color	Length	Center Diffuser	Voltage	Driver	Options
1	FGX	G				4				
1'	FGX FluxGrid	G Grid	Blank Static H Air return	Base Configurations 42B 4200  Standard Configurations 15L 1500 30L 3000 38L 3800 45L 4500 54L 5400  Standard configuration lumen packages may be ordered in increments of 100lms from the lowest to highest lumen package	830 80 CRI, 3000K 835 80 CRI, 3500K 840 80 CRI, 4000K 850 80 CRI, 5000K 935 90 CRI, 3500K 940 90 CRI, 4000K 950 90 CRI, 5000K 9TW <sup>4</sup> 90 CRI, 2700K thru 6500K BIO <sup>4</sup> 90 CRI 2700K thru 5000K	4' 4'	FS Diffuse flat smooth RS Diffuse round smooth F Diffuse flat ribbed R Diffuse round ribbed	UNV Universal voltage 120-277V 347 347V	DIM <sup>1</sup> Dimming Step dimming to 30% input power XDIM <sup>9,10</sup> MarkX phase dimming LDE <sup>5</sup> Lutron LDE11% dimming DALI DALI	F1 3/8" flex, 18 gauge 6'; 3 leads include hot, neutral, ground. F2 3/8" flex, 18 gauge 6'; 4 leads include 2 hots, neutral, ground F1/D <sup>13</sup> 3/8" twin flex, 18 gauge 6' for dimmable luminaires; Flex 1: 3 leads include hot, neutral, ground; Flex 2: 2 leads, Dim +/Dim - 3/8" single flex, 18 gauge 6' for dimmable luminaires; 5 leads include hot, neutral, ground, Dim + / Dim - 3/8" single flex, 18 gauge 6' for dimmable and emergency luminaires; 6 leads include 2 hot, neutral, ground, Dim + / Dim - Fusing, fast blow GLR Bodine 10W self-testing battery pack BSL10LST <sup>4</sup> Bodine 6W self-testing battery pack DSC Quick driver disconnect CHIC Chicago Plenum rated ER100 <sup>3,6,7</sup> UL924 listed sensor bypass relay, factory installed between driver & sensor GTD/E <sup>4,6</sup> UL924 listed Bodine GTD factory installed on driver input GTD/SNSR <sup>4,6,7</sup> UL924 listed Bodine GTD factory installed between driver and sensor SWZCS <sup>2,8</sup> Interact wireless sensor with integral daylight & occupancy sensing, advanced grouping with dwell time RADIO <sup>2</sup> Interact RF sensor for wireless connectivity only, no sensing IAOSB <sup>2,8</sup> Interact Pro wireless sensor with occupancy, daylight, and environmental sensing capabilities AG Antimicrobial finish BAC <sup>1</sup> Meets the requirements of the Buy American Act of 1933 (BAA)

- Integral controls options dimmable to 1% via wireless wall switch. Non-controls options are 0-10V dimmable to 1% for Standard configurations, and to 10% for Base configurations.
- Specify only with -DIM driver option.
- ER100 option not available with Bodine EM battery packs.
- Not available with 347V.
- Option is qualified as Engineered-to-Order (ETO) ready. Lead times and minimum order quantities may vary, please consult factory.
- Must be installed in conjunction with a UL1008 device.
- Must be ordered with an integral sensing option.
- Must order IRT9015 Interact commissioning remote with each system order.
- XDIM requires 120V specification
- XDIM max lumen output 54L. <45L requires ELV dimmer; >45L requires Triac dimmer
- Failure to properly select the "BAC" suffix could result in you receiving product that is not BAA compliant product with no recourse for an RMA or refund. This BAC designation hereunder does not address (i) the applicability of, or availability of a waiver under, the Trade Agreements Act, or (ii) the "Buy America" domestic content requirements imposed on states, localities, and other non-federal entities as a condition of receiving funds administered by the Department of Transportation or other federal agencies.
- Consult Signify to confirm whether specific accessories are BAA-compliant.
- Flex with dimming not available with Interact sensors.
- Tunable White and BioUp options are available with Interact scalable wireless or with 2ch 0-10V or DALI-2 wired drivers. 9TW lumen range 15L-45L. BIO lumen range 15L-43L.

### Accessories<sup>12</sup> (order separately)

- FSF14 - 1'x4' surface mount field installation kit (field assembled)
- FMA14 - 1'x4' "F" mounting frame for NEMA "F" ceiling
- FSK14 - 1'x4' surface mount field installation kit (factory welded seams)

### Replacement Lens (order separately)

- FGXRS4L - FGX 4' round smooth replacement lens
- FGXR4L - FGX 4' round ribbed replacement lens
- FGXFS4L - FGX 4' flat smooth replacement lens
- FGXF4L - FGX 4' flat ribbed replacement lens
- FGXHFS4L - FGX 4' air return flat smooth replacement lens
- FGXHF4L - FGX 4' air return flat ribbed replacement lens
- FGXHR4L - FGX 4' air return round smooth replacement lens
- FGXHR4L - FGX 4' air return round ribbed replacement lens
- FGXCF4L - FGX 4' controls flat smooth replacement lens
- FGXCF4L - FGX 4' controls flat ribbed replacement lens
- FGXCR4L - FGX 4' controls round smooth replacement lens
- FGXCR4L - FGX 4' controls round ribbed replacement lens

### SWZCS accessories (order separately)

- IRT9015 - handheld remote for grouping and configuration (at least one remote required for any SWZCS installation).



interact ready.

# 1FGX FluxGrid gen 2 recessed 1x4

up to 5400 lumens

## Application

- 3-1/8" deep low profile configuration provides minimal penetration into the plenum space.
- Acrylic diffusers available in round and flat smooth configurations which provides even illumination with comfortable appeal.
- Standard and base configurations available in multiple lumen packages to suit the needs of various applications.
- Lambertian distribution creates uniform horizontal and vertical illuminance on the work plane and reduces scalloping on the walls.
- CRI 80 minimum color rendering with balanced spectrum.
- LEDs coupled with standard dimming provide prolonged lumen maintenance. Optional integral sensors contribute further to LED lumen maintenance.
- Designed for use with standard Grid (NEMA "G") or Narrow Grid (NEMA "NFG") ceiling T-bars. Drywall or plaster requirements can be accommodated by using an FMA14 "F" mounting frame (sold separately).
- Continuous row mounting is possible with a 1" gap between fixtures accommodated by others.

## General notes

- All options are factory installed.
- All accessories are field installed.
- Many luminaire components, such as reflectors, refractors, lenses, sockets, lampholders, and LEDs are made from various types of plastics which can be adversely affected by airborne contaminants. If sulfur based chemicals, petroleum based products, cleaning solutions, or other contaminants are expected in the intended area of use, consult factory for compatibility.

## Enclosure

- Opal acrylic diffuser provides visually comfortable lumenance without compromise to luminaire efficacy.
- Diffuser requires no frames or fasteners and can be easily removed from below.

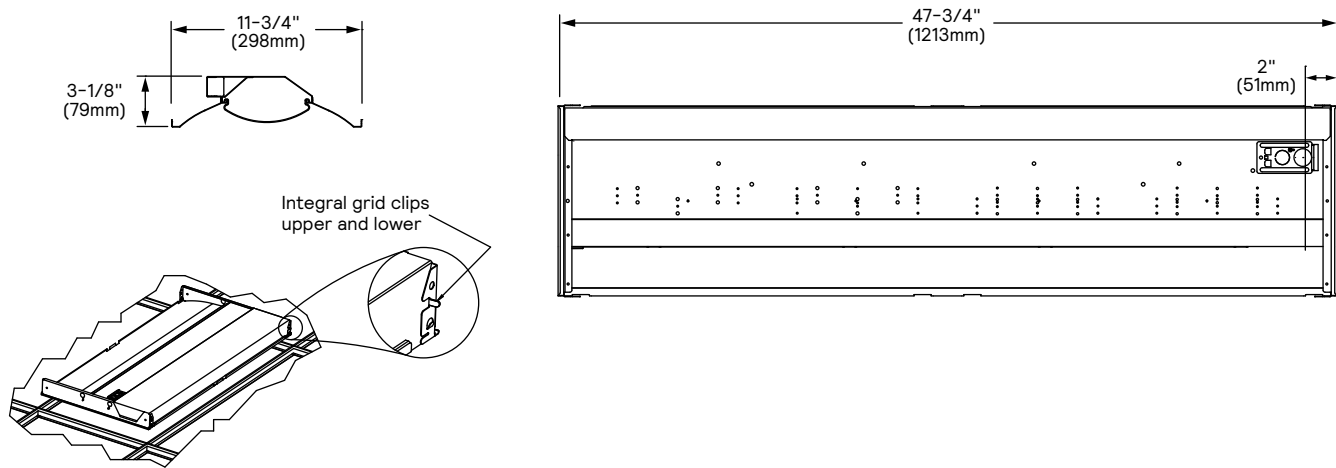
## Construction/Finish

- Uncomplicated design is 3-1/8" deep with minimal material overlap creating several benefits:
  - Less material required
  - Less packaging required
  - Reduced weight for ease of handling and transit
  - Less energy required for construction and assembly
  - More luminaires can be shipped per truck to reduce fuel consumption
- Metal side covers are die formed with a conical shape to enhance light distribution and visual aesthetic.
- Luminaire finish is matte white polyester powder coat for high quality, durable finish.
- T-bar grid clips are integral to the body.
- Air return option provides air flow through architectural forms located at each end of the lens. Air passes through these forms and through the end plates of the luminaire. A cover plate is provided to control air flow through the luminaire, or make it static as required.
- Integral controls options include sensor mounted architectural form at one end of the lens.
- Bodine BSL10LST and BSL6LST options require the emergency battery pack be installed with a top side cover. Access from above.
- To estimate lumen output in emergency mode, multiply emergency pack wattage by efficacy, then by 1.10.

## Electrical

- Integral sensor options for occupancy sensing and/or daylight harvesting are available for additional energy savings with no reduction of life or increase in installation labor.
- Standard configurations provide up to 146 lumens per watt and are available with multiple lumen packages and 3000, 3500, 4000, and 5000K color temperatures.
- Base configuration provides up to 139 lumens per watt and are available in 4200 lumen flux and 3500K and 4000K color temperatures.
- LED boards are accessible from below by removal of the lens.
- LED driver is accessible from below by removal of the lens and integral wireway cover.
- Other driver options including step dimming (SDIM, 100%/40%), DALI, phase dimming (XDIM), and Lutron are available.
- 5 year manufacturer's limited warranty. Visit [signify.com/warranties](http://signify.com/warranties) for complete warranty information.
- TM-21 predicted L70 lumen maintenance up >100,000 hours.
- cETLus listed to UL and CSA standards, suitable for damp locations.
- Base and Standard configurations are IC rated.

## Dimensions



# 1FGX FluxGrid gen 2 recessed 1x4

up to 5400 lumens

## Wireless Controls Options

### Emergency Options (ER100)

- Power Sensing (Factory default) – Recommended UL924 option requires unswitched power sense line, absence of voltage on the normal circuit triggers luminaire to 100% output
- Power Interruption Detection (Field option) – Detects AC power interruption >30ms triggers 90 minute emergency mode with luminaire at 100% output

FluxGrid shown with integral sensor



### Interact – a scalable sensor

- SWZCS is a connected sensor with integral occupancy and daylight sensing and supports wireless mesh connectivity.
- The sensor works in the Foundation mode (similar to SpaceWise) when configured without a gateway or in an Interact Pro Advanced or Enterprise mode if a compatible gateway is used.
- Interact includes an App, a portal and a broad portfolio of wireless luminaires, lamps and retrofit kits all working on the same system.
- Startup is implemented via Interact Pro App (Android or iPhone) & Bluetooth connectivity. The App provides flexibility to choose between a gateway or non gateway mode for setup.
- Setup with the gateway requires wired internet access to the gateway. It is possible to add a gateway at a later point.
- Prepare project configuration steps remotely and use IRT9015 remote onsite to identify and group devices together.

- Compatible with:
  - SWS200 wireless scene switch
  - Battery powered IP42 presence sensor OCC sensor IA CM WH 10/1
  - Battery powered IP42 presence & daylight sensor OCC-DL sensor IA CM IP42 WH
  - LCN3110: Battery powered IP65 presence sensor, OCC sensor IA CM IP65WH
  - LCN3120: Battery powered IP65 presence & daylight sensor, OCC-DL sensor IA CM IP65 WH
- For more information on Interact Pro visit: [www.interact-lighting.com/interactproscalablesystem](http://www.interact-lighting.com/interactproscalablesystem)

### Radio only sensor (RADIO)

- Integral RADIO only sensor simply enables wireless mesh connectivity to the luminaire without any occupancy or daylight sensing.
- Ideal for applications where sensing functionality is managed by other Interact devices and the luminaire only needs to have wireless connectivity.
- Interact Pro includes an App, a portal and a broad portfolio of wireless luminaires, lamps and retrofit kits all working on the same system.
- Startup is implemented via Interact Pro App (Android or iPhone) & Bluetooth connectivity. The App provides flexibility to choose between a gateway or non-gateway mode for setup.
- Setup with the gateway requires wired internet access to the gateway. It is possible to add a gateway at a later point.
- Prepare project configuration steps remotely, identify and group devices together onsite.
- Compatible with UID8451/10 wireless dimmer switch, SWS200 wireless scene switch, wireless Occ sensor (OCC SENSOR IA CM IP42 WH 10/1) and wireless Day/Occ sensor (OCC MULTI SENSOR IA CM WH 10/1).
- For more information on Interact Pro visit: [www.interact-lighting.com/interactproscalablesystem](http://www.interact-lighting.com/interactproscalablesystem)

### Interact scalable sensor bundles for Enterprise tier

- IAOSB option in addition to occupancy and daylight sensing supports advanced IoT capabilities such as people estimation analysis, desk level temperature & humidity sensing, noise classification, and BLE beacon.
- Compatible with SWS200 wireless scene switch and Interact Ready wireless battery powered sensors.
- Use Interact software and insights to increase building efficiency, achieve building wide integration and optimize space through occupancy analytics.
- Requires compatible Gateway and internet connectivity for commissioning.
- For more information, visit: [www.interact-lighting.com/office](http://www.interact-lighting.com/office) or [www.usa.lighting.philips.com/systems/system-areas/offices](http://www.usa.lighting.philips.com/systems/system-areas/offices)

### Tunable White & BioUp:

- Tunable White & BioUp options are available with Interact Pro wireless or with 2ch 0-10V or DALI-2 (DT6 or DT8) wired drivers. (extended lead times may apply).
- Signify tunable white solutions are designed to help maximize the influence of lighting on your daily life.
- Dynamic behaviors via scheduled lighting recipes mimicking daylight patterns or supporting biorhythms.
- Scene setting via lighting pre-sets based on various combinations of lighting color temperature and intensity.

## Interact supported sensor option codes across Genlyte product lines

	Evokit	Day-Brite	Ledalite	Lightolier
ZigBee + Bluetooth + Sensing	SWZCS	SWZCS	CS	SBA accessory (external)
ZigBee + Bluetooth	RADIO	RADIO	RA	RA
ZigBee + Bluetooth + Sensing + Environmental data	IAOSB	IAOSB	SB	SB
ZigBee + Highbay + Sensing	-	SWZCSH	-	-

# 1FGX FluxGrid gen 2 recessed 1x4

up to 5400 lumens

## interact

	Standalone	Gateway	Gateway + IoT
Dimming, grouping, and zoning	✓	✓	✓
Bluetooth and ZigBee enabled	✓	✓	✓
Motion sensing and daylight harvesting	✓	✓	✓
Integration with 0-10V and phase dimming fixtures	✓	✓	✓
Code compliance	✓	✓	✓
Granular dimming and dwell time	✓	✓	✓
Correlated color temperature (CCT) tuning by switch	New	✓	✓
Support for sensor-based Tunable White luminaires	New	✓	✓
Energy reporting and monitoring		✓	✓
Scheduling		✓	✓
Demand response		✓	✓
BMS integration (BACnet)			✓
Floor plan visualization			✓
IoT sensors for wellness			✓
IoT Apps for productivity			✓

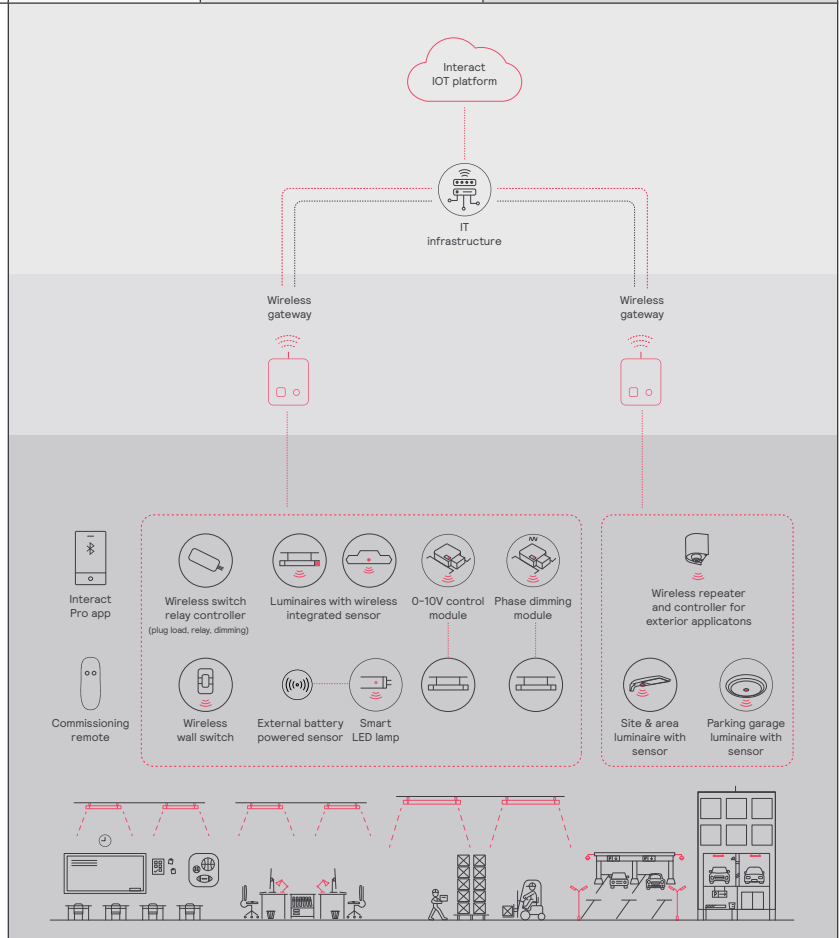
### Currently supported maximum system size

To be able to design the lighting system correctly for the customer, it is important to know the prime characteristics of the system, its possibilities and limitations.

System level	
Total number of gateways	Unlimited
Total number of devices	200 per network
• Luminaires with integrated sensors	150
• Smart TLEDS	150
• Zones + groups	64
Total number of ZGP devices (sensors and switches)	50
• Sensors	30
• Switches	50

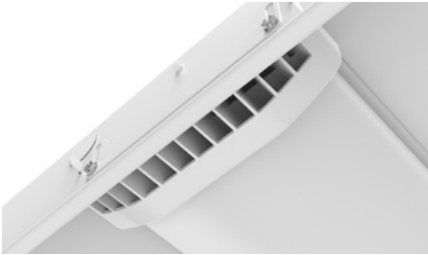
Group level	
Recommended number of lights	40 (maximum 150)
Number of ZGP devices	5
Number of scenes	16



# 1FGX FluxGrid gen 2 recessed 1x4

up to 5400 lumens

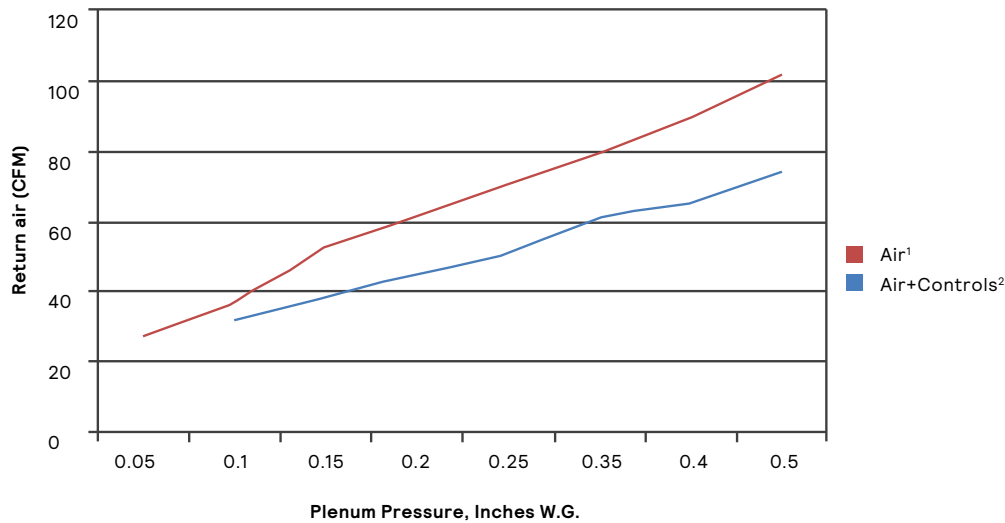
## Air return option



Allows air to flow through vents in the architectural forms located at both ends of the lens. Air blades are provided on each end of the luminaire to control air flow to the plenum.

### Return air data

All luminaire sizes



### Return air - noise criteria

All luminaire sizes

		CFM							
Mode		27	37	53	62	71	80	90	102
Air¹	NC (dB)	<15	24	25	29	33	35	38	40

		CFM							
Mode			31	38	45	51	61	65	74
Air+Controls²	NC (dB)		<15	19	21	25	28	30	34

1. Air-only option includes air return forms and pattern control blades on both ends of luminaire.
2. Air+Controls includes the air return form and pattern control blade on one end of the luminaire. Control form on the other with matching width.

# 1FGX FluxGrid gen 2 recessed 1x4

up to 5400 lumens

## Photometry

	Nominal CRI & CCT		CRI 80, 3000K			CRI 80, 3500K			CRI 80, 4000K			CRI 80, 5000K		
	Nominal Lumen Package (lm)	Watts	Flux (lm)	Efficacy (LPW)	UGR	Flux (lm)	Efficacy (LPW)	UGR	Flux (lm)	Efficacy (LPW)	UGR	Flux (lm)	Efficacy (LPW)	UGR
1FGXG15LXXX-4-RS	1500	10.4	1,414	136.0	17.2	1,490	143.0	17.4	1,516	146.0	17.8	1,516	146.0	17.3
1FGXG30LXXX-4-RS	3000	21.3	2,838	134.0	19.6	2,991	141.0	19.8	3,042	143.0	20.3	3,042	143.0	19.8
1FGXG38LXXX-4-RS	3800	27.4	3,584	131.0	20.4	3,777	138.0	20.6	3,841	140.0	21.1	3,841	140.0	20.6
1FGXG42BXXX-4-RS	4200	29.9	3,906	130.0	20.7	4,116	137.0	20.9	4,186	140.0	21.4	4,186	140.0	20.9
1FGXG45LXXX-4-RS	4500	33.6	4,302	128.0	21.1	4,533	135.0	21.3	4,610	137.0	21.7	4,610	137.0	21.2
1FGXG54LXXX-4-RS	5400	41.1	5,096	124.0	21.7	5,371	131.0	21.7	5,462	133.0	21.7	5,462	133.0	21.8

	Nominal CRI & CCT		CRI 90, 3500K			CRI 90, 4000K			CRI 90, 5000K		
	Nominal Lumen Package (lm)	Watts	Flux (lm)	Efficacy (LPW)	UGR	Flux (lm)	Efficacy (LPW)	UGR	Flux (lm)	Efficacy (LPW)	UGR
1FGXG15LXXX-4-RS	1500	10.4	1,391	134.0	17.0	1,442	139.0	17.2	1,431	138.0	17.1
1FGXG30LXXX-4-RS	3000	21.1	2,791	132.0	19.5	2,894	137.0	19.6	2,872	135.0	19.6
1FGXG38LXXX-4-RS	3800	27.5	3,524	129.0	20.3	3,654	133.0	20.4	3,626	132.0	20.4
1FGXG42BXXX-4-RS	4200	29.9	3,840	128.0	20.7	3,983	133.0	20.7	3,952	132.0	20.7
1FGXG45LXXX-4-RS	4500	33.7	4,230	126.0	20.9	4,386	130.0	21.0	4,353	129.0	21.0
1FGXG54LXXX-4-RS	5400	41.2	5,011	122.0	21.5	5,196	126.0	21.6	5,157	125.0	21.6

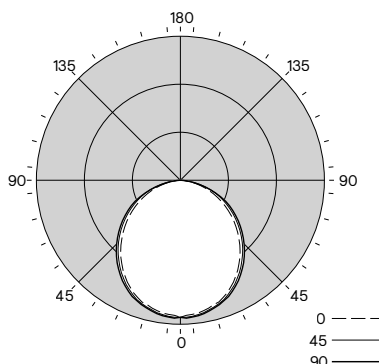
### 1FGXG42B840-4-RS-UNV

Luminaire Lumens 4186  
 Luminaire Efficacy Rating (LER) 140  
 Total Luminaire Watts 30.0  
 Spacing Criterion (0-180) 1.25

	Candela Distribution					Flux Lumens
	0	22.5	45	67.5	90	
0	1523	1523	1523	1523	1523	
5	1497	1510	1518	1524	1526	144
15	1431	1446	1456	1462	1467	411
25	1315	1329	1341	1356	1363	618
35	1134	1153	1173	1190	1199	732
45	920	940	972	993	1001	746
55	693	717	749	774	785	666
65	459	488	523	551	556	511
75	234	267	291	283	278	290
85	47	62	55	49	48	68
90	2	2	2	2	2	

Zonal Lumen Summary			
Zone	Lumens	%Fixture	%Lamp
0-30	1173	28.0%	28.0%
0-40	1905	45.5%	45.5%
0-60	3316	79.2%	79.2%
0-90	4186	100.0%	100.0%
0-180	4186	100.0%	100.0%

Avg. Luminance (cd/m <sup>2</sup> )			
	0	90	180
0	4645	4645	4645
5	4582	4647	4671
15	4517	4598	4632
25	4426	4513	4587
35	4223	4366	4466
45	3966	4191	4318
55	3684	3985	4172
65	3310	3776	4013
75	2758	3426	3274
85	1641	1938	1663



Coefficients of Utilization %												
Pc---	80				70				50			
Pw---	70	50	30	10	70	50	30	50	30	10	0	
RCR												
0	119	119	119	119	116	116	116	111	111	111	100	
1	109	104	100	96	106	102	98	98	94	91	84	
2	99	91	84	78	96	89	83	85	80	75	70	
3	90	80	72	65	88	78	71	75	69	63	59	
4	83	71	62	55	80	69	61	67	60	54	50	
5	76	63	54	48	74	62	54	60	52	47	44	
6	70	57	48	42	68	56	47	54	47	41	38	
7	65	52	43	37	63	51	42	49	42	36	34	
8	61	47	39	33	59	46	38	45	38	32	30	
9	57	43	35	29	55	43	35	41	34	29	27	
10	53	40	32	27	52	39	32	38	31	27	25	

# 1FGX FluxGrid gen 2 recessed 1x4

up to 5400 lumens

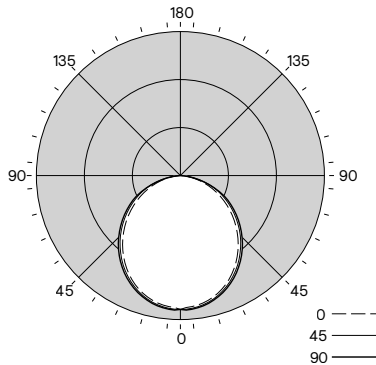
## 1FGXG30L840-4-RS-UNV

Luminaire Lumens 3042  
 Luminaire Efficacy Rating (LER) 144  
 Total Luminaire Watts 21.2  
 Spacing Criterion (0-180) 1.24

Candela Distribution						Flux
	0	22.5	45	67.5	90	Lumens
0	1115	1115	1115	1115	1115	
5	1096	1106	1110	1115	1118	105
15	1049	1059	1065	1071	1074	300
25	956	966	976	985	990	449
35	825	836	853	865	871	532
45	669	684	706	721	727	542
55	503	521	545	562	569	484
65	334	355	380	400	403	371
75	171	194	211	204	200	211
85	34	44	40	35	33	49
90	1	1	1	1	1	

Zonal Lumen Summary			
Zone	Lumens	%Fixture	%Lamp
0-30	854	28.1%	28.1%
0-40	1386	45.6%	45.6%
0-60	2411	79.3%	79.3%
0-90	3042	100.0%	100.0%
0-180	3042	100.0%	100.0%

Avg. Luminance (cd/m <sup>2</sup> )			
	0	90	180
0	3402	3402	3402
5	3356	3399	3422
15	3313	3362	3392
25	3219	3283	3330
35	3071	3174	3244
45	2887	3045	3135
55	2674	2895	3023
65	2408	2745	2909
75	2011	2482	2352
85	1199	1381	1153



Coefficients of Utilization %													
Pc---	80				70				50				0
Pw---	70	50	30	10	70	50	30	50	30	10	0	0	
RCR													
0	119	119	119	119	116	116	116	111	111	111	100		
1	109	104	100	96	106	102	98	98	94	91	84		
2	99	91	84	78	96	89	83	85	80	76	70		
3	90	80	72	65	88	78	71	75	69	63	59		
4	83	71	62	55	80	69	61	67	60	54	50		
5	76	63	54	48	74	62	54	60	52	47	44		
6	70	57	48	42	68	56	48	54	47	41	38		
7	65	52	43	37	63	51	43	49	42	36	34		
8	61	47	39	33	59	46	38	45	38	32	30		
9	57	43	35	30	55	43	35	42	34	29	27		
10	53	40	32	27	52	39	32	38	31	27	25		

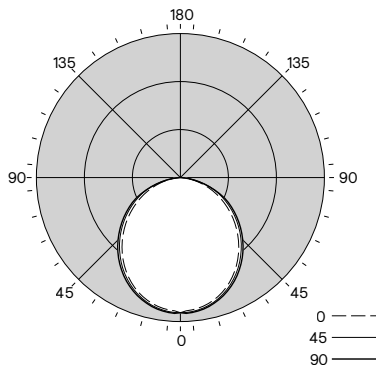
## 1FGXG38L840-4-RS-UNV

Luminaire Lumens 3841  
 Luminaire Efficacy Rating (LER) 140  
 Total Luminaire Watts 27.4  
 Spacing Criterion (0-180) 1.25

Candela Distribution						Flux
	0	22.5	45	67.5	90	Lumens
0	1408	1408	1408	1408	1408	
5	1384	1396	1401	1407	1411	133
15	1324	1336	1344	1351	1356	379
25	1207	1219	1231	1243	1250	567
35	1041	1055	1076	1092	1100	671
45	845	863	891	910	918	684
55	634	658	687	710	718	611
65	422	448	480	505	509	468
75	214	245	266	258	253	266
85	44	56	51	45	42	63
90	2	2	2	2	2	

Zonal Lumen Summary			
Zone	Lumens	%Fixture	%Lamp
0-30	1078	28.1%	28.1%
0-40	1750	45.6%	45.6%
0-60	3044	79.3%	79.3%
0-90	3841	100.0%	100.0%
0-180	3841	100.0%	100.0%

Avg. Luminance (cd/m <sup>2</sup> )			
	0	90	180
0	4293	4293	4293
5	4236	4290	4319
15	4181	4244	4280
25	4060	4143	4205
35	3877	4005	4096
45	3644	3842	3960
55	3372	3655	3817
65	3043	3464	3674
75	2525	3135	2976
85	1521	1768	1482



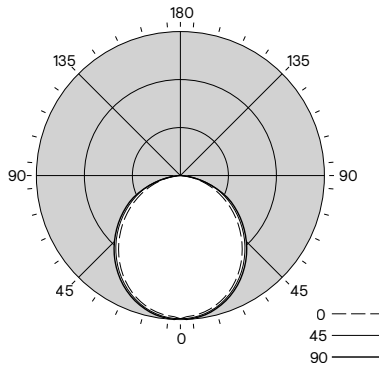
Coefficients of Utilization %													
Pc---	80				70				50				0
Pw---	70	50	30	10	70	50	30	50	30	10	0	0	
RCR													
0	119	119	119	119	116	116	116	111	111	111	100		
1	109	104	100	96	106	102	98	98	94	91	84		
2	99	91	84	78	96	89	83	85	80	75	70		
3	90	80	72	65	88	78	71	75	69	63	59		
4	83	71	62	55	80	69	61	67	60	54	50		
5	76	63	54	48	74	62	54	60	52	47	44		
6	70	57	48	42	68	56	48	54	47	41	38		
7	65	52	43	37	63	51	42	49	42	36	34		
8	61	47	39	33	59	46	38	45	38	32	30		
9	57	43	35	30	55	43	35	42	34	29	27		
10	53	40	32	27	52	39	32	38	31	27	25		

# 1FGX FluxGrid gen 2 recessed 1x4

up to 5400 lumens

## 1FGXG45L840-4-RS-UNV

**Luminaire Lumens** 4610  
**Luminaire Efficacy Rating (LER)** 137  
**Total Luminaire Watts** 33.7  
**Spacing Criterion (0-180)** 1.24



Candela Distribution						Flux
	0	22.5	45	67.5	90	Lumens
0	1690	1690	1690	1690	1690	
5	1661	1676	1682	1689	1694	160
15	1590	1604	1614	1622	1628	455
25	1449	1463	1479	1492	1500	680
35	1250	1267	1292	1311	1320	806
45	1014	1036	1070	1093	1101	821
55	763	788	825	853	861	733
65	507	537	577	607	611	562
75	258	294	320	310	303	319
85	52	67	61	53	50	75
90	2	2	2	2	2	

Zonal Lumen Summary			
Zone	Lumens	%Fixture	%Lamp
0-30	1295	28.1%	28.1%
0-40	2101	45.6%	45.6%
0-60	3654	79.3%	79.3%
0-90	4610	100.0%	100.0%
0-180	4610	100.0%	100.0%

Avg. Luminance (cd/m <sup>2</sup> )			
	0	90	180
0	5154	5154	5154
5	5085	5150	5185
15	5019	5095	5139
25	4876	4976	5046
35	4655	4812	4914
45	4374	4615	4750
55	4055	4388	4578
65	3656	4164	4407
75	3036	3766	3566
85	1834	2124	1752

Coefficients of Utilization %											
Pc---	80				70			50			0
Pw---	70	50	30	10	70	50	30	50	30	10	0
RCR											
0	119	119	119	119	116	116	116	111	111	111	100
1	109	104	100	96	106	102	98	98	94	91	84
2	99	91	84	78	96	89	83	85	80	76	70
3	90	80	72	65	88	78	71	75	69	63	59
4	83	71	62	55	80	69	61	67	60	54	50
5	76	63	54	48	74	62	54	60	52	47	44
6	70	57	48	42	68	56	48	54	47	41	38
7	65	52	43	37	63	51	43	49	42	36	34
8	61	47	39	33	59	46	38	45	38	32	30
9	57	43	35	30	55	43	35	42	34	29	27
10	53	40	32	27	52	39	32	38	31	27	25



© 2023 Signify Holding. All rights reserved. The information provided herein is subject to change, without notice. Signify does not give any representation or warranty as to the accuracy or completeness of the information included herein and shall not be liable for any action in reliance thereon. The information presented in this document is not intended as any commercial offer and does not form part of any quotation or contract, unless otherwise agreed by Signify.

Signify North America Corporation  
 400 Crossing Blvd, Suite 600  
 Bridgewater, NJ 08807  
 Telephone 800-555-0050

Signify Canada Ltd.  
 281 Hillmount Road,  
 Markham, ON, Canada L6C 2S3  
 Telephone 800-668-9008

All trademarks are owned by Signify Holding or their respective owners.