

# CHLORIDE

by Signify

## Exit/Emergency

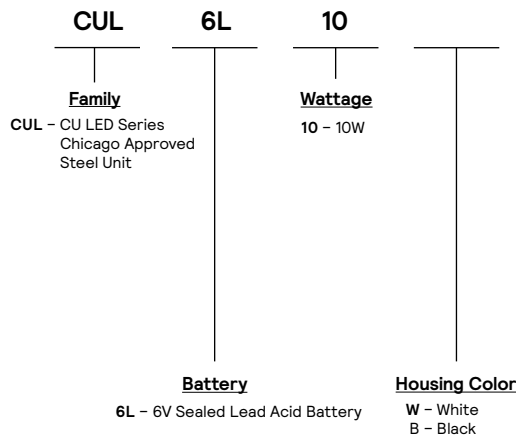
CU LED Series

Steel unit, 10W  
Chicago Approved



Project: \_\_\_\_\_  
Location: \_\_\_\_\_  
Cat.No: \_\_\_\_\_  
Type: \_\_\_\_\_  
Lamps: \_\_\_\_\_ Qty: \_\_\_\_\_  
Notes: \_\_\_\_\_

### Example: CUL6L10W



### codes and standards

- UL listed to standard 924
- NFPA 101 (Life Safety Code)
- NFPA 70 (National Electric Code)
- OSHA standards
- City of Chicago codes
- UL listed for damp locations 68°F (20°C) to 122°F (50°C)

### construction

- Housing is constructed of durable 20-gauge steel housing.
- Housing color is standard neutral white finish, black finish is optional.

### installation

- Unit is to be mounted to the wall.
- Two additional keyhole mounting holes are located at the top of the unit housing in addition to the J-Box mounting holes.
- These two additional mounting slot holes must be used when the unit is mounted to the wall.
- Additional chain support (supplied by others) may be required by local codes.

### electronics

- Charge rate/power "ON" LED indicator light and push to test switch for mandated code compliance testing.
- Low Voltage Battery Disconnect protects the battery from being severely damaged by deep discharge during prolonged power failures.
- Emergency units feature a fully automatic charger designed to recharge the battery within 24 hours.
- 120/277V dual input.
- Power Consumption: All models 120/277V maximum wattage is 10W and maximum amps are 0.08A / 0.04A.

### lamps

- Unit has two 6V, 3.3 Watt LED lamp heads.

### battery

- Maintenance free sealed lead acid battery.
- Provides a minimum of 120 minutes emergency illumination while in the emergency mode.

### warranty

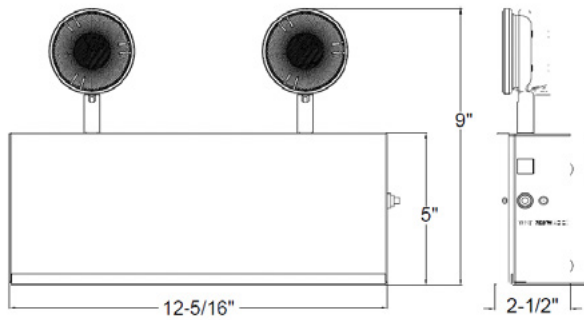
- Five year warranty. (Lamps not included.)



# CU LED Series Steel unit, Chicago Approved

10W

## dimensions



© 2022 Signify Holding. All rights reserved. The information provided herein is subject to change, without notice. Signify does not give any representation or warranty as to the accuracy or completeness of the information included herein and shall not be liable for any action in reliance thereon. The information presented in this document is not intended as any commercial offer and does not form part of any quotation or contract, unless otherwise agreed by Signify.

Signify North America Corporation  
400 Crossing Blvd, Suite 600  
Bridgewater, NJ 08807  
Telephone: 855-486-2216

Signify Canada Ltd.  
281 Hillmount Road,  
Markham, ON, Canada L6C 2S3  
Telephone: 800-668-9008

All trademarks are owned by Signify Holding or their respective owners.