



The Alkco EvoSeal is designed to meet the needs of modern specialty and healthcare lighting. The opal diffuser softens even high lumen outputs, and the bottom lenses protect the fixture from environmental ingress or abuse. Efficient 90 CRI AccuRender LEDs with optional Tunable White and cyan-enhanced BioUp technologies keep human-centric lighting in mind.

Project: _____
 Location: _____
 Cat.No: _____
 Type: _____
 Lamps: _____ Qty: _____
 Notes: _____

Ordering guide

Example: 2EVSG130L940-4-125CA-D-UNV-DIM

Width	Family	Ceiling Type	Lumens (nominal delivered)	Color	Length	Bottom Lens	Center Diffuser																		
2	ES	G			4																				
2 2ft	ES EvoSeal	G Grid	<p>Standard efficacy</p> <table border="0"> <tr> <td>30L 3000lm</td> <td>90L 9000lm</td> <td>930 90 CRI, 3000K</td> </tr> <tr> <td>40L 4000lm</td> <td>100L 10000lm</td> <td>935 90 CRI, 3500K</td> </tr> <tr> <td>50L 5000lm</td> <td>110L 11000lm</td> <td>940 90 CRI, 4000K</td> </tr> <tr> <td>60L 6000lm</td> <td>120L 12000lm</td> <td>950 90 CRI, 5000K</td> </tr> <tr> <td>70L 7000lm</td> <td>130L 13000lm</td> <td></td> </tr> <tr> <td>80L 8000lm</td> <td>150L 15000lm</td> <td></td> </tr> </table> <p>Other lumen packages may be ordered in increments of 500lm from 3000 to 15,000lm. Note: SDIM is not available with 347V from 110L to 150L.</p>	30L 3000lm	90L 9000lm	930 90 CRI, 3000K	40L 4000lm	100L 10000lm	935 90 CRI, 3500K	50L 5000lm	110L 11000lm	940 90 CRI, 4000K	60L 6000lm	120L 12000lm	950 90 CRI, 5000K	70L 7000lm	130L 13000lm		80L 8000lm	150L 15000lm				<p>125CA 0.125" Clear Acrylic</p> <p>125CP 0.125" Clear Polycarbonate</p> <p>187CP 0.187" Clear Polycarbonate</p> <p>250CP 0.250" Clear Polycarbonate</p>	<p>D Diffuse (opal)</p> <p>DS Diffuse smooth (opal)</p> <p>R Diffuse round ribbed (opal)</p> <p>RS Diffuse round smooth (opal)</p>
30L 3000lm	90L 9000lm	930 90 CRI, 3000K																							
40L 4000lm	100L 10000lm	935 90 CRI, 3500K																							
50L 5000lm	110L 11000lm	940 90 CRI, 4000K																							
60L 6000lm	120L 12000lm	950 90 CRI, 5000K																							
70L 7000lm	130L 13000lm																								
80L 8000lm	150L 15000lm																								
Voltage	Driver	Options																							
UNV Universal Voltage, 120-277 volt 347 347V	<p>DIM¹ SDIM Dimming Step dimming to 40% input power. SDIM not offered above 11K lumens with 347V</p> <p>LDEH Lutron LDE1, 1% Dimming</p> <p>DALI DALI</p>	<p>F1 3/8" flex, 3 wire 18 gauge 6'.</p> <p>F2 3/8" flex, 4 wire 18 gauge 6'.</p> <p>F1/D⁷ 3/8" twin flex, 3 wire 18 gauge 6' for dimmable luminaires.</p> <p>F2/5W⁷ 3/8" single flex, 5 wire 18 gauge 6' for dimmable luminaires.</p> <p>F2/6W⁷ 3/8" single flex, 6 wire 18 gauge 6' for dimmable and emergency luminaires</p> <p>GLR Fusing, fast blow.</p> <p>SWF Fuse (for 347V only)</p> <p>ER100^{5,6} UL924 listed sensor bypass relay, factory installed between driver & sensor. Only ordered with an Interact integral sensing option</p> <p>ER100/HVPS^{5,6} UL924 listed sensor bypass relay, factory installed between driver & sensor for 347/480 Power Sense (Interact Pro compatible)</p> <p>ER100/HVPI^{5,6} UL924 listed sensor bypass relay, factory installed between driver & sensor for 347/480 Power Interrupt (Interact Pro Compatible)</p> <p>GTD/E⁸ UL924 listed Bodine GTD factory installed on driver input. Not available with 347V.</p> <p>GTD/SNSR^{5,6} UL924 listed Bodine GTD installed between driver & sensor. Not available with 347V.</p> <p>DSC Quick driver disconnect</p> <p>BAC⁹ Meets the requirements of the Buy American Act of 1933 (BAA)</p> <p>SWZCS/RM^{2,3,8} Remote Mount Interact Pro scalable sensor with integral daylight & occupancy sensing, advanced grouping with dwell time</p> <p>RADIO/RM^{2,8} Interact Pro RF sensor, enables wireless connected lighting control</p> <p>IAOSB/RM^{2,3,8} Remote Mount Interact Office advanced wireless sensor bundle, integral SC1500 w/loT capabilities for enterprise scale projects</p> <p>BSL10LST Bodine 10W selftesting battery pack</p> <p>BSL6LST Bodine 6W selftesting battery pack</p>																							

- Integral controls options dimmable to 5% via wireless all switch. Non-controls are 0-10v dimmable to 1%.
- Specify only with -DIM driver option.
- Must order IRT9015 Interact commissioning remote with each system order.
- CRM includes side cover with top access plate and additional end cover. 7/8" gap between fixtures.
- Must be installed in conjunction with a UL1008 device.
- Must be ordered with an integral controls option.
- Flex not available with sensors.
- Remote mount sensor ships with the fixture for field installation, intended for mounting remotely in the ceiling next to the fixture.

- Sensor is UL damp location listed only
- Failure to properly select the "BAC" suffix could result in you receiving product that is not BAA compliant product with no recourse for an RMA or refund. This BAC designation hereunder does not address (i) the applicability of, or availability of a waiver under, the Trade Agreements Act, or (ii) the "Buy America" domestic content requirements imposed on states, localities, and other non-federal entities as a condition of receiving funds administered by the Department of Transportation or other federal agencies.
- Consult Signify to confirm whether specific accessories are BAA-compliant.

Accessories¹¹ (order separately)

- FMA24** - 2'x4' "F" mounting frame for NEMA "F" mounting
- SWZCS accessories⁹** (order separately)
- IRT9015** - handheld remote for grouping and configuration(at least one remote required for any SWZCS installation).

General Notes

- All options except sensors are factory installed
- Sensors are shipped with the fixture to be field installed per the installation instructions
- Many luminaire components, such as reflectors, refractors, lenses, sockets, lamp holders, and LEDs are made from various types of plastics which can be adversely affected by airborne contaminants. If sulfur based chemicals, petroleum based products, cleaning solutions, or other contaminants are expected in the intended area of use, consult factory for compatibility



2EVSG EvoSeal recessed 2x4

up to 15,000 lumens

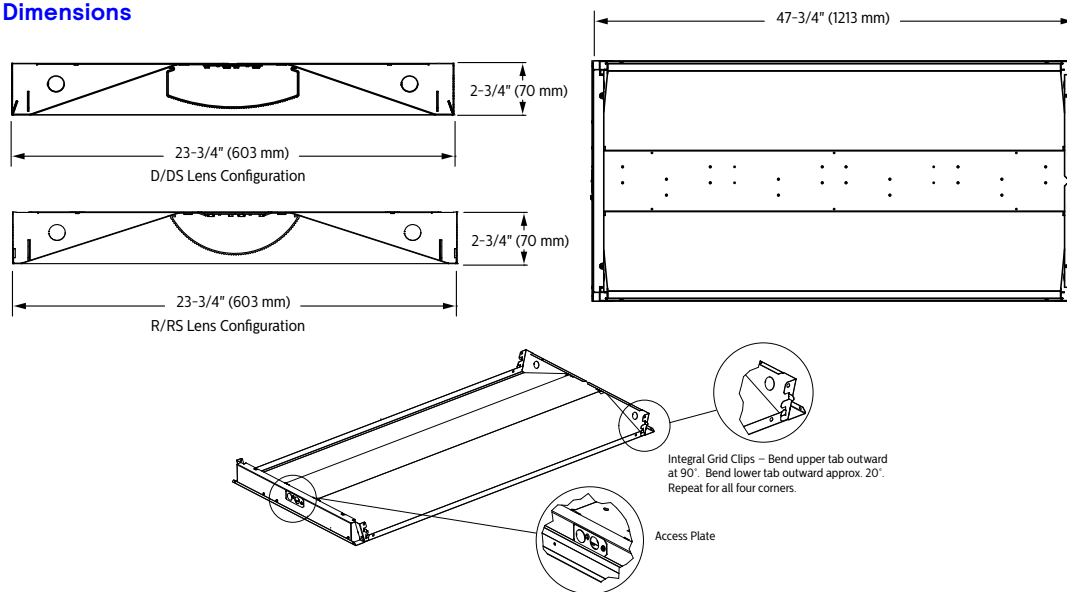
Ordering guide – DALI Controls

(Tunable White and BioUp Cyan Enhanced)

Example: 2EVSG30L9TW-4-187CP-D-UNV-DIM-SWZCS/RM

Width	Family	Ceiling Type	Lumens (nominal delivered)	Color Temperature	Length	Center Diffuser
<input type="text" value="2"/>	<input type="text" value="ES"/>	<input type="text" value="G"/>			<input type="text" value="4"/>	
2 2ft	ES EvoSeal	G Grid	30L 3000 35L 3500 40L 4000 45L 4500 Note: BIO not available on 45L lumen output	9TW 90CRI, 2700K thru 6500K tunable white BIO BioUp Cyan Enhanced Tunable White Notes: BIO not available on 45L lumen output. Tunable White and BioUp must always have a sensor SWZCS/RM or Radio/RM	4 4ft	D Diffuse (opal) DS Diffuse smooth (opal) R Diffuse round ribbed (opal) RS Diffuse round smooth (opal)
Voltage	Driver	Options				
<input type="text" value="UNV"/>	<input type="text"/>					
UNV Universal Voltage, 120-277 volt	DIM ¹ Dimming Driver	GLR Fusing, fast blow BSL10LST Bodine 10W selftesting battery pack BSL6LST Bodine 6W selftesting battery pack SWZCS/RM^{2,3,8} Remote Mount Interact Pro scalable sensor with integral daylight & occupancy sensing, advanced grouping with dwell time RADIO/RM^{2,8} Remote Mount Interact Pro RF sensor, enables wireless connected lighting control BAC¹⁰ Meets the requirements of the Buy American Act of 1933 (BAA)				

Dimensions



2EVSG EvoSeal recessed 2x4

up to 15,000 lumens

Application

- A highly efficient, visually comfortable, architecturally styled recessed LED luminaire designed with a minimalistic strategy to achieve sustainable objectives.
- Low profile configuration, requiring minimal plenum space.
- Soft opal diffuser with large luminous area minimizes apparent brightness and provides high visual comfort perfect for a wide variety of general lighting applications like offices, schools, retail, or healthcare.
- Multiple lumen packages over a wide range to provide significant application flexibility over light levels and/or luminaire spacing.
- Directs a controlled amount of light to the higher angles in the room to balance the brightness of the surfaces and eliminate "cave effect" while creating the impression of a larger, brighter space without glare.
- Excellent color rendering with 90 CRI AccuRender LEDs
- Optional Tunable White and cyan-enhanced BioUp human-centric lighting options
- Designed for use with standard Grid (NEMA "G") or Narrow Grid (NEMA "NFG") ceiling T-bars.
- Drywall or plaster requirements with DFW24 drywall kit (sold separately)

Construction/Finish

- Simplified center basket design under 3" in depth.
 - Steel housing construction.
 - Choice of multiple center diffuser lenses.
 - Choice of clear acrylic or polycarbonate bottom lens to protect against ingress or abuse.
- Luminaire finish is matte white polyester for a high quality, durable finish.
- T-bar grid clips are integral to body.

Energy data

Luminaire	Lumens	Input Power	Efficacy
2ESG30L940-4-125CA-D	3035	20.3	150
2ESG40L940-4-125CA-D	4199	28	149
2ESG50L940-4-125CA-D	5142	35	147
2ESG60L940-4-125CA-D	6022	42	142
2ESG70L940-4-125CA-D	7055	48	147
2ESG80L940-4-125CA-D	8099	55	147
2ESG90L940-4-125CA-D	8844	62	143
2ESG100L940-4-125CA-D	9878	73	135
2ESG110L940-4-125CA-D	11113	75	148
2ESG120L940-4-125CA-D	12107	89	137
2ESG130L940-4-125CA-D	13106	99	132
2ESG150L940-4-125CA-D	14687	114	129

Bottom Lens Multipliers		CCT Multipliers	
Lens	Multiplier	Diffuser	Multiplier
125CA	1.000	930	0.950
125CP	0.980	935	0.960
187CP	0.940	940	1.000
250CP	0.930	950	1.000

Electrical

- LED driver is accessible from above.
- Luminaire Efficacies up to 138 LPW
- Emergency driver is accessible from above. To estimate lumen output in emergency mode, multiply emergency pack wattage by efficacy, then by 1.10. Typical lumen output exceeds 1300lm for EMLED.
- The GTD/E option is used to bypass wall switches and allow luminaire operation on auxiliary power. Generator transfer requires installation in conjunction with a UL1008 listed device.
- The GTD/SNSR option is used to bypass integrated sensor control in the event of utility power loss. Generator transfer requires installation in conjunction with a UL1008 listed device.
- Step dim 100/40% and additional dimming options available.
- 5 year manufacturer's limited warranty. Visit signify.com/warranties for complete warranty information.
- TM-21 predicted L70 lumen maintenance up to 90,000 hours.
- cETLus listed to UL and CSA standards, suitable for wet locations.

Compliance

- cETLus listed to UL and CSA standards, suitable for wet locations.
- IP65 rated for dust and liquid ingress protection from below
- NSF Non-Food Splash Zone rated
- ISO5-8 cleanroom rated
- IK10 rated for polycarbonate lenses

Wired Controls Options

Interact Office Wired (PoE), Static White & Tunable White

- PoE based IoT connected lighting solution for large enterprises that span across multiple floors, buildings and require multiple gateways.
- Use Interact Office software and insights to increase building efficiency, achieve building wide integration and optimize space through occupancy analytics.
- Human centric lighting through tunable white technology - Dynamic behaviors via scheduled lighting recipes mimicking daylight patterns or supporting biorhythms.
- IAOSB option in addition to occupancy and daylight sensing supports advanced IoT capabilities such as people estimation analysis, desk level temperature & humidity sensing, noise classification, and BLE beacon.
- PoE lighting controller is accessible from below.
- Integral sensor option for occupancy sensing (PIR) and/or daylight harvesting available for additional energy savings.
- Optional integral emergency controller and battery pack provides 600lm nominal output. Test switch and indicator light mounted on side of chassis on one end.
- Emergency battery has a 3 month pre-installed shelf life, and must be stored and installed in environments of 20C to 30C (-4F to 86F) ambient, and 45-85% relative humidity.
- For more information on Interact Office Wired, visit: www.interact-lighting.com/office or www.usa.lighting.philips.com/systems/system-areas/offices

Tunable White with DALI

- Signify tunable white solutions are designed to help maximize the influence of lighting on your daily life.
- Dynamic behaviors via scheduled lighting recipes mimicking daylight patterns or supporting biorhythms.
- Scene setting via lighting pre-sets based on various combinations of lighting color temperature and intensity.

www.usa.lighting.philips.com/products/product-highlights/tunable-white-technology

2EVSG EvoSeal recessed 2x4

up to 15,000 lumens

interact

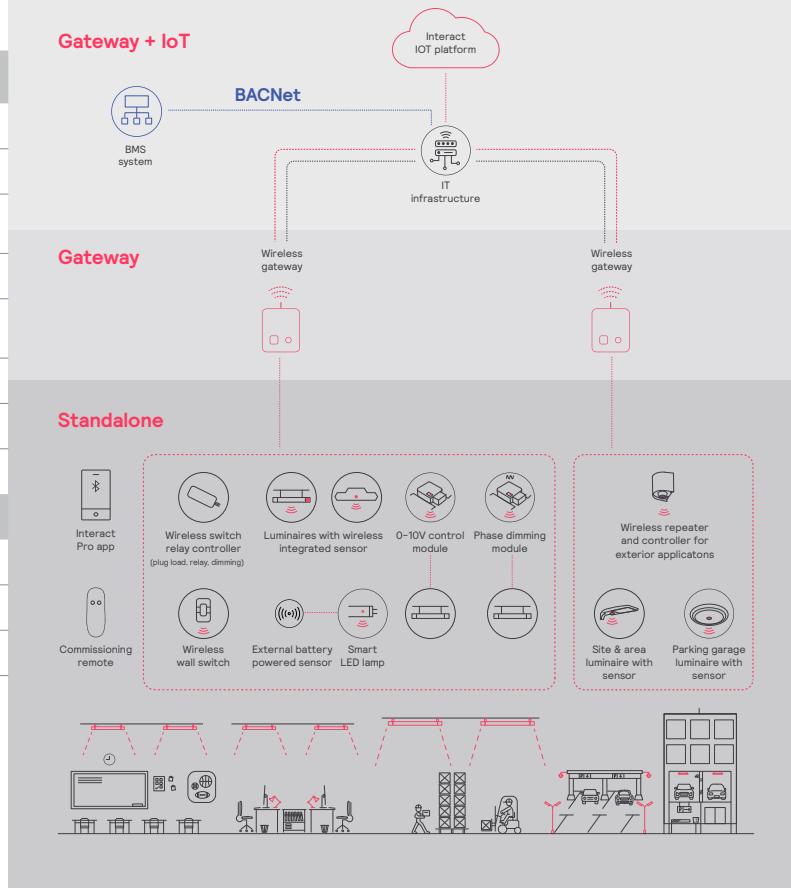
	Interact system		
	Standalone	Gateway	Gateway + IoT
Dimming, grouping, and zoning	✓	✓	✓
Bluetooth and ZigBee enabled	✓	✓	✓
Motion sensing and daylight harvesting	✓	✓	✓
Integration with 0-10V and phase dimming fixtures	✓	✓	✓
Code compliance	✓	✓	✓
Granular dimming and dwell time	✓	✓	✓
New Correlated color temperature (CCT) tuning by switch	✓	✓	✓
New Support for sensor-based Tunable White luminaires	✓	✓	✓
Energy reporting and monitoring		✓	✓
Scheduling		✓	✓
Demand response		✓	✓
BMS integration (BACnet)			✓
Floor plan visualization			✓
IoT sensors for wellness			✓
IoT Apps for productivity			✓

Currently supported maximum system size

To be able to design the lighting system correctly for the customer, it is important to know the prime characteristics of the system, its possibilities and limitations.

System level	
Total number of gateways	Unlimited
Total number of devices	200 per network
• luminaires with integrated sensors	150
• smart TLEDs	150
Total number of ZGP devices (sensors and switches)	50
• sensors	30
• switches	50
• zones and groups	64
Group level	
Recommended number of lights	40 (recommended 25)
Number of ZGP devices	5
Number of scenes	16

Interact system architecture for office, education, healthcare, retail and industrial applications



2EVSG EvoSeal recessed 2x4

up to 15,000 lumens

Wireless Controls Options

Emergency Options (ER100)

- Power Sensing (Factory default) – Recommended UL924 option requires unswitched power sense line, absence of voltage on the normal circuit triggers luminaire to 100% output
- Power Interruption Detection (Field option) – Detects AC power interruption >30ms triggers 90 minute emergency mode with luminaire at 100% output

Interact Pro scalable sensor for Foundation, Advanced & Enterprise tiers (SWZCS and an evolution of SpaceWise)

- SWZCS is a connected sensor with integral occupancy and daylight sensing and supports wireless mesh connectivity.
- The sensor works in the Foundation mode (similar to SpaceWise) when configured without a gateway or in an Interact Pro Advanced or Enterprise mode if a compatible gateway is used.
- Interact Pro includes an App, a portal and a broad portfolio of wireless luminaires, lamps and retrofit kits all working on the same system.
- Startup is implemented via Interact Pro App (Android or iPhone) & Bluetooth connectivity. The App provides flexibility to choose between a gateway or non gateway mode for setup.
- Setup with the gateway requires wired internet access to the gateway. It is possible to add a gateway at a later point.
- Prepare project configuration steps remotely and use IRT9015 remote onsite to identify and group devices together.
 - Compatible with:

SWS200 wireless scene switch

- Battery powered IP42 presence sensor OCC sensor IA CM WH 10/1
- Battery powered IP42 presence & daylight sensor OCC-DL sensor IA CM IP42 WH
- LCN3110: Battery powered IP65 presence sensor, OCC sensor IA CM IP65WH
- LCN3120: Battery powered IP65 presence & daylight sensor, OCC-DL sensor IA CM IP65 WH

- For more information on Interact Pro visit:

www.interact-lighting.com/interactproscalablesystem

Radio only sensor (RADIO)

- Integral RADIO only sensor simply enables wireless mesh connectivity to the luminaire without any occupancy or daylight sensing.
- Ideal for applications where sensing functionality is managed by other Interact devices and the luminaire only needs to have wireless connectivity.

Interact Pro scalable sensor bundles for Enterprise tier

- IAOSB option in addition to occupancy and daylight sensing supports advanced IoT capabilities such as people estimation analysis, desk level temperature & humidity sensing, noise classification, and BLE beacon.
- Compatible with SWS200 wireless scene switch and Interact Ready wireless battery powered sensors.
- Use Interact software and insights to increase building efficiency, achieve building wide integration and optimize space through occupancy analytics.
- Requires compatible Gateway and internet connectivity for commissioning.
- For more information, visit:

www.interact-lighting.com/office or

www.usa.lighting.philips.com/systems/system-areas/offices