



Incredible efficacy & boundless lighting choices mean the re-engineered **Sona** wall LED is destined to become a future classic. Flexible up/down distributions and tailored LED optics mean you always have the right light for every task.

Project: _____

Location: _____

Cat.No: _____

Type: _____

Line ID: _____ Qty: _____

Notes: _____

Ordering guide

example: 7708LCEVA047DEW

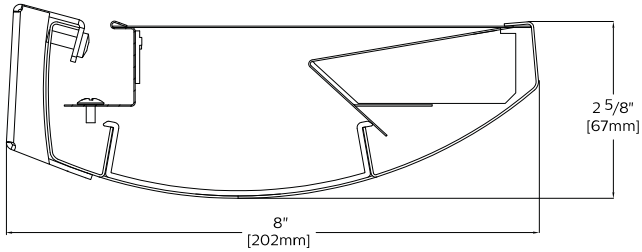
Family	Version	Mount & Type	Source	CRI/CCT ¹	Lumens ¹	Optics & Distribution ¹	Run Length	Wiring ²
77			L					
77 Sona	0 One Light Engine - Upper 1 One Light Engine - Lower	8 Wall Asymmetric (70% Up)	L LED	A 80CRI/4000K B 80CRI/3500K C 80CRI/3000K	C 4500 lm/4ft E 3200 lm/4ft G 2100 lm/4ft C 4700 lm/4ft E 3400 lm/4ft G 2200 lm/4ft	AA Acrylic Diffusers VA White Louvers / Acrylic Diffuser AN Acrylic Diffuser / Solid Housing VN White Louvers / Solid Housing AG Acrylic Diffusers (80% Down) VG White Louvers / Acrylic Diffuser (80% Down)	04 4ft 08 8ft xx Continuous Run (4ft increments)	7 1cct Dimming E 2cct A/B Dimming (Alt. 4ft sections) M 1cct Dimming + EM Wiring N 1cct Dimming + EM Batt. Pack
Voltage		Driver		Finish				
D UNV 120-277V 3 347V		E Advance 0-10V (1% Dim)		W Standard White T Titanium Silver B Black C Custom				

1. Nominal values within a range. Consult photometry data for CRI, color temp, lumens & distribution of chosen configuration.
 2. Not all wiring types are available with all configurations. Consult Ledalite for a complete list of available options.

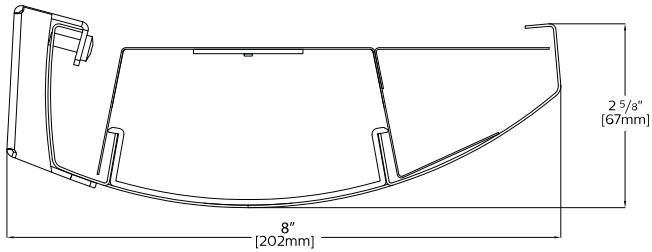
Sona linear wall

Cross Section View

7708

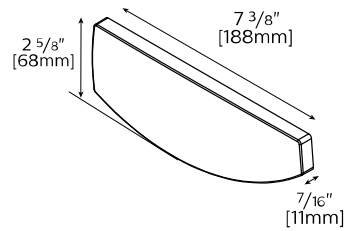


7718

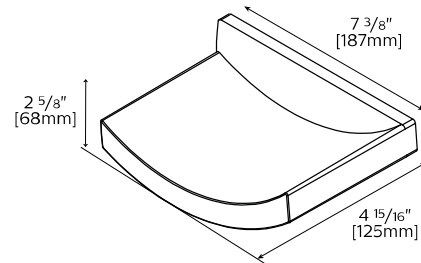


Endcaps

F - Flat

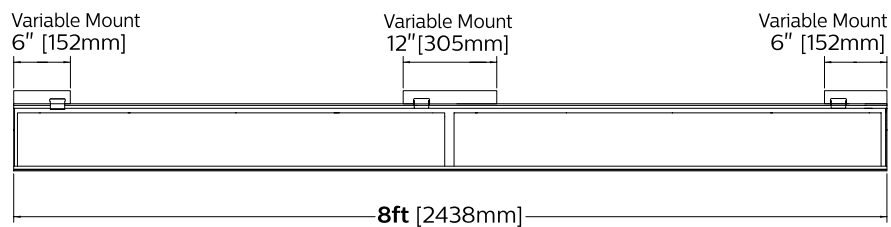
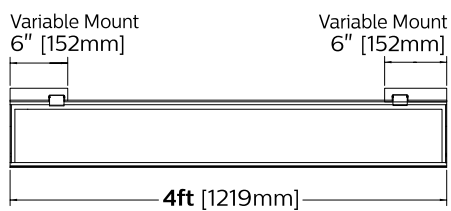


S - Sculpted (standard)



Module Details & Dimensions

Wall Mount - Top View, No Endcaps



Sona linear wall

Specifications

Optical System

1 Light Engine Upper: Lateral-facing LED arrays deliver light into both the upper and lower hemispheres, giving a highly efficient, native 70% up / 30% down distribution with a wide, homogeneous upper batwing distribution. A fully indirect version with a solid lower housing can be specified, as well as a 50% down-light kit option.

1 Light Engine Lower: A downward-facing LED array aims light into the lower hemisphere, for a highly efficient, fully direct distribution or optional 80% down version.

Lenses: On the upper surface an engineered diffuser smooths the light distribution on the ceiling and acts as a dust cover. On the lower surface, two 4" wide optics are available: either a curved, engineered acrylic diffuse lens flush to the housing; or a white louver with regressed diffuser for improved high angle cut-off and visual comfort.

Endcaps

Diecast aluminum endcaps, either Sculpted (curved) or optional Flat.

Finish

High quality powder coated, available in matte white, black or titanium silver. Other custom colors, including pacific aqua, are available on request. White sensors only.

Housing

Precision formed 18 gauge cold-rolled steel. Cross section size (approx.): 2.6"h x 9"w (suspended) or 7.4"w (wall mount).

Weight

Maximum: Suspended 4.9lb/ft, Wall 3.4lb/ft

Electrical

Factory pre-wired to section ends with quick-wire connectors.

Standard Drivers

Advance Xitanium 0-10V, 1-100%. Class 2 rated output. Consult Ledalite for other available drivers.

Standard Battery Pack

Bodine, 90 min, 10W, Class 2 rated output, Emergency lumen output = 10W x luminaire efficacy x 1.1. Typical output: suspended 1400lm, wall 1200lm.

Lumen Maintenance

LEDs have been tested by the manufacturer in accordance with IESNA LM-80-08. At an ambient temperature of 25°C, the LED lumen maintenance expectation according to IES TM-21-11 is: L80 (12k) >72,000 hrs (Reported methodology) L80 (12k) 110,000 hrs (Projected methodology).

Source Color

LEDs rated for color rendering CRI >80, R9 >0 and fixture to fixture color accuracy within 3 SDCM.

Mounting

Wall: A hidden steel rail and bracket system attaches to the existing structure and supports housings close to the wall. Mount positioning is fully variable along the modules to accommodate site conditions, spaced up to 4'-1/2' on center and within 6" of an end or joint.

Joints

Self-aligning, gasketed joining system with hands-free wiring feature.

Approvals

Certified to UL, CSA and IES standards. Most suspended versions (except 1 light chamber down with louver) are DesignLights Consortium® qualified. Please see the DLC QPL list for exact catalog numbers (www.designlights.org/QPL).

Warranty

Signify indoor professional luminaires 5 year LED warranty: www.signify.com/warranties.

Environment

Rated for dry or damp locations in operating ambient temperatures 0-40°C (32-104°F). Certain luminaire components may be adversely affected by contaminants. Damage caused by sulfur, chlorine, petroleum based solutions or other contaminants in the area of operation are not covered under warranty. Not suitable for natatorium environments.

Sona linear wall

Photometrics

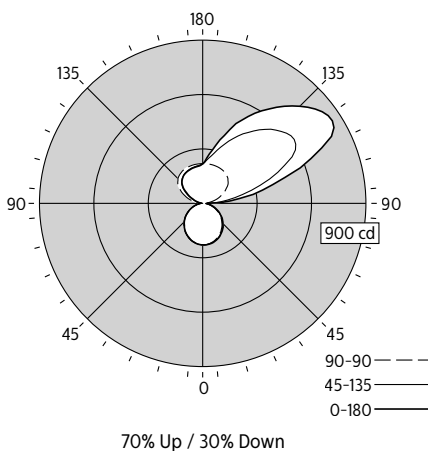
One Light Engine Upper - Wall Asymmetric

(Click "IES" text to Download)

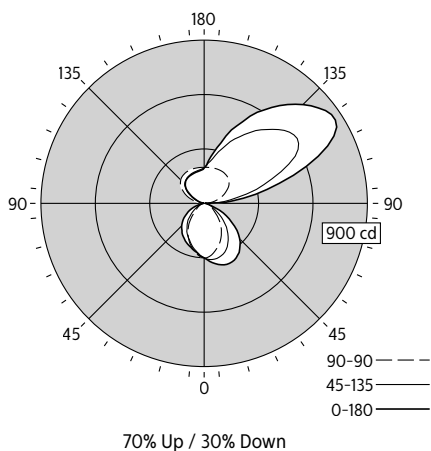
Optics	Lumen Package	Nominal CRI & CCT	Flux (lm)	Watts (W)	Efficacy (LPW)	CRI	R9	Distribution	RP-1 VDT	DLC*	IES File
Acrylic Diffusers AA	4500 lm/4ft	80CRI, 4000K	4652	40.2	115.7	84	11	70% Up / 30% Down	Normal spaces	N/A	IES
		80CRI, 3500K	4554	40.2	113.3	83	9	70% Up / 30% Down	Normal spaces	N/A	IES
		80CRI, 3000K	4375	40.2	108.8	84	11	70% Up / 30% Down	Normal spaces	N/A	IES
	3200 lm/4ft	80CRI, 4000K	3332	271	123.0	84	11	70% Up / 30% Down	Critical spaces	N/A	IES
		80CRI, 3500K	3262	271	120.4	83	9	70% Up / 30% Down	Critical spaces	N/A	IES
		80CRI, 3000K	3135	271	115.7	84	11	70% Up / 30% Down	Critical spaces	N/A	IES
	2100 lm/4ft	80CRI, 4000K	2175	171	127.2	84	11	70% Up / 30% Down	Critical spaces	N/A	IES
		80CRI, 3500K	2130	171	124.6	83	9	70% Up / 30% Down	Critical spaces	N/A	IES
		80CRI, 3000K	2047	171	119.7	84	11	70% Up / 30% Down	Critical spaces	N/A	IES
White Louvers / Acrylic Diffuser VA	4500 lm/4ft	80CRI, 4000K	4560	40.2	113.4	84	11	70% Up / 30% Down	Normal spaces	N/A	IES
		80CRI, 3500K	4463	40.2	111.0	83	9	70% Up / 30% Down	Normal spaces	N/A	IES
		80CRI, 3000K	4287	40.2	106.6	84	11	70% Up / 30% Down	Normal spaces	N/A	IES
	3200 lm/4ft	80CRI, 4000K	3266	271	120.5	84	11	70% Up / 30% Down	Critical spaces	N/A	IES
		80CRI, 3500K	3198	271	118.0	83	9	70% Up / 30% Down	Critical spaces	N/A	IES
		80CRI, 3000K	3073	271	113.4	84	11	70% Up / 30% Down	Critical spaces	N/A	IES
	2100 lm/4ft	80CRI, 4000K	2132	171	124.7	84	11	70% Up / 30% Down	Critical spaces	N/A	IES
		80CRI, 3500K	2088	171	122.1	83	9	70% Up / 30% Down	Critical spaces	N/A	IES
		80CRI, 3000K	2006	171	117.3	84	11	70% Up / 30% Down	Critical spaces	N/A	IES

*DLC is only available with Advance 0-10V (1% dim) drivers. EM Batt. Packs are also not available on DLC. EM Batt. Packs are also not available on DLC.

AA - Acrylic Diffusers



VA - White Louvers / Acrylic Diffuser



*Candela shown is for 2100 lm/4ft, 3500K, 80 CRI configuration.

Sona linear wall

Photometrics

One Light Engine Lower - Wall Direct

(Click "IES" text to Download)

Optics	Lumen Package	Nominal CRI & CCT	Flux (lm)	Watts (W)	Efficacy (LPW)	CRI	R9	Distribution	RP-1 VDT	DLC*	IES File
Acrylic Diffuser / Solid Housing AN	4700 lm/4ft	80CRI, 4000K	4830	42.5	113.6	83	6	2% Up / 98% Down	N/A	Standard	IES
		80CRI, 3500K	4714	42.5	110.9	82	3	2% Up / 98% Down	N/A	Standard	IES
		80CRI, 3000K	4469	42.5	105.2	82	2	2% Up / 98% Down	N/A	Standard	IES
	3400 lm/4ft	80CRI, 4000K	3494	30.1	116.1	83	6	2% Up / 98% Down	N/A	Standard	IES
		80CRI, 3500K	3410	30.1	113.3	82	3	2% Up / 98% Down	N/A	Standard	IES
		80CRI, 3000K	3232	30.1	107.4	82	2	2% Up / 98% Down	N/A	Standard	IES
	2200 lm/4ft	80CRI, 4000K	2280	19.3	118.1	83	6	2% Up / 98% Down	N/A	Standard	IES
		80CRI, 3500K	2226	19.3	115.3	82	3	2% Up / 98% Down	N/A	Standard	IES
		80CRI, 3000K	2110	19.3	109.3	82	2	2% Up / 98% Down	N/A	Standard	IES
White Louver / Solid Housing VN	4700 lm/4ft	80CRI, 4000K	4167	42.5	98.0	83	6	2% Up / 98% Down	N/A	N/A	IES
		80CRI, 3500K	4068	42.5	95.7	82	3	2% Up / 98% Down	N/A	N/A	IES
		80CRI, 3000K	3856	42.5	90.7	82	2	2% Up / 98% Down	N/A	N/A	IES
	3400 lm/4ft	80CRI, 4000K	3014	30.1	100.1	83	6	2% Up / 98% Down	Normal spaces	N/A	IES
		80CRI, 3500K	2941	30.1	97.7	82	3	2% Up / 98% Down	Normal spaces	N/A	IES
		80CRI, 3000K	2790	30.1	92.7	82	2	2% Up / 98% Down	Normal spaces	N/A	IES
	2200 lm/4ft	80CRI, 4000K	1967	19.3	101.9	83	6	2% Up / 98% Down	Normal spaces	N/A	IES
		80CRI, 3500K	1920	19.3	99.5	82	3	2% Up / 98% Down	Normal spaces	N/A	IES
		80CRI, 3000K	1821	19.3	94.4	82	2	2% Up / 98% Down	Normal spaces	N/A	IES
Acrylic Diffusers (80% Down) AG	4700 lm/4ft	80CRI, 4000K	5220	42.1	124.0	83	6	21% Up / 79% Down	N/A	N/A	IES
		80CRI, 3500K	5095	42.1	121.0	82	3	21% Up / 79% Down	N/A	N/A	IES
		80CRI, 3000K	4830	42.1	114.7	82	2	21% Up / 79% Down	N/A	N/A	IES
	3400 lm/4ft	80CRI, 4000K	3776	29.8	126.7	83	6	21% Up / 79% Down	N/A	N/A	IES
		80CRI, 3500K	3685	29.8	123.7	82	3	21% Up / 79% Down	N/A	N/A	IES
		80CRI, 3000K	3494	29.8	117.2	82	2	21% Up / 79% Down	N/A	N/A	IES
	2200 lm/4ft	80CRI, 4000K	2464	19.1	129.0	83	6	21% Up / 79% Down	N/A	N/A	IES
		80CRI, 3500K	2406	19.1	126.0	82	3	21% Up / 79% Down	N/A	N/A	IES
		80CRI, 3000K	2281	19.1	119.4	82	2	21% Up / 79% Down	N/A	N/A	IES
White Louvers / Acrylic Diffuser (80% Down) VG	4700 lm/4ft	80CRI, 4000K	4740	42.5	111.5	83	6	27% Up / 73% Down	N/A	N/A	IES
		80CRI, 3500K	4626	42.5	108.8	82	3	27% Up / 73% Down	Normal spaces	N/A	IES
		80CRI, 3000K	4386	42.5	103.2	82	2	27% Up / 73% Down	Normal spaces	N/A	IES
	3400 lm/4ft	80CRI, 4000K	3428	30.1	113.9	83	6	27% Up / 73% Down	Normal spaces	N/A	IES
		80CRI, 3500K	3345	30.1	111.1	82	3	27% Up / 73% Down	Normal spaces	N/A	IES
		80CRI, 3000K	3173	30.1	105.4	82	2	27% Up / 73% Down	Normal spaces	N/A	IES
	2200 lm/4ft	80CRI, 4000K	2237	19.3	115.9	83	6	27% Up / 73% Down	Normal spaces	N/A	IES
		80CRI, 3500K	2184	19.3	113.2	82	3	27% Up / 73% Down	Normal spaces	N/A	IES
		80CRI, 3000K	2071	19.3	107.3	82	2	27% Up / 73% Down	Critical spaces	N/A	IES

*DLC is only available with Advance 0-10V (1% dim) drivers. EM Batt. Packs are also not available on DLC.

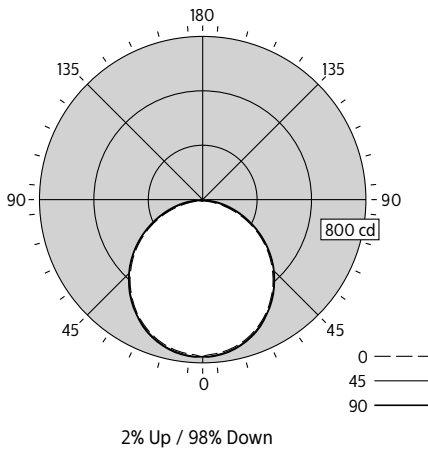
(following on page 6)

Sona linear wall

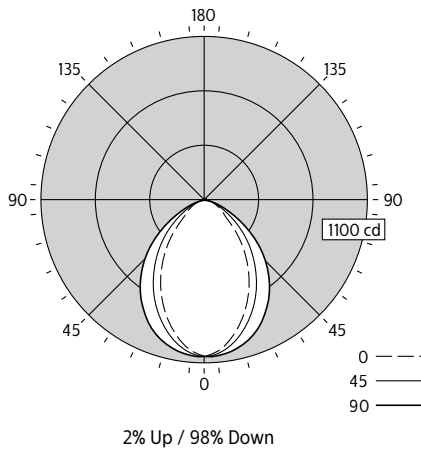
Photometrics (cont'd from page 5)

One Light Engine Lower - Wall Asymmetric

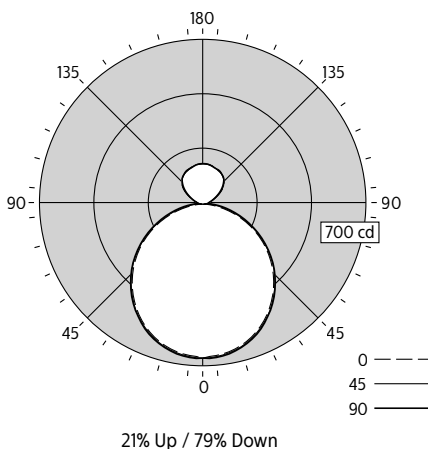
AN - Acrylic Diffuser / Solid Housing



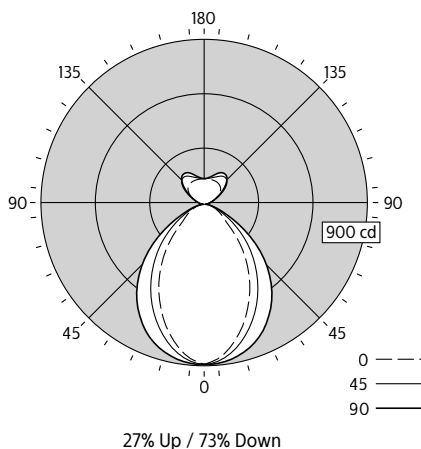
VN - White Louvers / Solid Housing



AG - Acrylic Diffusers (80% Down)



VG - White Louvers / Acrylic Diffuser (80% Down)



*Candela shown is for 2200 lm/4ft,
3500K, 80 CRI configuration.

