

Project: _____

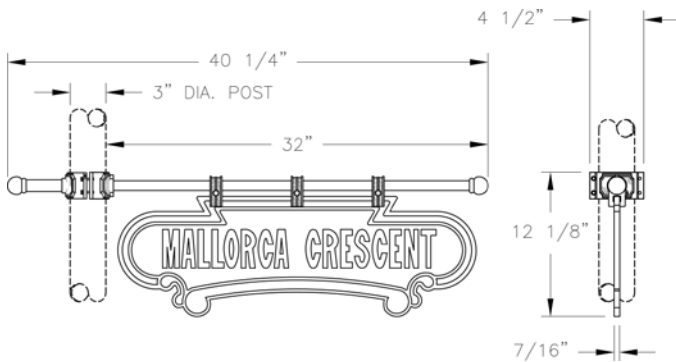
Location: _____

Cat.No: _____

Type: _____

Lamps: _____ Qty: _____

Notes: _____



Ordering Guide

Example: 189 3 R ABS A B BLK 17

Product Code	189	Street Sign
Fitter Size	3 4	3" Round 4" Round
Lettering	R V	Raised Vinyl
Finish	ABS ACP ARD ASI BLK BRN BRZ FGN GRA IRN RBZ SRT VBZ VCP VGN VTC WBZ WHT	Antique Brass Antique Copper Antique Red Antique Silver Black Brown Bronze Forest Green Granite Ironstone Rustic Bronze Shadow Rust Verde Bronze Verde Copper Verde Vintage Copper Weathered Bronze White
Print	A B C D N	Single Sided Double Sided Reflective Single Sided Reflective Double Sided None
Vinyl Lettering Style	B C S N	Block *1 Clarendon Script *1 None
Letter Color	BLK GLD WHT N	Black Gold White None
Wording	17	Spaces (17)

*1 Vinyl Lettering Style Only

Specifications

CONSTRUCTION:

Turned aluminum knob. Cast aluminum 30" x 10" sign attached to arm with cast aluminum clamp-on brackets. (Sign has 27 3/4" x 4" lettering area on both sides.) Solid cast aluminum ladder rest. Sign is cast with raised border numbers or letters both sides are painted or vinyl.

FINISH:

Resilient TGIC thermoset polyester powdercoat paint is electrostatically applied to every fixture. Specially formulated for Philips Outdoor Lighting, it provides UV protection, and the highest temperature rating in the industry. In addition to the standard color choices shown, a spectrum of custom colors is available.

MOUNTING:

Clamps onto a 3" or 4" dia. post. (Post must be ordered separately.)

189 Accessories

Street sign

Specifications

WARRANTY:

Three-year limited warranty.

Height:

12 1/8"

Width:

40 1/4"

