

Day-Brite

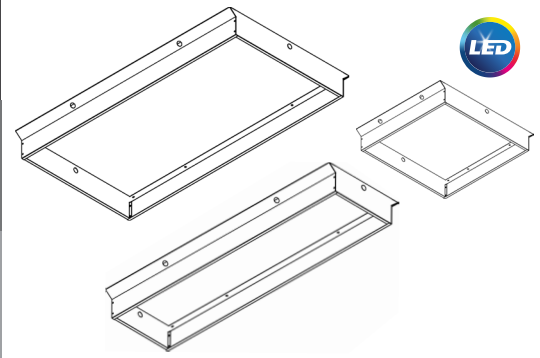
CFI

by Signify

Surface

Field Surface Kit

4" Deep Field Surface Frame



Day-Brite / CFI 4" deep field surface frame is ideal for renovations and new construction opportunities where surface mounting is a necessity. The FSF4 allows for standard recessed luminaires to be adapted for surface installation. The FSF4 is a simple, time saving solution for surface mounting applications.

Project: _____
Location: _____
Cat.No: _____
Type: _____
Lamps: _____ Qty: _____
Notes: _____

Ordering guide

Catalog number

FSF414	1' x 4' x 4" field installed surface frame accessory.
FSF422	2' x 2' x 4" field installed surface frame accessory.
FSF424	2' x 4' x 4" field installed surface frame accessory.

Product families compatible with the FSF4

Family	Comment
ClearAppeal	2x2 with emergency requires frame to be removed for access to battery pack.
SofTrace	2x2 with emergency requires frame to be removed for access to battery pack.
FormFlex	2x2 with emergency requires frame to be removed for access to battery pack.

Application

- Designed for use with most configurations from ClearAppeal Gen2, SofTrace Gen2, and FormFlex product families
- 4-3/4" (121mm) overall depth with architectural profile

Construction/Finish

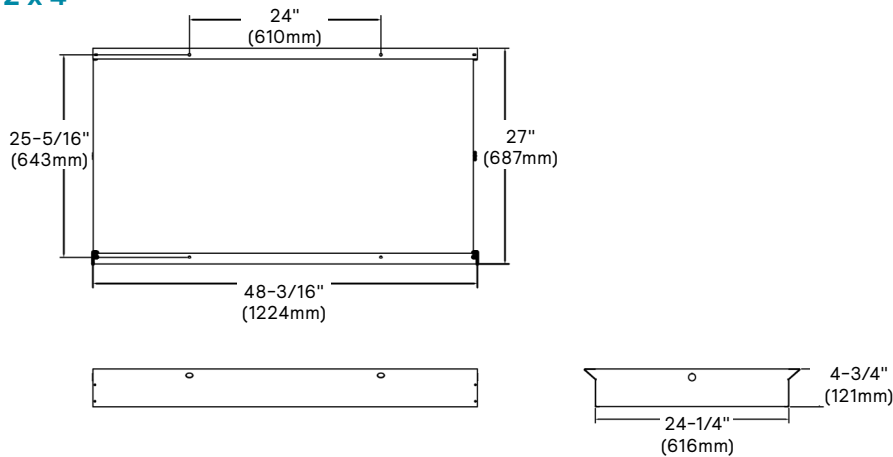
- Field assembled frame (fasteners provided)
- Painted after fabrication white polyester powder coat
- Mounting holes provided in perimeter (4) allow for affixing to ceiling substrate from below
- 3/4" knockout on each end plate allow for continuous row mounting

FSF4 Field surface frame

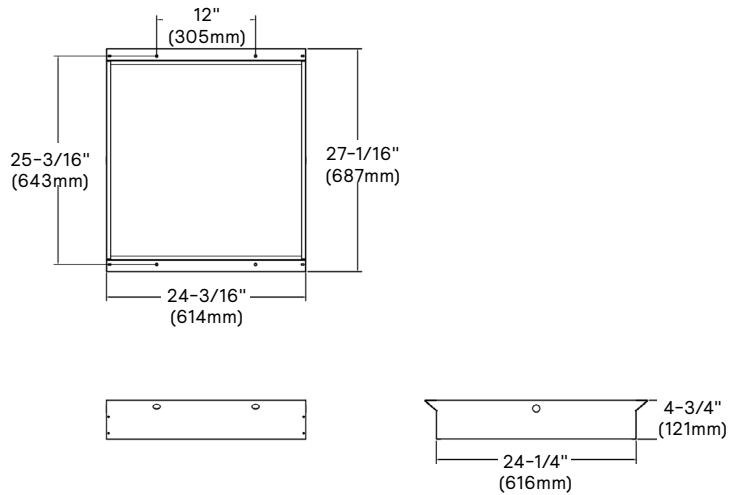
Accessory

Dimensions

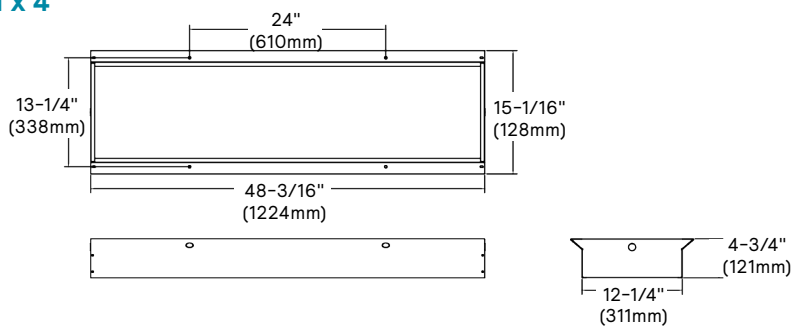
2 x 4



2 x 2



1 x 4



© 2020 Signify Holding. All rights reserved. The information provided herein is subject to change, without notice. Signify does not give any representation or warranty as to the accuracy or completeness of the information included herein and shall not be liable for any action in reliance thereon. The information presented in this document is not intended as any commercial offer and does not form part of any quotation or contract, unless otherwise agreed by Signify.

Signify North America Corporation
200 Franklin Square Drive,
Somerset, NJ 08873
Telephone 855-486-2216

Signify Canada Ltd.
281 Hillmount Road,
Markham, ON, Canada L6C 2S3
Telephone 800-668-9008

All trademarks are owned by Signify Holding or their respective owners.