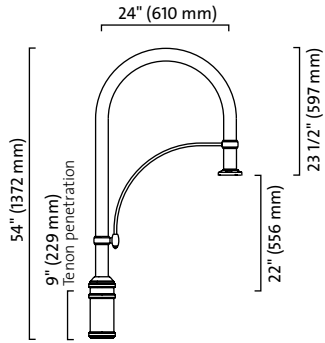


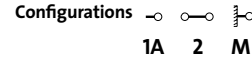
BM

EPA: 2.00 sq.ft. **Weight:** 40.0 lbs. (18.1 kg)



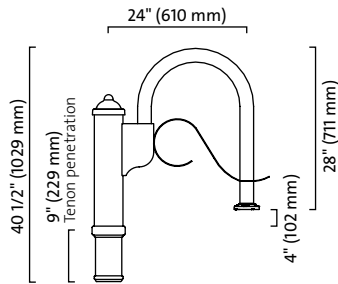
Specifications:

The **BM** mounting arm features a 2 3/8" O.D. (60 mm) extruded-aluminum tube bent at 180° welded to a cast-aluminum adaptor.
The mounting arm includes an aluminum decorative element welded to the arm.
The luminaire adaptor will accept a luminaire equipped with Lumeç's four-bolt mounting system.
The aluminum central pole adaptor slip-fits 9" (229 mm) over a 4" (102 mm), 5" (127 mm) or 5 9/16" (141 mm) O.D. pole or tenon.



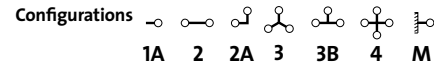
LM

EPA: 2.59 sq.ft. **Weight:** 21.0 lbs. (9.5 kg)



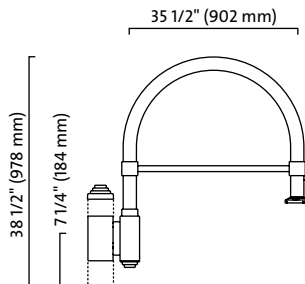
Specifications:

The **LM** mounting arm features a 2 3/8" O.D. (60 mm) extruded-aluminum tube bent at 180° welded to a cast-aluminum adaptor.
The mounting arm includes a flat rolled aluminum decorative element.
The luminaire adaptor will accept a luminaire equipped with Lumeç's four-bolt mounting system.
The aluminum central pole adaptor slip-fits 9" (229 mm) over a 4" (102 mm), 5" (127 mm) or 5 9/16" (141 mm) O.D. pole or tenon.



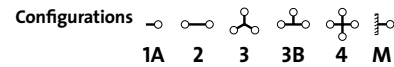
TM

EPA: 2.27 sq.ft. **Weight:** 20.0 lbs. (9.1 kg)



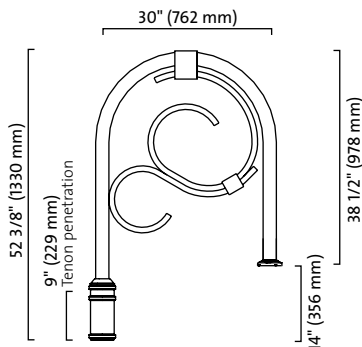
Specifications:

The **TM** mounting arm features a 2 3/8" O.D. (60 mm) extruded-aluminum tube bent at 180° and welded to a pole adaptor.
The mounting arm includes an extruded-aluminum 1 1/16" (27 mm) O.D. decorative element welded to the arm.
The luminaire adaptor will accept a luminaire equipped with Lumeç's four-bolt mounting system.
The aluminum central pole adaptor slip-fits over a 4" (102 mm), 5" (127 mm) or 5 9/16" (141 mm) O.D. pole.



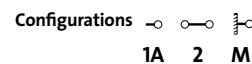
NM

EPA: 2.81 sq.ft. **Weight:** 27 lbs. (12.3 kg)



Specifications:

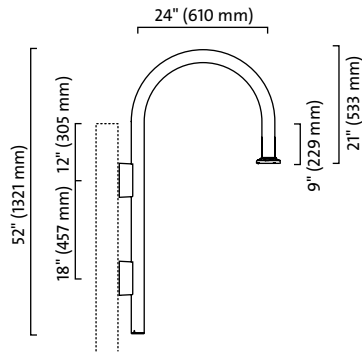
The **NM** mounting arm features a 2 3/8" O.D. (60 mm) extruded-aluminum tube bent at 180°, welded to a cast-aluminum pole adaptor.
The mounting arm includes a cast-aluminum decorative spiral element welded to the arm.
The luminaire adaptor will accept a luminaire equipped with Lumeç's four-bolt mounting system.
The aluminum central pole adaptor slip-fits 9" (229 mm) over a 4" (102 mm), 5" (127 mm) or 5 9/16" (141 mm) O.D. pole or tenon.



CN5 / IF / SM / MJ > GOOSE NECK BRACKETS

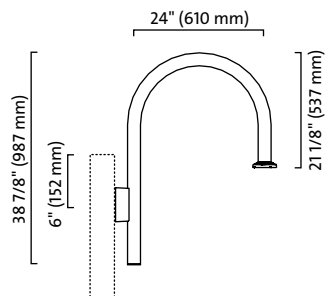
CN5

EPA: 1.81 sq.ft. Weight: 11.0 lbs. (5.0 kg)



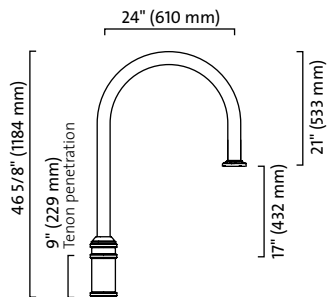
IF

EPA: 1.41 sq.ft. Weight: 9.0 lbs. (4.0 kg)



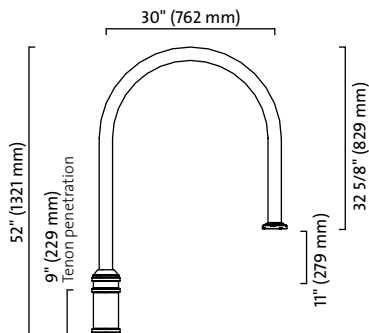
SM

EPA: 1.37 sq.ft. Weight: 13.0 lbs. (5.9 kg)



MJ

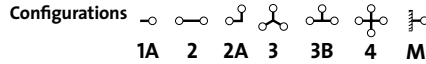
EPA: 2.00 sq.ft. Weight: 13.0 lbs. (5.9 kg)



Specifications:

The CN5 mounting arm features a 2 3/8"-O.D. (60 mm) extruded-aluminum tube bent at a 180° angle and mechanically assembled to the side of the pole using two cast-aluminum mounting arm adaptors.

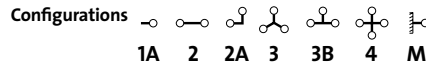
The luminaire adaptor will accept a luminaire equipped with Lumec's four-bolt mounting system.



Specifications:

The IF mounting arm features a 2 3/8"-O.D. (60 mm) extruded-aluminum tube bent at a 180° angle and mechanically assembled to the pole using a cast-aluminum mounting adaptor.

The luminaire adaptor will accept a luminaire equipped with Lumec's four-bolt mounting system.

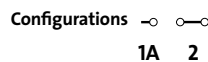


Specifications:

The SM mounting arm features a 2 3/8"-O.D. (60 mm) extruded-aluminum tube bent at a 180° angle welded to a cast-aluminum pole-top adaptor.

The luminaire adaptor will accept a luminaire equipped with Lumec's four-bolt mounting system.

The aluminum central pole adaptor slip-fits 9" (229 mm) over a 4" (102 mm), 5" (127 mm) or 5 9/16" (141 mm) O.D. pole or tenon.



Specifications:

The MJ mounting arm features a 2 3/8"-O.D. (60 mm) extruded-aluminum tube bent at a 180° angle welded to a cast-aluminum pole-top adaptor.

The luminaire adaptor will accept a luminaire equipped with Lumec's four-bolt mounting system.

The aluminum central pole adaptor slip-fits 9" (229 mm) over a 4" (102 mm), 5" (127 mm) or 5 9/16" (141 mm) O.D. pole or tenon.

> The MJ bracket is offered with LG option (medaillon to accept logo) see page 134.

