

Project: _____

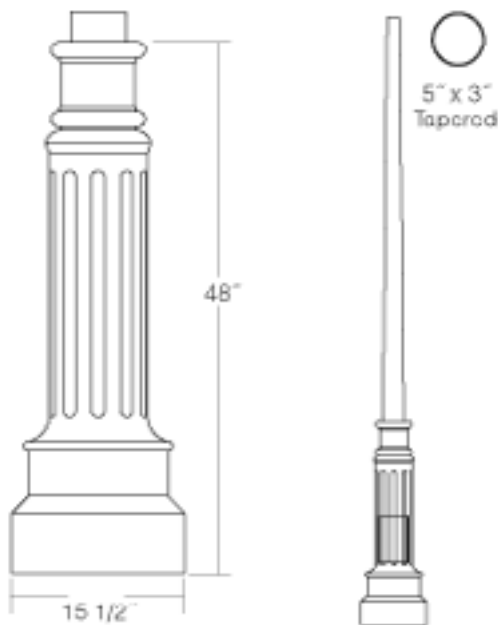
Location: _____

Cat.No: _____

Type: _____

Lamps: _____ Qty: _____

Notes: _____



Ordering Guide

Example: P4420 12 A T D

Product Code	P4420	
Pole Height	12	12'
	14	14'
	16	16'
	18	18'
Finish	A	Black
	B	White
	G	Verde
	H	Bronze
	J	Green
Outlet Location (Optional)	T	12" Down from Top - Aligned with House Side
	B	4" Up from Top of Base - Aligned with House Side
Outlet Options (Optional)	D	Standard Duplex
	G	GFI Duplex

Specifications

HOUSING:

356 HM high-strength, low-copper, proprietary cast aluminum alloy . 6063-T6 Extruded aluminum . Anchor rods are hot dipped galvanized steel .

FINISH:

A durable polyurethane enamel finish is applied after assemblies are shot blasted to create a surface profile which allows for the highest level of paint adhesion. Laboratory tested for superior weatherability and fade resistance in accordance with ASTM B-117-64 and ANSI/ASTM G53-77 specifications. For larger projects where a custom color is required, contact the factory for more information.

WARRANTY:

Three-year limited warranty.

OUTLET:

Standard Duplex Outlet has universal metal weatherproof cover. Weatherproof while in use. Heavy-duty all-metal construction. Lockable security cover. Meets NEC 406.9 (B). Weather resistant. GFI Duplex Outlet has dual-function indicator light, universal metal weatherproof cover. Weatherproof while in use. Heavy-duty all-metal construction. Lockable security cover. Meets NEC 406.9 (B). Weather resistant.

P4420 P4420

Pole

Specifications

Tenon/Top:
3" OD

Bolt Circle:
8" - 12"

Anchor Rods:
(4) 3/4" dia. x 19"

Base Dimensions:
15 1/2" dia. x 48"

Hand Hole :
11" x 5"

Shaft:
5" to 3" Tapered

Wall Thickness:
0.125 Aluminum

Height :
12', 14', 16', 18'

Pole EPA Values

Windspeed(mph)	Height			
	12'	14'	16'	18'
80	23.2900	15.2100	12.6900	10.5900
100	14.4000	9.1400	7.4100	5.9500

