

Gardco offers a range of brackets suited to compliment our outdoor luminaires.

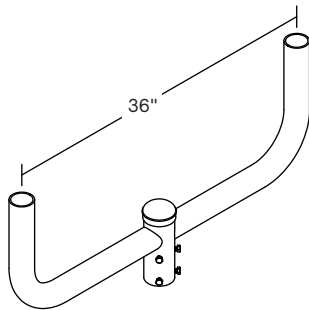
Project: _____
 Location: _____
 Cat.No: _____
 Type: _____
 Qty: _____
 Notes: _____

Ordering Guide

example: SBRKT-RBH-L2-36-T2D4L-BZ

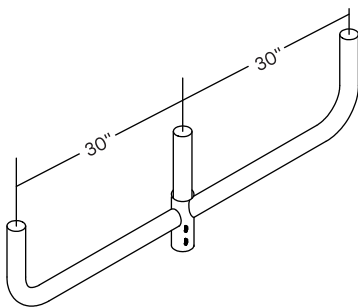
Bracket Material	Bracket Type	Configuration and Spacing (in inches)	Mounting (to pole)	Finish (gloss)
SBRKT	RBH		T2D4L	
SBRKT Steel Bracket	RBH Round Bullhorn	L2-36 Twin Linear L3-30 Triple Linear L4-30 Quad Linear S3-24 Triple Spider S4-24 Quad Spider	T2D4L 2-3/8" OD x 4" Length Tenon	BZ Bronze BK Black WH White MG Medium Grey DG Dark Grey* GV Galvanized

Brackets are manufactured using 2" pipe, resulting in luminaire mounts equal to 2-3/8" OD x minimum 4" length tenons.
 * Dark Grey finish is similar to Bronze on these bracket products.



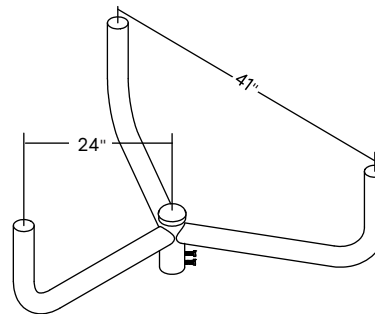
Twin Linear (L2-36)

Bracket Weight (lbs.)	20
Bracket EPA	1.1
Max Load per Tenon (lbs.)	85
Max EPA Load per Tenon	7.5



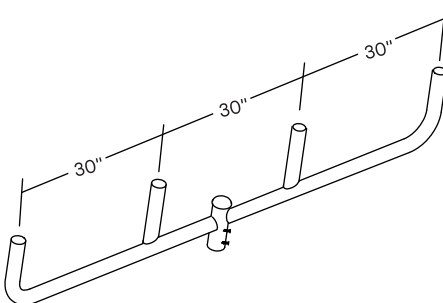
Triple Linear (L3-30)

Bracket Weight (lbs.)	31
Bracket EPA	1.8
Max Load per Tenon (lbs.)	85
Max EPA Load per Tenon	7.5



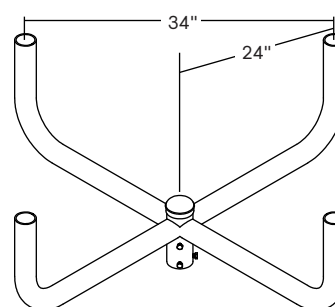
Triple Spider (S3-24)

Bracket Weight (lbs.)	33
Bracket EPA	1.9
Max Load per Tenon (lbs.)	85
Max EPA Load per Tenon	7.5



Quad Linear (L4-30)

Bracket Weight (lbs.)	44
Bracket EPA	2.5
Max Load per Tenon (lbs.)	85
Max EPA Load per Tenon	7.5



Quad Spider (S4-24)

Bracket Weight (lbs.)	43
Bracket EPA	2.5
Max Load per Tenon (lbs.)	85
Max EPA Load per Tenon	7.5

SBRKT Steel Brackets

Site & Area

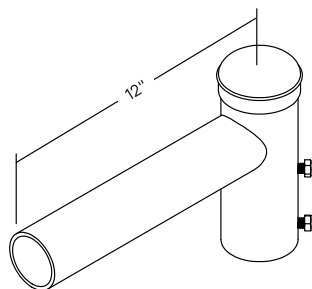
Ordering Guide

example: SBRKT-SPK-L2-12-T2D4L-BK

Bracket Material	Bracket Type	Configuration and Spacing (in inches)	Mounting (to pole)	Finish (gloss)
SBRKT	SPK		T2D4L	
SBRKT Steel Bracket	SPK Spoke	L1-12 Single L2-12 Twin Linear 2@90-12 Twin @ 90 3@90-12 Triple @ 90 S3-12 Triple Spider S4-12 Quad Spider	T2D4L 2-3/8" OD x 4" Length Tenon	BZ Bronze BK Black WH White MG Medium Grey DG Dark Grey* GV Galvanized

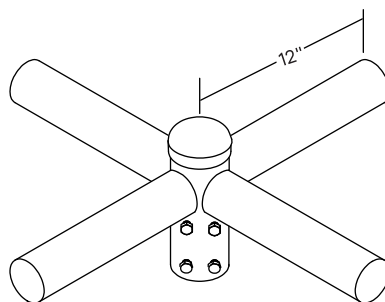
Brackets are manufactured using 2" pipe, resulting in luminaire mounts equal to 2-3/8" OD x minimum 4" length tenons..

* Dark Grey finish is similar to Bronze on these bracket products.



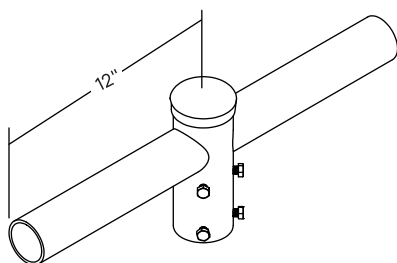
Single (L1-12)

Bracket Weight (lbs.)	7
Bracket EPA	0.42
Max Load per Tenon (lbs.)	85
Max EPA Load per Tenon	8



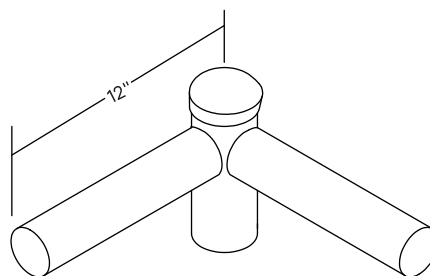
Quad Spider (S4-12)

Bracket Weight (lbs.)	17
Bracket EPA	1.1
Max Load per Tenon (lbs.)	85
Max EPA Load per Tenon	8



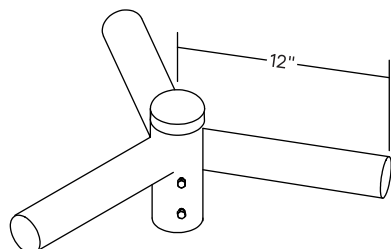
Twin Linear (L2-12)

Bracket Weight (lbs.)	11
Bracket EPA	0.6
Max Load per Tenon (lbs.)	85
Max EPA Load per Tenon	8



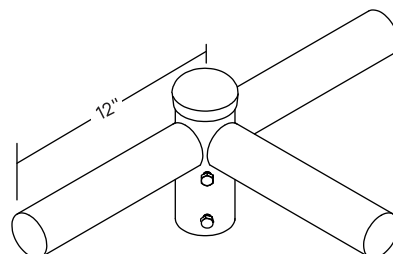
Twin @ 90 (2@90-12)

Bracket Weight (lbs.)	11
Bracket EPA	0.6
Max Load per Tenon (lbs.)	85
Max EPA Load per Tenon	8



Triple Spider (S3-12)

Bracket Weight (lbs.)	15
Bracket EPA	0.8
Max Load per Tenon (lbs.)	85
Max EPA Load per Tenon	8



Triple @ 90 (3@90-12)

Bracket Weight (lbs.)	15
Bracket EPA	0.8
Max Load per Tenon (lbs.)	85
Max EPA Load per Tenon	8

SBRKT Steel Brackets

Site & Area

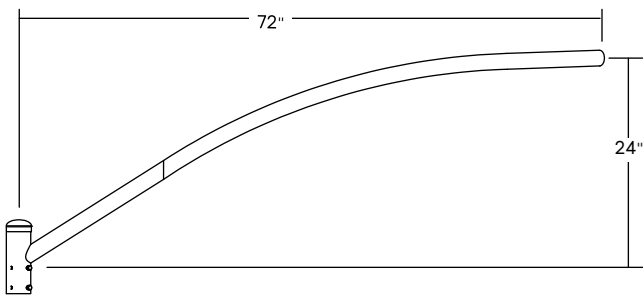
Ordering Guide

example: SBRKT-UPS-L2-72/24-T2D4L-BZ

Bracket Material	Bracket Type	Configuration and Spacing (in inches)	Mounting (to pole)	Finish (gloss)
SBRKT	UPS		T2D4L	
SBRKT Steel Bracket	UPS Upsweep	L1-72/24 Single L2-72/24 Twin Linear S3-72/24 Triple Spider S4-48/24 Quad Spider	T2D4L 2-3/8" OD x 4" Length Tenon	BZ Bronze BK Black WH White MG Medium Grey DG Dark Grey* GV Galvanized

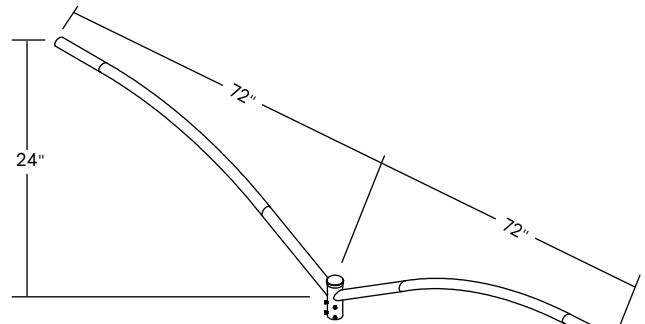
Brackets are manufactured using 2" pipe, resulting in luminaire mounts equal to 2-3/8" OD x minimum 4" length tenons.

* Dark Grey finish is similar to Bronze on these bracket products.



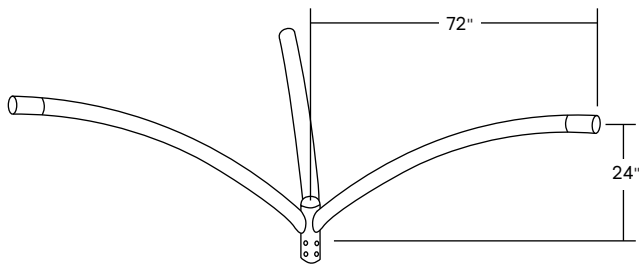
Single (L1-72/24)

Bracket Weight (lbs.)	28
Bracket EPA	1.63
Max Load per Tenon (lbs.)	45
Max EPA Load per Tenon	3.1



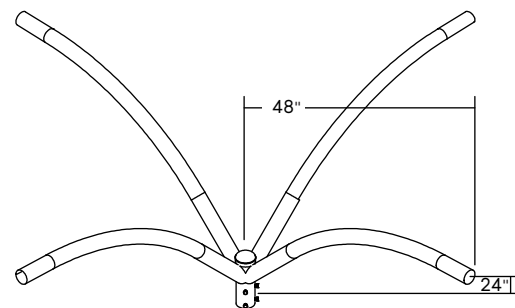
Twin Linear (L2-72/24)

Bracket Weight (lbs.)	52
Bracket EPA	3.1
Max Load per Tenon (lbs.)	45
Max EPA Load per Tenon	3.1



Triple Spider (S3-72/24)

Bracket Weight (lbs.)	77
Bracket EPA	3.8
Max Load per Tenon (lbs.)	45
Max EPA Load per Tenon	3.1



Quad Spider (S4-48/24)

Bracket Weight (lbs.)	71
Bracket EPA	4.2
Max Load per Tenon (lbs.)	60
Max EPA Load per Tenon	6.3

SBRKT Steel Brackets

Site & Area

Ordering Guide

example: SBRKT-RA-L2-30-WA-MG

Bracket Material	Bracket Type	Configuration and Spacing (in inches)	Mounting (to pole or structure)	Finish (gloss)
SBRKT				
SBRKT Steel Bracket	RA Right Angle	L1-12/13 Single	SQ4 4" (or larger) Square Pole	BZ Bronze BK Black WH White MG Medium Grey DG Dark Grey* GV Galvanized
		L1-14 Single L1-12/13 Single L2-30 Twin Linear	WA Wall Mount	
	RAH Right Angle Heavy	L1-8.5/8 Single L1-14/8 Single	WA Wall Mount	

Brackets are manufactured using 2" pipe, resulting in luminaire mounts equal to 2-3/8" OD x minimum 4" length tenons.

* Dark Grey finish is similar to Bronze on these bracket products.

**Mounting plate dimensions for these brackets show the center-to-center of the fastener drillings.

Single (RA-L1-12/13-SQ4)

Bracket Weight (lbs.)	10
Bracket EPA	1.5
Max Load per Tenon (lbs.)	85
Max EPA Load per Tenon	8

Single (RA-L1-14-WA)

Bracket Weight (lbs.)	10
Bracket EPA	1.5
Max Load per Tenon (lbs.)	85
Max EPA Load per Tenon	8

Single (RAH-L1-8.5/8-WA)

Bracket Weight (lbs.)	11
Bracket EPA	0.3
Max Load per Tenon (lbs.)	85
Max EPA Load per Tenon	8

Single (RAH-L1-14/8-WA)

Bracket Weight (lbs.)	12
Bracket EPA	0.4
Max Load per Tenon (lbs.)	85
Max EPA Load per Tenon	8

Twin Linear (RA-L2-30-WA)

Bracket Weight (lbs.)	23
Bracket EPA	1.3
Max Load per Tenon (lbs.)	85
Max EPA Load per Tenon	8

Single (RA-L1-12/13-WA)

Bracket Weight (lbs.)	8
Bracket EPA	0.4
Max Load per Tenon (lbs.)	85
Max EPA Load per Tenon	8

Ordering Guide

example: SBRKT-SAB-L1-4-WA-WH

Bracket Material	Bracket Type	Configuration and Spacing (in inches)	Mounting (to structure)	Finish (gloss)
SBRKT				
SBRKT Steel Bracket	SAB Side Angle	NA-4 Flat with 11/16" Drilled Hole	WA Wall Mount	BZ Bronze BK Black WH White MG Medium Grey DG Dark Grey* GV Galvanized
		L1-4 Single Tenon		

* Dark Grey finish is similar to Bronze on these bracket products.

Flat (NA-4)

Bracket Weight (lbs.)	9
Bracket EPA	0.5
Max Load per Tenon (lbs.)	85
Max EPA Load per Tenon	8

Single Tenon (L1-4)

Bracket Weight (lbs.)	10
Bracket EPA	0.6
Max Load per Tenon (lbs.)	85
Max EPA Load per Tenon	8

SBRKT Steel Brackets

Site & Area

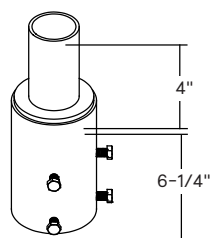
Ordering Guide

example: SBRKT-ETR-L1-4-R4-BK

Bracket Material	Bracket Type	Configuration and Tenon Length (in inches)	Mounting (to pole)	Finish (gloss)
SBRKT				
SBRKT Steel Bracket	ETR External Tenon Reducer	L1-4 Single	R3 3" Round Pole R4 4" Round Pole	BZ Bronze BK Black WH White
	ITA Internal Tenon Adapter	L1-5 Single	SQ4 4" Square Pole SQ5 5" Square Pole SQ6 6" Square Pole	MG Medium Grey DG Dark Grey* GV Galvanized

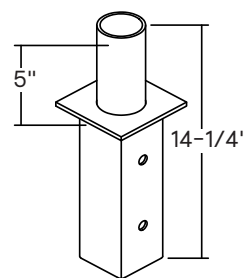
Brackets are manufactured using 2" pipe, resulting in luminaire mounts equal to 2-3/8" OD x minimum 4" length tenons.

* Dark Grey finish is similar to Bronze on these bracket products.



Single (ETR-L1-4)

Bracket Weight (lbs.)	9
Bracket EPA	0.4
Max Load per Tenon (lbs.)	400
Max EPA Load per Tenon	26.3



Single (ITA-L1-4)

Bracket Weight (lbs.)	14
Bracket EPA	0.4
Max Load per Tenon (lbs.)	400
Max EPA Load per Tenon	21.9

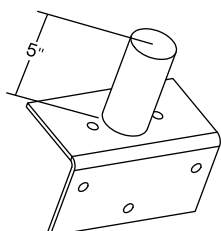
Ordering Guide

example: SBRKT-STN-L1-10-SQ4-BZ

Bracket Material	Bracket Type	Configuration and Spacing (in inches)	Mounting (to pole)	Finish (gloss)
SBRKT				
SBRKT Steel Bracket	PTN Parapet Tenon	L1-5 Single	WA Wall Mount	BZ Bronze BK Black WH White
	VTN Vertical Tenon	L1-6 Single	WA Wall Mount	MG Medium Grey DG Dark Grey* GV Galvanized
	STN Side Tenon	L1-10 Single	SQ4 4" (or larger) Square Pole	

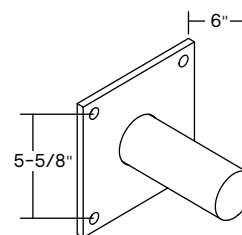
Note: Bracket to luminaire tenon is 2-3/8" OD x minimum 4" length.

* Dark Grey finish is similar to Bronze on these bracket products.



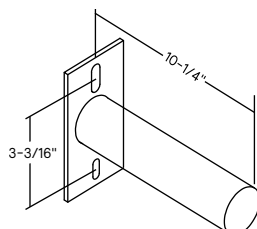
Single (PTN-L1-5)

Bracket Weight (lbs.)	4
Bracket EPA	0.1
Max Load per Tenon (lbs.)	85
Max EPA Load per Tenon	5.7



Single (VTN-L1-6)

Bracket Weight (lbs.)	8
Bracket EPA	0.2
Max Load per Tenon (lbs.)	85
Max EPA Load per Tenon	8



Single (STN-L1-10)

Bracket Weight (lbs.)	5
Bracket EPA	0.25
Max Load per Tenon (lbs.)	85
Max EPA Load per Tenon	8

SBRKT Steel Brackets

Site & Area

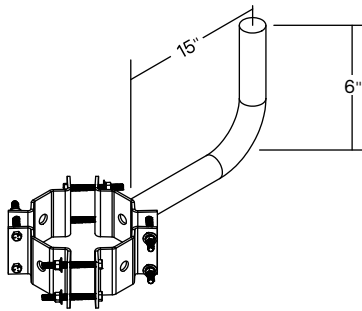
Ordering Guide

example: SBRKT-WRP-L2-10/13D-WP-GV

Bracket Material	Bracket Type	Configuration and Pole Diameter (in inches)	Mounting (to pole)	Finish (gloss)
SBRKT	WRP		WP	
SBRKT Steel Bracket	WRP Wrap Around	L1-7/10D Single 7-10" L1-10/13D Single 10-13" L2-7/10D Twin Linear 7-10" L2-10/13D Twin Linear 10-13" S3-7/10D Triple Spider 7-10" S3-10/13D Triple Spider 10-13" S4-7/10D Quad Spider 7-10" S4-10/13D Quad Spider 10-13"	WP Wood Pole	BZ Bronze BK Black WH White MG Medium Grey DG Dark Grey* GV Galvanized

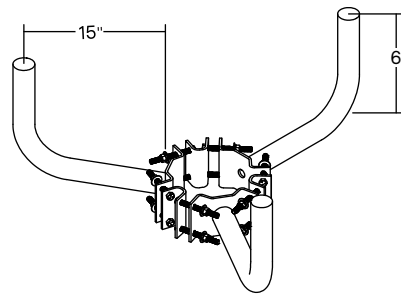
Brackets are manufactured using 2" pipe, resulting in luminaire mounts equal to 2-3/8" OD x minimum 4" length tenons..

* Dark Grey finish is similar to Bronze on these bracket products.



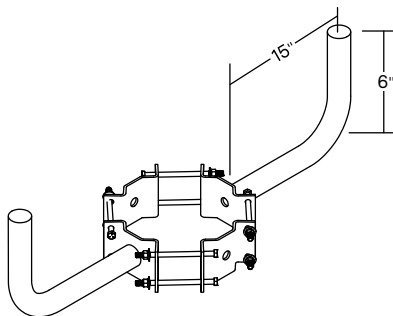
Single (L1-x/xD)

Bracket Weight (lbs.)	21
Bracket EPA	0.8
Max Load per Tenon (lbs.)	85
Max EPA Load per Tenon	8



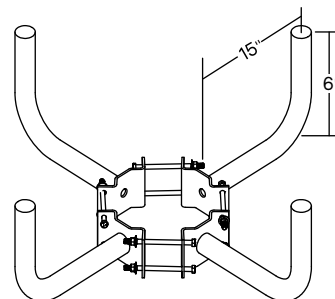
Triple Spider (S3-x/xD)

Bracket Weight (lbs.)	35
Bracket EPA	2
Max Load per Tenon (lbs.)	85
Max EPA Load per Tenon	8



Twin Linear (L2-x/xD)

Bracket Weight (lbs.)	28
Bracket EPA	1.2
Max Load per Tenon (lbs.)	85
Max EPA Load per Tenon	8



Quad Spider (S4-x/xD)

Bracket Weight (lbs.)	43
Bracket EPA	3.3
Max Load per Tenon (lbs.)	85
Max EPA Load per Tenon	8

SBRKT Steel Brackets

Site & Area

Gardco Bracket Specifications

General

All bracket arms listed here are fabricated from 2" schedule 40 pipe resulting in 2-3/8" OD tenon connects unless otherwise noted. Alternatives both for the bracket pipe, and the slip fitter or mount to the pole tenon are available upon request.

Finish

Brackets are available with Gardco's standard color finishes in a gloss sheen - Black, White, Bronze, Dark Grey, Medium Grey, optional Galvanized finish, and custom colors also available upon request. The hue of the Dark Grey finish may vary slightly when compared to Gardco poles and luminaires specified with the same DG finish.

Maximum Weight Load

The maximum tenon loading is calculated for weights based on a 100 MPH wind with a 3 second gust per 2009 AASHTO LTS-5 located 30' above grade (maximum 70' mounting height). When loading requirements exceed these limits, contact factory. Total combined weight and EPA of brackets, luminaires, and accessories must not exceed that allowed on the pole ordered.

Luminaire Clearance Considerations

Adjacent tenon spacing and fixture dimensions must be compared for proper clearance between luminaires.

Design Considerations

Poles and brackets installed in areas of known abnormal conditions may require special consideration. For example: coastal areas, airports and areas of special winds. Poles are designed for ground mounted applications. Poles and brackets mounted on structures (such as buildings and bridges) may also necessitate special consideration requiring Gardco's recommendation. Height correction factors and drag coefficient are applied to the entire structure. An appropriate safety factor is maintained based on the minimum yield strength of the material incorporated in the pole.

Warning

This design information is intended as a general guideline only. The customer is solely responsible for proper selection of pole, bracket, luminaire, accessory, and foundation under the given site conditions and intended usage. The addition of any items to the pole, in addition to the luminaire, will dramatically impact the EPA load on that pole. It is strongly recommended that a qualified professional be consulted to analyze the loads given the user's specific needs to ensure proper selection of the pole, luminaire, accessories, and foundation. Gardco assumes no responsibility for such proper analysis or product selections. Failure to ensure proper site analysis, pole selection, loads and installation can result in pole and/or bracket failure, leading to serious injury or property damage.

Warranty

Gardco brackets are covered by a 1-year structural and finish warranty. For more information see signify.com/warranties

