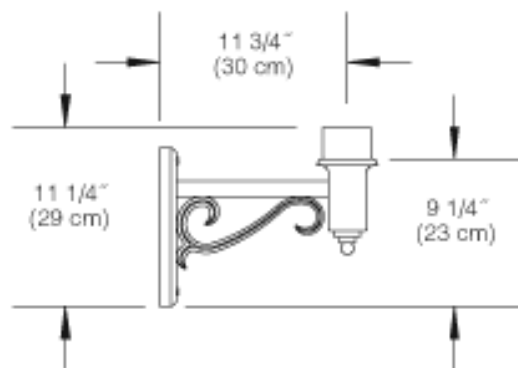


Project: \_\_\_\_\_  
Location: \_\_\_\_\_  
Cat.No: \_\_\_\_\_  
Type: \_\_\_\_\_  
Lamps: \_\_\_\_\_ Qty: \_\_\_\_\_  
Notes: \_\_\_\_\_



### Ordering Guide

Example: PTW2285 A

Product Code	PTW2285	Wall Mount
Finish	A	Black
	B	White
	G	Verde
	H	Bronze
	J	Green

### Specifications

#### HOUSING:

356 HM high-strength, low-copper, proprietary cast aluminum alloy .

#### FINISH:

Thermoset polyester powdercoat is electrostatically applied after a five-stage conversion cleaning process and bonded by heat fusion thermosetting. Laboratory tested for superior weatherability and fade resistance in accordance with ASTM B117 specifications. For larger projects where a custom color is required, contact the factory for more information.

#### WARRANTY:

Three-year limited warranty.

#### Height :

11 1/4" (29 cm)

#### Length:

11 3/4" (30 cm)

