

# Day-Brite



by @signify

## Industrial

### FluxSpace

FLP 2', 3', 4', 8'



Day-Brite / CFI FluxSpace LED Linear is a product that is perfect for a wide range of applications. Featuring a small form factor with a wide range of lumen packages and optical distributions, there is an abundance of both value and performance. FluxSpace contains features, options, and accessories, including scalable Interact controls, that allow it to fit into areas from education to warehousing.

Project: \_\_\_\_\_  
 Location: \_\_\_\_\_  
 Cat.No: \_\_\_\_\_  
 Type: \_\_\_\_\_  
 Lumens: \_\_\_\_\_ Qty: \_\_\_\_\_  
 Notes: \_\_\_\_\_

### Ordering guide

example: FLP440L840-R-UNV-DIM

Family	Length	Lumens <sup>1</sup> (nom.)	Efficacy	CRI/CCT	Lens/Optics	Voltage	Driver	Options					
<b>FLP</b>				–	–	–	–						
FLP FluxSpace	2 2ft	20L	2,000lm	Blank Standard HE <sup>3</sup> High Efficacy	830	80CRI, 3000K	R Round Frosted Lens	UNV Universal Voltage, 120–277V	DIM Dimming (0–10V) DALI <sup>5</sup> DALI DTW <sup>5</sup> DALI controlled tunable white	SWZCS/E <sup>6,7</sup>	Interact Pro scalable sensor w/integral daylight & occupancy sensing, advanced grouping w/dwell time (mounted on fixture end cap)		
		30L	3,000lm		835	80CRI, 3500K				Q Square Frosted Lens	120 120V	SWZCS/S <sup>6,8</sup>	Interact Pro scalable sensor w/integral daylight & occupancy sensing, advanced grouping w/dwell time (side mounted on fixture housing side)
		40L	4,000lm		840	80CRI, 4000K				U Wide Uplight Frosted Lens	208 208V	SWZCSH <sup>6,9</sup>	Interact Pro scalable high bay sensor w/integral daylight & occupancy sensing, advanced grouping w/dwell time
		45L	4,500lm		850	80CRI, 5000K				L No Lens	240 240V	IAOSB/E <sup>5,7</sup>	Interact Pro RF sensor, enables wireless connected lighting control (mounted on fixture end cap)
		50L	5,000lm		930	90CRI, 3000K				N Narrow Optic (No Lens)	277 277V	IAOSB/S <sup>5,8</sup>	Interact Pro RF sensor, enables wireless connected lighting control (side mounted on fixture housing side)
		60L	6,000lm		935	90CRI, 3500K				W Wide Optic (No Lens)	347 347V	RADIO/E <sup>5,7</sup>	Interact Office advanced wireless sensor bundle, integral SC1500 w/loT capabilities for enterprise scale projects (mounted on fixture end cap)
	3 3ft	30L	3,000lm	940 90CRI, 4000K	9TW <sup>4,5</sup> Tunable 90CRI, 2700K–6500K	A Aisle Optic (No Lens)				RADIO/S <sup>5,8</sup>	Interact Office advanced wireless sensor bundle, integral SC1500 w/loT capabilities for enterprise scale projects (side mounted on fixture housing side)		
		37L	3,700lm							MD360 <sup>9,10</sup>	360° Motion detector (ON/OFF)		
		45L	4,500lm							MD360D <sup>9,10</sup>	360° Motion detector (ON/DIM to 10%)		
		50L	5,000lm							BSL6LST <sup>11</sup>	Factory wired 6W Bodine integral emergency pack, nominal 750 to 880 lumens		
		60L	6,000lm							BSL10LST <sup>11</sup>	Factory wired 10W Philips Bodine integral emergency pack, nominal 1300 to 1500 lumens		
		4 4ft	30L							3,000lm			
40L	4,000lm		ER100/HVPS <sup>12</sup>	UL924 listed sensor bypass relay, factory installed between driver & sensor for 347V Power Sense (Interact Pro compatible) – not available in 2ft									
50L	5,000lm		ER100/HVPI <sup>12</sup>	UL924 listed sensor bypass relay, factory installed between driver & sensor for 347V Power Interrupt (Interact Pro compatible) – not available in 2ft									
60L	6,000lm		GTD/E <sup>13</sup>	UL924 listed Bodine GTD factory installed on driver input (Note: ONLY available in 120V OR 277V)									
70L	7,000lm		PU(xx)	Power Connect options for through-wire connections may be ordered factory installed. See page (5) for more information (4ft and 8ft units only)									
80L	8,000lm												
8 8ft	60L	6,000lm											
	80L	8,000lm											
	100L	10,000lm											
	120L	12,000lm											
	140L	14,000lm											
	240L <sup>2</sup>	24,000lm											

- Nominal delivered lumens at 25°C ambient. Other lumen packages may be ordered in increments of 500lm up to maximum listed lumens for 2', 3', or 4' units and increments of 1000lm up to maximum listed lumens for 8' unit.
- Not available with Interact options (SWZCS/E, SWZCS/S, SWZCSH, IAOSB, or RADIO).
- Not available in 2ft 6000lm, 4ft 12000lm, or 8ft 24000lm.
- Not available with Narrow, Wide, or Aisle Optic options (6000lm maximum configurations only).
- ETO ready (consult factory for lead times).
- Must order IRT9015 Interact commissioning remote with each system order, and available with DIM driver option only.
- Sensor mounted on fixture end cap (see page 6 for details).
- Sensor mounted on fixture housing side (see page 6 for details). Not available in any 2' unit with any emergency option.
- High bay motion detector, motion sensing zone is extremely limited if used below 15' mounting height.
- Not for use with SWZCS or SWZCSH option.
- Not available in 2ft unit with 347V.
- Must be installed in conjunction with a UL1008 device (only used with SWZCS or SWZCSH integral sensing option).
- Must be installed in conjunction with a UL1008 device (must specify voltage). Using Power Connect with the GTD/E option is ETO ready. Consult factory for lead times.

### General notes

Many luminaire components, such as reflectors, refactors, lenses, sockets, lampholders, and LEDs are made from various types of plastics which can be adversely affected by airborne contaminants. If sulfur based chemicals, petroleum based products, cleaning solutions, or other contaminants are expected in the intended area of use, consult factory for compatibility.

Note: Not all product variations listed on this page are DLC qualified. To ensure that a specific model is qualified, visit [www.designlights.org/search](http://www.designlights.org/search).



interact ready.

# FLP FluxSpace Linear

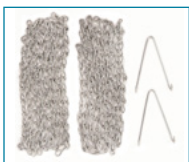
2', 3', 4' & 8'

## Accessories

Remote



Chain hanger set



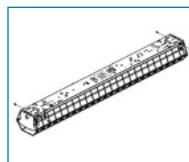
Cable hanger set



Row joiner



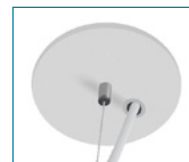
Wire guard



Cable hanger kit



Cable hanger kit w/cord



No Lens end cap



Round end cap



Square end cap



Uplight end cap



Round lens



Square lens



Uplight lens



## Accessories (order separately)

Catalog Numbers	Descriptions	Notes
HCH5-VHOOK	5' Cable hanger set (pair) - Includes two 5' hanging cables with "V" hooks	
HCH10-VHOOK	10' Cable hanger set (pair) - Includes two 10' hanging cables with "V" hooks	
HCH15-VHOOK	15' Cable hanger set (pair) - Includes two 15' hanging cables with "V" hooks	
HCH20-VHOOK	20' Cable hanger set (pair) - Includes two 20' hanging cables with "V" hooks	
HNH5-VHOOK	54" Chain hanger set (pair) - Includes two 54" heavy duty link chains with "V" hooks	
DACHxx	Adjustable cable hanger kit with canopy (single)	
DACHxx-1-SC	Adjustable cable hanger kit with canopy and white straight 18/3 cord (single)**	Works with 1/4" hole on base of housing or TH hanger bracket. xx = cable length in inches, enter 48" to 180" lengths in 12" increments
DACHxx-2-SC	Adjustable cable hanger kit with canopy and white straight 18/4 cord (single)**	
DACHxx-1D-SC	Adjustable cable hanger kit with canopy and white straight 18/5 cord (single)**	
DACHxx-1D-SC-EM	Adjustable cable hanger kit with canopy and white straight 18/6 cord (single)**	
FLP-J	Heavy duty internal row joiner	
FLP-CMR	Round plastic center lens mullion to use when row mounting	
FLP-CMQ	Square plastic center lens mullion to use when row mounting	
FLP-CMU	Uplight plastic center lens mullion to use when row mounting	
FLP-WG2	2' Wire guard	Cannot be used with housing side mounted Interact sensors.
FLP-WG3	3' Wire guard	
FLP-WG4	4' Wire guard (order two for 8' models)	
FLP-ECL	No Lens plastic end cap - used for no lens and optic versions (set of two)	
FLP-ECR	Round plastic end cap (set of two)	
FLP-ECQ	Square plastic end cap (set of two)	
FLP-ECU	Uplight plastic end cap (set of two)	
FLP-R2L	2' Round lens	
FLP-R3L	3' Round lens	
FLP-R4L	4' Round lens - order two for 8' models	
FLP-Q2L	2' Square lens	
FLP-Q3L	3' Square lens	
FLP-Q4L	4' Square lens - order two for 8' models	
FLP-U2L	2' Uplight lens	
FLP-U3L	3' Uplight lens	
FLP-U4L	4' Uplight lens - order two for 8' models	
TH-1	Sliding hanger bracket, flush mounting (pair)	
TH-2	Sliding hanger bracket, 1-1/2" spacing (pair)	
IRT9015	SWZCS handheld remote for grouping and configuration (at least one remote required for any SWZCS installation)	

# FLP FluxSpace Linear

2', 3', 4' & 8'

## Models



No Lens or No Lens with Optic

Square with Frosted Lens

Round with Frosted Lens

Uplight with Frosted Lens

## Specifications

### Features

- Robust design for installation in new construction and renovated spaces.
- Available with CRI 80 or CRI 90 minimum color rendering.
- Easy access to LED boards and driver.
- Frosted acrylic diffuser options provide wide light distribution and superior glare control.
- Lengths of 2', 3', 4' and 8' available to accommodate many field applications.
- Up to 100,000 hour predicted L70 LED lumen maintenance provides long service life to reduce maintenance costs.
- Can be surface mounted on ceilings or walls, or suspended via chain, pendants or cables.
- Wall mountable – ADA compliant.
- Single piece plastic end caps provide finished aesthetic.
- Can handle cold applications (-20°C).
- Knock out of 7/8" provided at each end and on base of luminaire.
- Multiple driver options available with 0-10V as standard.
- Enclosed lens versions designed to minimize penetration of dust, insects, and other debris into the LED compartment.
- Tandem 8' unit is two 4' optical assemblies with a center mullion on a single full length chassis.
- FLP-J heavy duty row joiner is required for continuous row mounting. Use one FLP-J at each joint.
- Integral controls options include sensor mounted in control module extension mounted on fixture end or side.
- 5 year manufacturer's limited warranty. Visit [signify.com/warranties](http://signify.com/warranties) for complete warranty information.

### Finish

- Baked white acrylic matte high reflectance paint finish.

### Shielding

- Contoured frosted acrylic lenses.
- Option to have lensless version for highest lumen output.
- Optical distributions available for lensless version to allow for best fit beam placement.

### Electrical

- LED boards and drivers are RoHS (Restriction of Hazardous Substances) compliant. Total system life rated at 50,000 hours. Predicted L70 lifetime based on LED manufacturer's supplied LM-80 data and in-situ laboratory testing.
- Integral emergency driver with EMLED option. To estimate lumen output in emergency mode, multiply emergency pack wattage by efficacy, then by 1.10.
- The GTD/E option is used to bypass wall switches and allow luminaire operation on auxiliary power. Generator transfer requires installation in conjunction with a UL1008 listed device.

### Materials

- Heavy gauge cold rolled steel housing and LED plate. ABS plastic injection molded end caps.

### Labels

- cETLus listed to UL 1598 standards. Suitable for use in damp locations. See ambient temperature data table for standard ambient information.

### Ambient Temperature Data

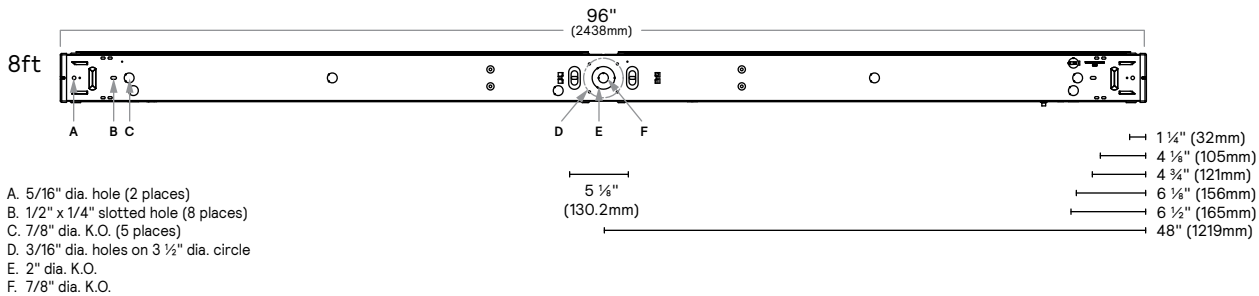
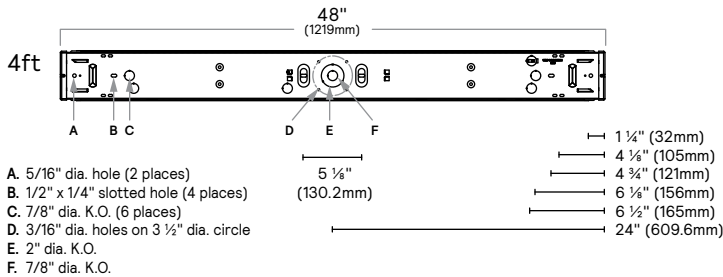
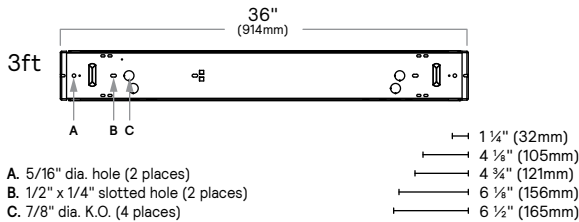
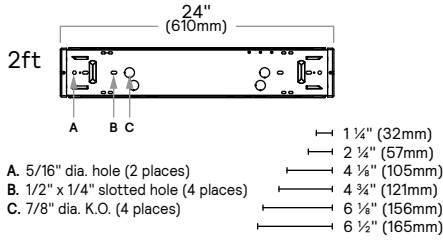
Maximum Ambient Table °C (minimum ambient -20°C)

Configuration	UNV	347	UNV w/ Interact	347 w/ Interact
FLP220L	50	45	45	45
FLP230L	50	45	45	45
FLP240L	45	45	45	45
FLP245L	45	45	45	40
FLP250L	40	40	40	40
FLP260L	40	40	40	40
FLP330L	50	50	40	40
FLP337L	45	45	40	40
FLP345L	45	45	40	40
FLP350L	40	40	40	40
FLP360L	40	40	40	40
FLP430L	45	45	45	45
FLP440L	45	45	45	45
FLP450L	45	45	45	45
FLP460L	40	40	40	40
FLP470L	30	30	30	30
FLP480L	30	30	30	30
FLP490L	30	30	30	30
FLP4100L	30	30	30	30
FLP4120L	35	35		
FLP860L	45	45	40	40
FLP880L	45	45	40	40
FLP8100L	40	40	40	40
FLP8120L	40	40	40	40
FLP8140L	30	30	30	30
FLP8160L	30	30	30	30
FLP8180L	30	30	30	30
FLP8200L	30	30	30	30
FLP8240L	35	35		
Any unit with BSL6LST, BSL10LST, or GTD/E (min. 0°C)	30	30	30	30

# FLP FluxSpace Linear

2', 3', 4' & 8'

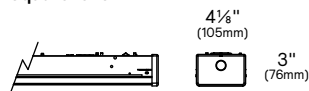
## Dimensions



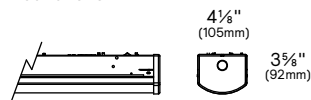
### No Lens



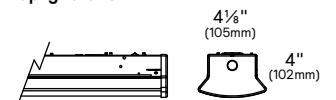
### Square lens



### Round lens



### Uplight lens



# FLP FluxSpace Linear

2', 3', 4' & 8'

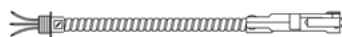
## Electro-Connect Modular Wiring System

### Features

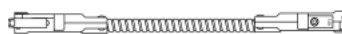
Electro-Connect is a pre-assembled modular wiring system designed to simplify the process of wiring and installing fixtures ultimately providing time and cost savings. With only three basic components, EC can be used to supply power in both high bay and low bay applications. For more information, visit us online at <https://www.signify.com/en-us/products/indoor-luminaires/modular-wiring/wiring-devices/electro-connect-ec-three> and <https://www.signify.com/en-us/products/indoor-luminaires/modular-wiring/wiring-devices/electro-connect-ec-three-plus>

### EC3 Modular Wiring System

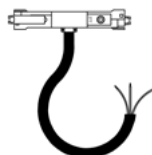
#### Distribution Cable



#### Extender Cable

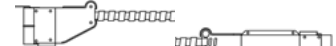


#### Lighting 'T'

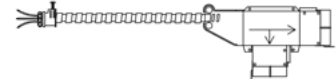


### EC3+ Modular Wiring System

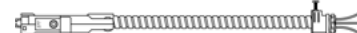
#### Double Headed Extender Cable



#### Double Headed Distribution Cable



#### Whip End Fixture Drop



## Power Connect Modular Wiring System

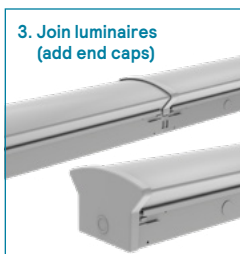
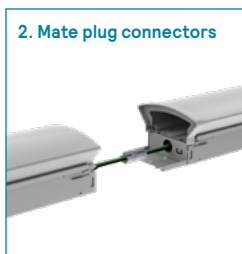
### Features

- Internal wiring harness for feed-thru row mounted applications factory installed in luminaire.
- Modular connection makes installation quick and easy.
- Round 600V rated 6-pin male connector at one end and female connector at opposite end. Simply plug together.
- Thru conductors are 12ga stranded, 90°C THHN, 600V rated.
- Internal component conductors are 18ga solid, 90°C TFN, 600V rated.

- Luminaire comes assembled with joiner bracket at one end and lens mullion connector (if lensed version) installed.
- End caps for the rows must be ordered as separate accessory items. See detailed accessory list on page 1.
- For luminaires with emergency devices installed, the black lead will be factory connected to the driver, and the red lead will be factory connected as unswitched hot to the emergency device.

### Attention

- Always make initial power feed at the male connector end of the first luminaire. It is best to have the female connector at the end of the luminaire run.
- Using Power Connect with the GTD/E option is ETO ready. Consult factory for lead times.



### Option code suffix to luminaire catalog number

Family	Voltage	Circuits/Wiring	Luminaire Length
<b>P</b>	<b>U</b>		
P Power connect	U Universal voltage 120-480V	<b>1</b> One circuit (black, white, green) <b>2</b> Two circuit or emergency (black, red, white, green)	<b>4</b> 4' luminaire <b>4D</b> 4' luminaire with additional dimming leads (purple, pink) <b>8</b> 8' luminaire <b>8D</b> 8' luminaire with additional dimming leads (purple, pink)

Note: Option code suffix to luminaire catalog number.

# FLP FluxSpace Linear

2', 3', 4' & 8'

## Wireless Controls options

### Emergency Options (ER100)

- Power Sensing (Factory default) – Recommended UL924 option requires unswitched power sense line, absence of voltage on the normal circuit triggers luminaire to 100% output.
- Power Interruption Detection (Field option) – Detects AC power interruption >30ms triggers 90 minute emergency mode with luminaire at 100% output.
- 347V requires step-down transformer and must be ordered indicating Power Sensing or Power Interruption Detection.

### Radio only sensor (RADIO)

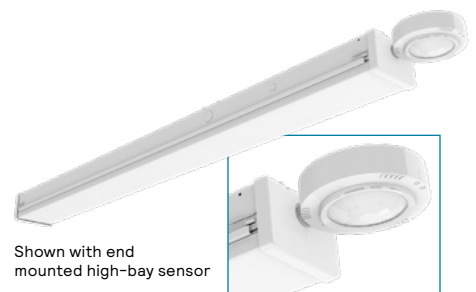
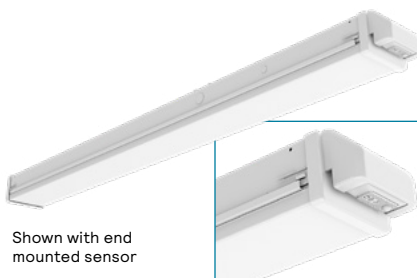
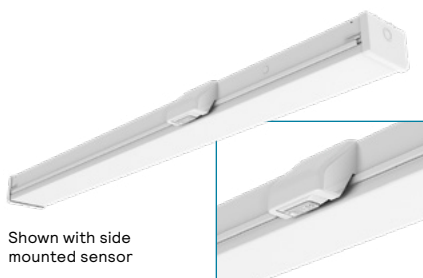
- Integral RADIO only sensor simply enables wireless mesh connectivity to the luminaire without any occupancy or daylight sensing.
- Ideal for applications where sensing functionality is managed by other Interact devices and the luminaire only needs to have wireless connectivity.

### Interact Pro scalable sensor for Foundation, Advanced & Enterprise tiers (SWZCS/SWZCSH and an evolution of SpaceWise)

- SWZCS/SWZCSH is a connected sensor with integral occupancy and daylight sensing and supports wireless mesh connectivity.
- The sensor works in the Foundation mode (similar to SpaceWise) when configured without a gateway or in an Interact Pro Advanced or Enterprise mode if a compatible gateway is used.
- Interact Pro includes an App, a portal and a broad portfolio of wireless luminaires, lamps and retrofit kits all working on the same system.
- Startup is implemented via Interact Pro App (Android or iPhone) & BlueTooth connectivity. The App provides flexibility to choose between a gateway or non gateway mode for setup.
- Setup with the gateway requires wired internet access to the gateway. It is possible to add a gateway at a later point.
- Prepare project configuration steps remotely and use IRT9015 remote onsite to identify and group devices together.
- Compatible with:
  - UID8451/10 wireless dimmer switch
  - SWS200 wireless scene switch
  - Battery powered IP42 presence sensor OCC sensor IA CM WH 10/1
  - Battery powered IP42 presence & daylight sensor OCC-DL sensor IA CM IP42 WH
  - Battery powered IP65 presence sensor OCC sensor IA CM IP65 WH
  - Battery powered IP65 presence & daylight sensor OCC-DL sensor IA CM IP65 WH
- For more information on Interact Pro visit:  
[www.interact-lighting.com/interactproscalablesystem](http://www.interact-lighting.com/interactproscalablesystem)

### Interact Pro scalable sensor bundles for Enterprise tier

- IAOSB option in addition to occupancy and daylight sensing supports advanced IoT capabilities such as people estimation analysis, desk level temperature & humidity sensing, noise classification, and BLE beacon.
- Compatible with UID8451/10 wireless dimmer switch, SWS200 wireless scene switch, wireless Occ sensor (OCC SENSOR IA CM IP42 WH 10/1) and wireless Day/Occ sensor (OCC MULTI SENSOR IA CM WH 10/1) and wireless Occupancy or Daylight & Occupancy sensors available.
- Use Interact software and insights to increase building efficiency, achieve building wide integration and optimize space through occupancy analytics.
- Requires compatible Gateway and internet connectivity for commissioning.
- For more information, visit:  
[www.interact-lighting.com/office](http://www.interact-lighting.com/office) or  
[www.usa.lighting.philips.com/systems/system-areas/offices](http://www.usa.lighting.philips.com/systems/system-areas/offices)



# FLP FluxSpace Linear

2', 3', 4' & 8'

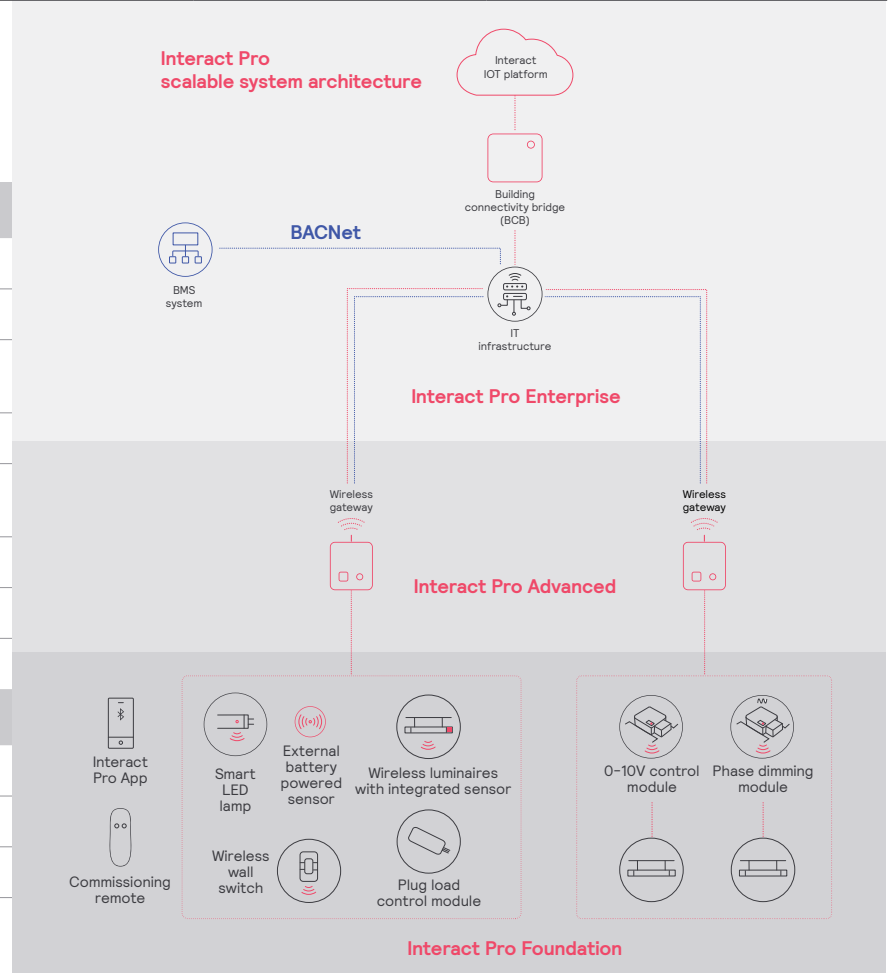
## interact

Interact Pro scalable system			
	Foundation	Advanced	Enterprise
Dimming, grouping, and zoning	✓	✓	✓
Bluetooth and ZigBee enabled	✓	✓	✓
Motion sensing and daylight harvesting	✓	✓	✓
Integration with 0-10V and phase dimming fixtures	✓	✓	✓
Code compliance	✓	✓	✓
Granular dimming and dwell time	✓	✓	✓
Energy reporting and monitoring		✓	✓
Scheduling		✓	✓
Demand response		✓	✓
BMS integration (BACnet)			✓
Floor plan visualization			✓
IoT sensors for wellness			✓
IoT Apps for productivity			✓

### Currently supported maximum system size

To be able to design the lighting system correctly for the customer, it is important to know the prime characteristics of the system, its possibilities and limitations.

System level	
Total number of gateways	Unlimited
Total number of devices	200 per network
<ul style="list-style-type: none"> <li>• luminaires with integrated sensors</li> </ul>	150
<ul style="list-style-type: none"> <li>• smart TLEDS</li> </ul>	150
Total number of ZGP devices (sensors and switches)	50
<ul style="list-style-type: none"> <li>• sensors</li> </ul>	30
<ul style="list-style-type: none"> <li>• switches</li> </ul>	50
<ul style="list-style-type: none"> <li>• zones and groups</li> </ul>	64
Group level	
Recommended number of lights	40 (recommended 25)
Number of ZGP devices	5
Number of scenes	16





# FLP FluxSpace Linear

2', 3', 4' & 8'

## Photometric Test List

Adjustment Factors			
CRI/CCT	Lumen Multiplier	CRI/CCT	Lumen Multiplier
80CRI/3000K	0.94	90CRI/3000K	0.89
80CRI/3500K	0.96	90CRI/3500K	0.91
80CRI/4000K	1.00	90CRI/4000K	0.95
80CRI/5000K	1.00		

Ordering Code	Input Watts	Round lens			Square lens			Uplight lens			No lens		Narrow optic		Wide optic		Aisle optic	
		Lumens	Efficacy	Uplight%	Lumens	Efficacy	Uplight%	Lumens	Efficacy	Uplight%	Lumens	Efficacy	Lumens	Efficacy	Lumens	Efficacy	Lumens	Efficacy
FLP220L840	13.8	1927	140	6.8	1941	141	3.9	1917	139	9.7	2113	153	1988	144	1993	144	1997	145
FLP220LHE840	13.4	1978	148	6.8	1983	148	4.0	1957	146	9.6	2162	161	2052	153	2051	153	2049	153
FLP230L840	22.3	2940	132	6.9	2961	133	3.9	2925	131	9.7	3224	145	3034	136	3041	136	3047	137
FLP230LHE840	21.4	3078	144	6.9	3086	144	4.0	3046	142	9.6	3364	157	3193	149	3192	149	3189	149
FLP240L840	28.8	4012	139	6.9	3993	139	4.1	3975	138	9.9	4332	150	4083	142	4119	143	4102	142
FLP240LHE840	27.8	4084	147	7.1	4047	146	4.1	4052	146	9.7	4495	162	4203	151	4222	152	4194	151
FLP245L840	33.5	4557	136	6.9	4535	135	4.1	4515	135	9.9	4920	147	4637	138	4678	140	4659	139
FLP245LHE840	32.3	4687	145	7.1	4645	144	4.1	4650	144	9.7	5159	160	4824	149	4845	150	4813	149
FLP250L840	37.9	5028	133	6.9	5004	132	4.1	4982	131	9.9	5430	143	5117	135	5163	136	5141	136
FLP250LHE840	36.1	5110	142	7.1	5065	140	4.1	5071	140	9.7	5625	156	5260	146	5283	146	5248	145
FLP260L840	43.9	6129	140	7.0	6074	138	4.1	6081	139	9.7	6746	153	6309	144	6336	144	6294	143
FLP330L840	20.3	3084	152	6.6	3064	152	3.6	3061	152	9.2	3285	162	3085	152	3127	155	3098	153
FLP330LHE840	19.8	3082	156	6.7	3062	155	3.9	3075	155	9.3	3319	168	3083	155	3121	158	3107	157
FLP337L840	25.3	3791	150	6.6	3767	149	3.6	3763	149	9.2	4038	160	3792	150	3844	152	3808	151
FLP337LHE840	24.6	3810	155	6.7	3784	154	3.9	3801	155	9.3	4103	167	3811	155	3858	157	3841	156
FLP345L840	31.1	4572	147	6.6	4533	146	3.6	4564	147	9.4	4896	157	4573	147	4599	148	4575	147
FLP345LHE840	30.2	4637	154	6.8	4575	151	3.8	4625	153	9.5	4989	165	4621	153	4672	155	4656	154
FLP350L840	35.3	5055	143	6.6	5012	142	3.6	5047	143	9.4	5414	153	5057	143	5085	144	5059	143
FLP350LHE840	34.2	5146	150	6.8	5078	148	3.8	5133	150	9.5	5537	162	5129	150	5185	152	5167	151
FLP360L840	42.6	5960	140	6.6	5909	139	3.6	5950	140	9.4	6382	150	5961	140	5995	141	5964	140
FLP360LHE840	41.4	6161	149	6.8	6079	147	3.8	6145	149	9.5	6629	160	6140	149	6208	150	6186	150
FLP430L840	20.0	3039	152	6.6	2999	150	5.3	3065	153	10.9	3239	161	3047	152	3084	153	3079	154
FLP430LHE840	19.6	3106	158	6.6	3070	157	4.9	3111	159	10.4	3290	168	3105	158	3134	160	3125	159
FLP440L840	27.0	3973	147	6.6	3920	145	5.3	4006	148	10.9	4234	157	3983	148	4031	149	4025	149
FLP440LHE840	26.2	4096	156	6.6	4048	154	4.9	4101	157	10.4	4338	166	4094	156	4132	158	4120	157
FLP450L840	34.1	4862	143	6.6	4797	141	5.3	4903	144	10.9	5181	152	4874	143	4933	145	4926	144
FLP450LHE840	32.9	5055	154	6.6	4996	152	4.9	5062	154	10.4	5354	163	5053	154	5100	155	5085	155
FLP460L840	40.8	6076	149	6.6	5929	145	4.3	6003	147	9.8	6401	157	6050	148	6058	148	6057	148
FLP460LHE840	39.6	6164	156	6.6	5964	151	4.7	6061	153	10.1	6523	165	6088	154	6145	155	6122	155
FLP470L840	48.2	7031	146	6.6	6860	142	4.3	6946	144	9.8	7407	154	7001	145	7010	146	7009	146
FLP470LHE840	46.6	7200	155	6.7	6966	149	4.7	7080	152	10.1	7620	163	7112	153	7178	154	7151	153
FLP480L840	56.5	8042	143	6.6	7847	139	4.3	7945	141	9.8	8472	150	8008	142	8019	142	8017	142
FLP480LHE840	54.5	8318	153	6.7	8048	148	4.7	8179	150	10.1	8803	162	8216	151	8293	152	8261	152
FLP490L840	65.7	9015	137	6.6	8839	135	4.3	8955	136	9.8	9556	145	9026	137	9061	138	9082	138
FLP490LHE840	63.2	9389	149	6.7	9152	145	4.7	9318	147	10.1	10056	159	9353	148	9436	149	9405	149
FLP4100L840	74.4	10033	135	6.6	9837	132	4.3	9966	134	9.8	10635	143	10045	135	10084	135	10107	135
FLP4100LHE840	71.7	10531	148	6.7	10265	143	4.7	10451	146	10.1	11279	157	10491	146	10584	148	10549	147
FLP4120L840	83.1	12002	146	6.7	11629	140	4.6	11831	142	10.3	12823	154	12010	144	12110	145	12108	145
FLP860L840	40.0	6121	154	6.6	6039	152	5.3	6173	154	10.9	6523	163	6137	153	6211	155	6202	155
FLP860LHE840	39.0	6256	160	6.6	6184	159	4.9	6265	161	10.4	6627	170	6254	160	6313	162	6294	161
FLP880L840	53.7	8002	149	6.6	7895	147	5.3	8069	150	10.9	8527	159	8022	149	8119	151	8107	151
FLP880LHE840	52.1	8249	158	6.6	8153	156	4.9	8260	159	10.4	8737	168	8246	158	8323	160	8298	159
FLP8100L840	67.9	9792	144	6.6	9661	142	5.3	9874	145	10.9	10435	154	9817	145	9936	146	9920	146
FLP8100LHE840	65.5	10181	155	6.6	10062	154	4.9	10195	156	10.4	10784	165	10177	155	10272	157	10242	156
FLP8120L840	81.2	12237	151	6.6	11940	147	4.3	12090	149	9.8	12892	159	12186	150	12201	150	12200	150
FLP8120LHE840	78.8	12415	158	6.6	12011	152	4.7	12208	155	10.1	13138	167	12262	156	12377	157	12330	156
FLP8140L840	95.9	14160	148	6.6	13817	144	4.3	13990	146	9.8	14918	156	14101	147	14119	148	14117	148
FLP8140LHE840	92.7	14502	157	6.7	14031	151	4.7	14260	154	10.1	15347	165	14324	155	14458	156	14403	155
FLP8160L840	112.4	16197	144	6.6	15804	141	4.3	16003	142	9.8	17064	152	16129	143	16150	144	16148	144
FLP8160LHE840	108.5	16753	154	6.7	16209	149	4.7	16474	152	10.1	17730	163	16548	153	16702	154	16639	153
FLP8180L840	130.7	18156	139	6.6	17803	136	4.3	18036	138	9.8	19247	147	18179	139	18250	140	18292	140
FLP8180LHE840	125.8	18910	150	6.7	18432	147	4.7	18766	149	10.1	20253	161	18838	150	19005	151	18942	151
FLP8200L840	148.1	20206	136	6.6	19813	134	4.3	20073	136	9.8	21420	144	20232	136	20310	137	20358	137
FLP8200LHE840	142.7	21211	149	6.7	20675	145	4.7	21050	148	10.1	22718	159	21130	148	21317	149	21247	149
FLP8240L840	165.6	24173	147	6.7	23421	142	4.6	23828	144	10.3	25827	156	24189	146	24390	147	24386	147



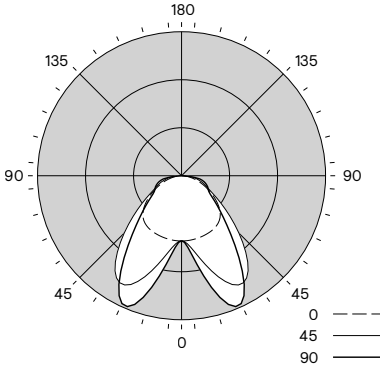
# FLP FluxSpace Linear

2', 3', 4' & 8'

## Photometry

### FLP430L840-A-UNV-DIM

Luminaire Lumens 3079  
 Luminaire Efficacy Rating (LER) 154  
 Total Luminaire Watts 20.0  
 Spacing Criterion (0-180) 1.44  
 Spacing Criterion (90-270) 1.72



Candela Distribution						Flux
	0	22.5	45	67.5	90	Lumens
0	678	678	678	678	678	
5	679	691	713	736	748	71
15	671	764	958	1131	1204	273
25	659	872	1251	1434	1470	527
35	635	927	1209	1109	1043	634
45	571	798	846	665	617	561
55	433	552	504	404	389	422
65	277	326	301	292	304	302
75	146	181	195	222	244	210
85	41	68	82	80	83	80
90	5	4	4	2	2	

Zonal Lumen Summary			
Zone	Lumens	%Fixture	%Lamp
0-30	870	28.3%	28.3%
0-40	1504	48.9%	48.9%
0-60	2487	80.8%	80.8%
0-90	3079	100.0%	100.0%

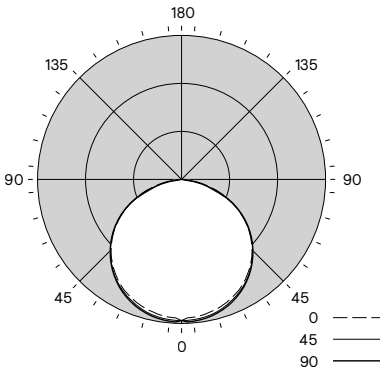
Avg. Luminance (cd/m <sup>2</sup> )				
	0	45	90	
45	6707	9941	7255	
55	6281	7306	5639	
65	5447	5911	5974	
75	4680	6273	7831	
85	3911	7859	7888	

Coefficients of Utilization % (Based on a floor reflectance of 0.2)												
Pc---	80				70				50			0
Pw---	70	50	30	10	70	50	30	50	30	10	0	
RCR												
0	119	119	119	119	116	116	116	111	111	111	100	
1	109	104	100	96	106	102	98	97	94	91	84	
2	99	91	84	78	96	89	83	85	80	76	70	
3	91	80	72	66	88	79	71	76	69	64	60	
4	83	71	63	56	81	70	62	67	60	55	51	
5	76	64	55	48	74	63	54	61	53	47	44	
6	71	57	49	42	69	56	48	55	47	42	39	
7	65	52	43	37	64	51	43	50	42	37	34	
8	61	47	39	33	59	47	39	45	38	33	31	
9	57	43	35	30	55	43	35	42	35	29	27	
10	53	40	32	27	52	39	32	38	31	27	25	

\*Based on a floor reflectance of 0.2

### FLP430L840-L-UNV-DIM

Luminaire Lumens 3239  
 Luminaire Efficacy Rating (LER) 161  
 Total Luminaire Watts 20.1  
 Spacing Criterion (0-180) 1.30  
 Spacing Criterion (90-270) 1.32



Candela Distribution						Flux
	0	22.5	45	67.5	90	Lumens
0	1078	1078	1078	1078	1078	
5	1057	1072	1075	1079	1087	102
15	1027	1042	1047	1048	1056	295
25	968	979	984	988	993	453
35	880	889	894	891	897	557
45	761	767	770	766	770	592
55	610	615	614	613	618	548
65	428	433	431	431	432	424
75	229	230	212	197	202	229
85	48	41	6	5	5	38
90	1	1	1	1	1	

Zonal Lumen Summary			
Zone	Lumens	%Fixture	%Lamp
0-30	851	26.3%	26.3%
0-40	1408	43.5%	43.5%
0-60	2547	78.7%	78.7%
0-90	3239	100.0%	100.0%

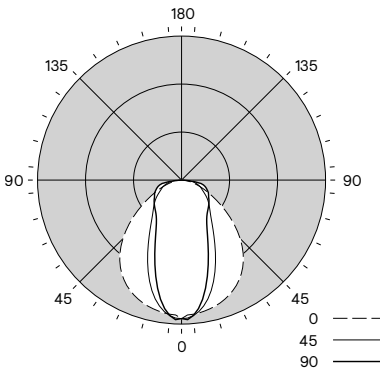
Avg. Luminance (cd/m <sup>2</sup> )				
	0	45	90	
45	8948	9055	9056	
55	8847	8905	8958	
65	8421	8470	8500	
75	7346	6809	6475	
85	4550	525	429	

Coefficients of Utilization % (Based on a floor reflectance of 0.2)												
Pc---	80				70				50			0
Pw---	70	50	30	10	70	50	30	50	30	10	0	
RCR												
0	119	119	119	119	116	116	116	111	111	111	100	
1	109	104	100	96	106	102	98	98	94	91	84	
2	99	90	84	78	96	89	82	85	80	75	70	
3	90	79	71	64	87	78	70	75	68	63	58	
4	82	70	61	54	80	69	60	66	59	53	49	
5	75	62	53	47	73	61	53	59	52	46	43	
6	70	56	47	40	68	55	46	53	46	40	37	
7	64	51	42	36	63	50	41	48	41	35	33	
8	60	46	38	32	58	45	37	44	37	31	29	
9	56	42	34	28	54	42	34	41	33	28	26	
10	52	39	31	26	51	38	31	37	30	25	23	

\*Based on a floor reflectance of 0.2

### FLP430L840-N-UNV-DIM

Luminaire Lumens 3047  
 Luminaire Efficacy Rating (LER) 152  
 Total Luminaire Watts 20.1  
 Spacing Criterion (0-180) 1.24  
 Spacing Criterion (90-270) 0.70



Candela Distribution						Flux
	0	22.5	45	67.5	90	Lumens
0	1732	1732	1732	1732	1732	
5	1683	1707	1701	1691	1699	159
15	1630	1587	1431	1290	1246	401
25	1521	1338	1002	814	768	495
35	1333	994	665	566	551	497
45	1037	669	496	471	475	463
55	673	446	387	397	417	398
65	367	285	284	336	369	316
75	167	171	205	261	303	231
85	45	69	88	86	93	88
90	5	5	4	3	2	

Zonal Lumen Summary			
Zone	Lumens	%Fixture	%Lamp
0-30	1055	34.6%	34.6%
0-40	1552	50.9%	50.9%
0-60	2413	79.2%	79.2%
0-90	3047	100.0%	100.0%

Avg. Luminance (cd/m <sup>2</sup> )				
	0	45	90	
45	12191	5831	5587	
55	9750	5610	6045	
65	7209	5584	7266	
75	5364	6584	9729	
85	4245	8375	8880	

Coefficients of Utilization % (Based on a floor reflectance of 0.2)												
Pc---	80				70				50			0
Pw---	70	50	30	10	70	50	30	50	30	10	0	
RCR												
0	119	119	119	119	116	116	116	111	111	111	100	
1	109	104	100	96	106	102	98	97	94	91	84	
2	99	91	85	79	97	89	83	86	81	76	71	
3	91	81	73	67	89	79	72	76	70	65	61	
4	84	72	64	58	82	71	63	69	62	56	53	
5	78	65	57	50	76	64	56	62	55	50	47	
6	72	60	51	45	70	59	51	57	50	44	41	
7	67	55	46	40	66	54	46	52	45	40	37	
8	63	50	42	36	62	50	42	48	41	36	34	
9	59	47	39	33	58	46	38	45	38	33	31	
10	56	43	36	31	55	43	35	42	35	30	28	

\*Based on a floor reflectance of 0.2

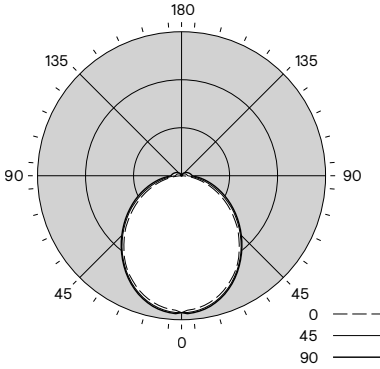
# FLP FluxSpace Linear

2', 3', 4' & 8'

## Photometry

### FLP430L840-Q-UNV-DIM

Luminaire Lumens 2999  
 Luminaire Efficacy Rating (LER) 150  
 Total Luminaire Watts 20.0  
 Spacing Criterion (0-180) 1.20  
 Spacing Criterion (90-270) 1.22



Candela Distribution						Flux
	0	22.5	45	67.5	90	Lumens
0	1046	1046	1046	1046	1046	
5	1024	1037	1042	1045	1050	99
15	976	989	995	998	1004	280
25	884	896	902	906	911	415
35	761	769	778	781	785	485
45	613	622	635	641	646	488
55	455	470	488	498	503	433
65	302	319	339	358	365	334
75	169	177	201	225	235	212
85	38	58	87	113	124	95
90	2	21	48	73	83	

Zonal Lumen Summary			
Zone	Lumens	%Fixture	%Lamp
0-30	793	26.5%	26.5%
0-40	1278	42.6%	42.6%
0-60	2199	73.3%	73.3%
0-90	2840	94.7%	94.7%
0-180	2999	100.0%	100.0%
90-180	155	5.2%	5.2%

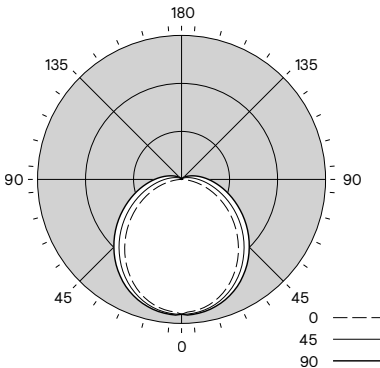
Avg. Luminance (cd/m <sup>2</sup> )				
	0	45	90	
45	7110	6684	6591	
55	6479	6066	5996	
65	5780	5340	5416	
75	4875	4510	4830	
85	3155	3545	4319	

Coefficients of Utilization % (Based on a floor reflectance of 0.2)													
Pc---	80				70				50				0
Pw---	70	50	30	10	70	50	30	50	30	10	0		
RCR													
0	118	118	118	118	114	114	114	108	108	108	95		
1	107	102	98	94	104	99	95	94	91	88	78		
2	97	89	82	76	94	86	80	82	77	72	65		
3	89	78	70	63	86	76	68	72	66	61	55		
4	81	69	60	54	78	67	59	64	57	52	47		
5	75	62	53	46	72	60	52	58	50	45	41		
6	69	56	47	40	67	55	46	52	45	39	36		
7	64	51	42	36	62	50	41	47	40	35	32		
8	60	46	38	32	58	45	37	44	36	31	28		
9	56	42	34	29	54	42	34	40	33	28	25		
10	52	39	31	26	51	38	31	37	30	26	23		

\*Based on a floor reflectance of 0.2

### FLP430L840-R-UNV-DIM

Luminaire Lumens 3039  
 Luminaire Efficacy Rating (LER) 152  
 Total Luminaire Watts 20.0  
 Spacing Criterion (0-180) 1.18  
 Spacing Criterion (90-270) 1.30



Candela Distribution						Flux
	0	22.5	45	67.5	90	Lumens
0	936	936	936	936	936	
5	919	929	933	937	941	89
15	876	889	899	908	913	253
25	793	809	829	848	857	381
35	679	698	731	758	771	456
45	547	569	612	650	665	470
55	407	434	485	530	548	431
65	269	299	358	410	429	351
75	140	176	244	300	321	252
85	33	80	153	207	227	157
90	3	49	118	169	187	

Zonal Lumen Summary			
Zone	Lumens	%Fixture	%Lamp
0-30	723	23.8%	23.8%
0-40	1179	38.8%	38.8%
0-60	2080	68.4%	68.4%
0-90	2840	93.4%	93.4%
0-180	3039	100.0%	100.0%
90-180	199	6.6%	6.6%

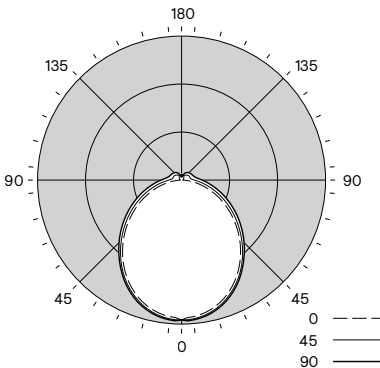
Avg. Luminance (cd/m <sup>2</sup> )				
	0	45	90	
45	6234	5629	5732	
55	5656	5024	5229	
65	4962	4402	4743	
75	4027	3836	4369	
85	2318	3488	4192	

Coefficients of Utilization % (Based on a floor reflectance of 0.2)													
Pc---	80				70				50				0
Pw---	70	50	30	10	70	50	30	50	30	10	0		
RCR													
0	117	117	117	117	114	114	114	107	107	107	93		
1	106	100	95	91	102	97	93	92	88	85	75		
2	96	87	79	73	92	84	77	79	74	69	61		
3	87	76	67	60	84	74	66	70	63	57	51		
4	79	67	58	51	77	65	57	62	54	49	44		
5	73	60	50	44	70	58	50	55	48	42	38		
6	67	54	45	38	65	52	44	50	42	37	33		
7	62	49	40	33	60	48	39	45	38	32	29		
8	58	44	36	30	56	43	35	41	34	29	26		
9	54	41	32	27	52	40	32	38	31	26	23		
10	51	38	30	24	49	37	29	35	28	24	21		

\*Based on a floor reflectance of 0.2

### FLP430L840-U-UNV-DIM

Luminaire Lumens 3065  
 Luminaire Efficacy Rating (LER) 153  
 Total Luminaire Watts 20  
 Spacing Criterion (0-180) 1.18  
 Spacing Criterion (90-270) 1.24



Candela Distribution						Flux
	0	22.5	45	67.5	90	Lumens
0	971	971	971	971	971	
5	952	963	967	971	974	92
15	908	919	925	929	933	260
25	823	833	841	848	853	387
35	705	714	726	735	739	453
45	568	578	592	607	614	457
55	424	434	456	479	488	409
65	284	296	327	357	368	324
75	152	171	212	248	261	222
85	42	70	121	161	176	128
90	9	41	89	129	143	

Zonal Lumen Summary			
Zone	Lumens	%Fixture	%Lamp
0-30	739	24.1%	24.1%
0-40	1192	38.9%	38.9%
0-60	2057	67.1%	67.1%
0-90	2731	89.1%	89.1%
0-180	3065	100.0%	100.0%
90-180	334	10.9%	10.9%

Avg. Luminance (cd/m <sup>2</sup> )				
	0	45	90	
45	4454	3991	3970	
55	4048	3543	3585	
65	3607	3103	3237	
75	3012	2691	2979	
85	2021	2418	2990	

Coefficients of Utilization % (Based on a floor reflectance of 0.2)													
Pc---	80				70				50				0
Pw---	70	50	30	10	70	50	30	50	30	10	0		
RCR													
0	116	116	116	116	112	112	112	105	105	105	89		
1	105	100	95	91	101	97	93	90	87	84	72		
2	95	87	80	74	92	84	78	79	73	69	60		
3	87	76	68	61	84	74	66	69	63	58	50		
4	80	67	59	52	76	65	57	62	55	49	43		
5	73	60	51	45	70	59	50	55	48	42	37		
6	68	54	45	39	65	53	44	50	43	37	33		
7	63	49	40	34	60	48	40	45	38	33	29		
8	58	45	36	31	56	44	36	42	34	29	26		
9	54	41	33	28	53	40	32	38	31	26	23		
10	51	38	30	25	49	37	30	35	29	24	21		

\*Based on a floor reflectance of 0.2

# FLP FluxSpace Linear

2', 3', 4' & 8'

## Photometry

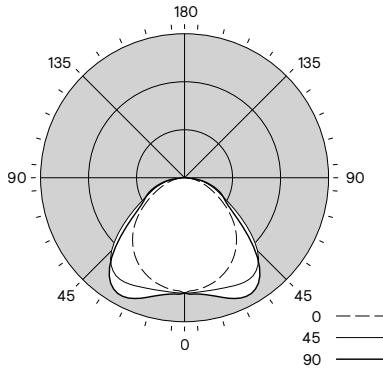
FLP430L840-W-UNV-DIM

Luminaire Lumens 3084  
 Luminaire Efficacy Rating (LER) 153  
 Total Luminaire Watts 20.1  
 Spacing Criterion (0-180) 1.24  
 Spacing Criterion (90-270) 1.60

Candela Distribution						Flux
	0	22.5	45	67.5	90	Lumens
0	961	961	961	961	961	
5	942	956	960	965	973	92
15	908	931	966	1002	1023	274
25	842	888	992	1074	1106	453
35	740	834	997	1055	1074	590
45	599	744	860	829	812	601
55	420	559	569	502	483	469
65	254	336	337	340	347	328
75	135	181	202	214	222	207
85	40	69	72	57	54	70
90	4	4	3	3	2	

Zonal Lumen Summary			
Zone	Lumens	%Fixture	%Lamp
0-30	819	26.6%	26.6%
0-40	1410	45.7%	45.7%
0-60	2479	80.4%	80.4%
0-90	3084	100.0%	100.0%

Avg. Luminance (cd/m <sup>2</sup> )			
	0	45	90
45	7036	10113	9551
55	6090	8250	6993
65	5002	6635	6834
75	4323	6482	7131
85	3825	6868	5112



Coefficients of Utilization % (Based on a floor reflectance of 0.2)											
Pc---	80				70			50		0	
Pw---	70	50	30	10	70	50	30	50	30	10	0
RCR											
0	119	119	119	119	116	116	116	111	111	111	100
1	109	104	100	96	106	102	98	97	94	91	84
2	99	91	84	78	96	89	83	85	80	75	70
3	90	80	72	65	88	78	71	75	69	63	59
4	83	71	62	55	80	69	61	67	60	54	50
5	76	63	54	48	74	62	54	60	52	47	44
6	70	57	48	41	68	56	47	54	46	41	38
7	65	51	43	37	63	51	42	49	42	36	34
8	60	47	38	32	59	46	38	45	37	32	30
9	56	43	35	29	55	42	34	41	34	29	27
10	53	40	32	26	52	39	31	38	31	26	24

\*Based on a floor reflectance of 0.2



© 2024 Signify Holding. All rights reserved. The information provided herein is subject to change, without notice. Signify does not give any representation or warranty as to the accuracy or completeness of the information included herein and shall not be liable for any action in reliance thereon. The information presented in this document is not intended as any commercial offer and does not form part of any quotation or contract, unless otherwise agreed by Signify.

Signify North America Corporation  
 400 Crossing Blvd, Suite 600  
 Bridgewater, NJ 08807  
 Telephone: 800-555-0050

Signify Canada Ltd.  
 281 Hillmount Road,  
 Markham, ON, Canada L6C 2S3  
 Telephone: 800-668-9008

All trademarks are owned by Signify Holding or their respective owners.