

Project: _____

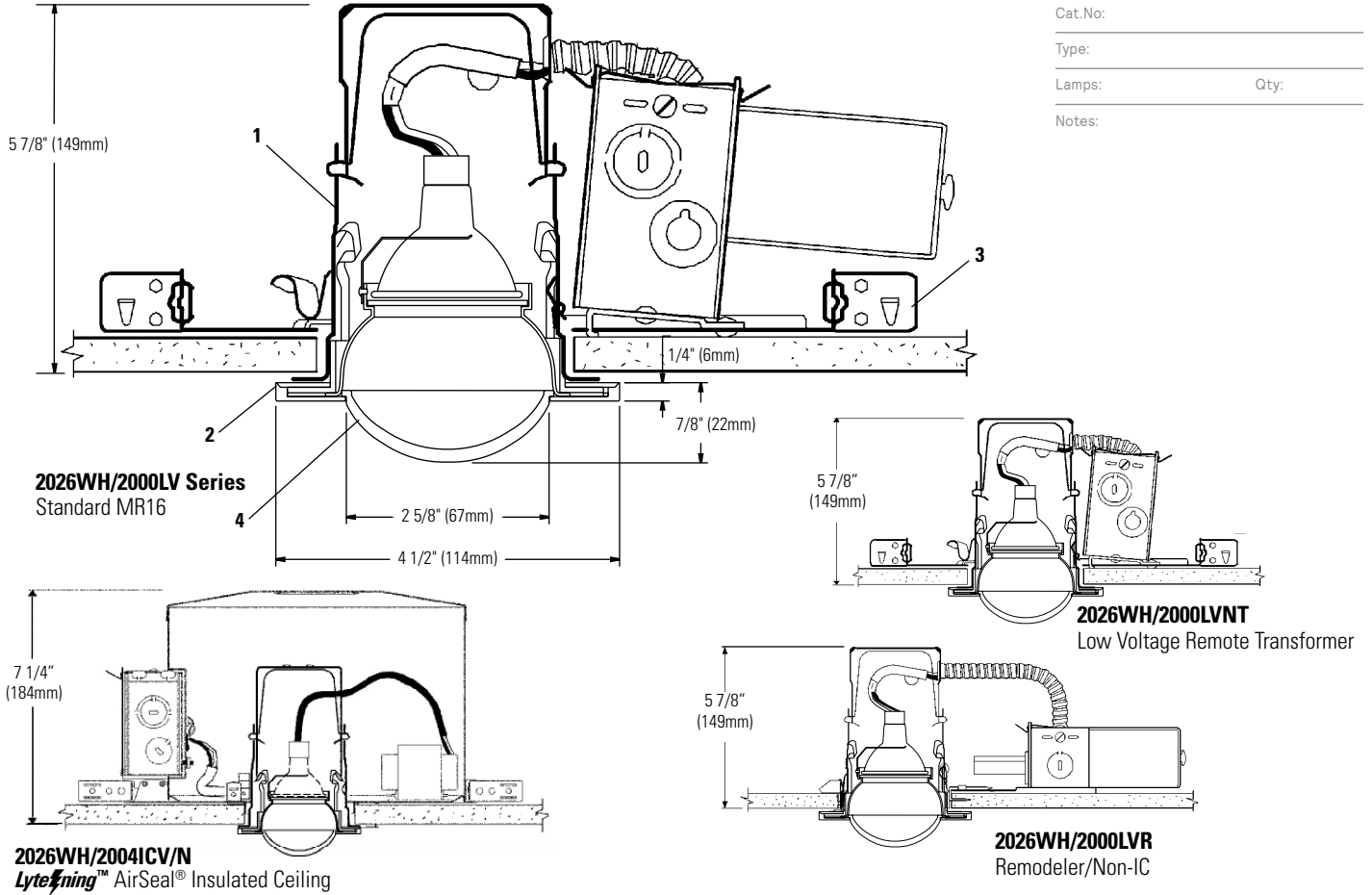
Location: _____

Cat.No: _____

Type: _____

Lamps: _____ Qty: _____

Notes: _____



Complete Fixture consists of Reflector Trim & Frame-In Kit. Select each separately.

Reflector Trim	Frame-In Kit — See Individual Frame-In Kit Specification Sheets			
	Low Voltage			
	Frame-In Kit	Installation Type	Lamping	Height
2026WH Matte White	2000LV	Standard Non-IC	20W-50W MR16	5 7/8"
	2000LVR	Remodeler Non-IC	37W MR16	5 7/8"
	2000LVRE1	Remodeler Non-IC	37W MR16	5 7/8"
	2000LVE1	Electronic Low Voltage Non-IC 120V	20W-50W MR16	5 7/8"
	2000LVE2	Electronic Low Voltage Non-IC 277V		5 7/8"
	2004ICV/N	LyteCasting™ AirSeal® IC	20W-50W MR16	7 1/4"
	2000LVNT	Non-IC (no transformer)	20W-42W MR16	5 7/8"

2026WH Lytecaster Low Voltage 3 3/4"

MR16 Shower Light Trim

Features

1. **Housing:** Galvanized Steel, .026" thick (22 ga.).
2. **Trim Flange:** Die-cast aluminum .060" thick.
3. **Frame-In Kit:** (2000LV standard frame shown) Other frames shown on the right. See Frame-In Kit specification sheets for more details.
4. **Glass:** Frosted Glass Diffuser

Options & Accessories

Retaining Clips: 1955 - For Installing in Existing Ceiling

Labels

UL (Suitable for Wet Locations - Covered Ceiling)

