

CHLORIDE

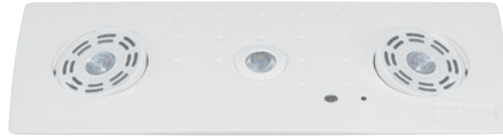
by ignify



Exit/Emergency

Compac

Emergency unit CLUR3



Project: _____
Location: _____
Cat.No: _____
Type: _____
Lamps: _____ Qty: _____
Notes: _____

Chloride Compac emergency unit CLUR3 is a flush mounted emergency designed to complement the rest of the Compac exit/emergency family in looks and reliability. It allows for immediate and safe egress in low light situations and works in harmony within commercial or light industrial applications. The center lamp head is stationary while the two side lamps can be aimed for the perfect left and right angles. This unit comes standard with self-diagnostic/self-test features to assure that it is ready at any time.

Ordering guide

Example: **CLUR3NWTD**

Series	Battery	Color	Options ¹
CLUR3	N		
CLUR3 Compac LED recessed emergency unit, 3 lamps	N Nickel Metal Hydride battery	W White finish B Black finish	1R ² Remote capability TD ³ Time delay LX ⁴ Laser testing

1. Optional features cannot be combined with other optional features
2. **CLUR3** feeds 1 LED remote lamp head
3. 15 minute delay
4. Performs a manual test up to 40ft from unit, See **RLT** accessory for laser tester

Accessories (order separately)

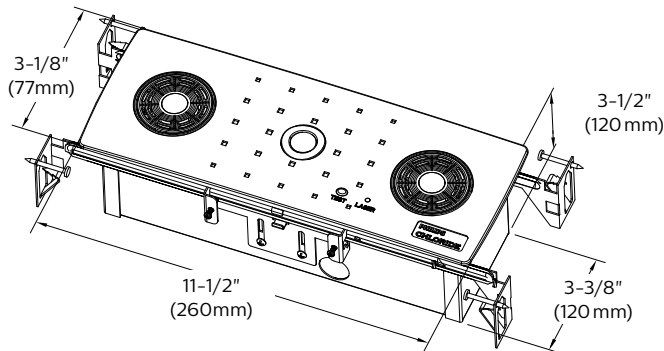
- **RLT** - Remote Laser Tester



CLUR3 Compac recessed emergency lighting unit

Dimensions

CLUR3



Cut out opening: 10-3/4" (273mm) X 3-3/4" (76mm)

Performance

Meets Life Safety Code Illumination standard average of 1.0 FC, no point less than 0.1 FC max to min ratio of 40:1. Assumes open space with no obstructions. NFPA 101, Life Safety Code matches California Fire Code of Regulations, Title 24. Normal operation (off/standby) is not to be confused with emergency operation.

Compac CLUR3 recessed emergency unit performance		
CLUR3 - Ceiling-to-center spacing	80/50/20 Reflectance	
	3' Path	6' Path
Single coverage	60'	54'
Center-to-Center	85'	85'

Mounting height is 10ft, Unit mounted to ceiling.
80/50/20 reflectance based on 6ft corridor and 10ft ceiling height.

CLUR3 Compac recessed emergency lighting unit

Codes and standards

- NFPA 70 (National Electric Code)
- NFPA 101 (Life Safety Code)
- ETL listed to Standard 924
- UL Listed for damp locations

Construction

- Constructed with a 22 gauge steel back box and a flame rated, UV stable, ABS thermoplastic face plate.
- Trim plate contains two semi recessed lamp heads and one fixed recessed lamp source for providing emergency illumination

Installation

- Wall or ceiling mounted

Electronics

- 120/277VAC, 60Hz dual voltage selectable input
- Surge protected, solid state circuitry
- Charging systems are complete with low voltage disconnect (prevents deep discharge of battery), battery lockout (prevents discharge of battery during installation), and brownout protection

Power consumption

- **CLUR3** 120V=0.053W
277V=0.040W

Lamps

- **CLUR3** recessed unit contains three - 2.2W LED lamp heads longlife LED lamp source head (5000K)
- **CLUR3** unit contains two adjustable and one fixed LED light source

Battery

- Maintenance-free sealed 7.2V Nickel Metal Hydride battery
- Manual test switch and LED light indicator
- Supplies emergency illumination for a minimum of 90 minutes
- Batteries have an approximated service life of 6 to 8 years at a operating temperature range of 10°C to 40°C (50°F to 104°F)

Remote capability

- **CLUR3** recessed unit has the capability to provide DC power to one **CLR** single remote unit.

Listings

- California Energy Commission, Title 20 compliant (Battery Charger)

Warranty

- Five year full warranty on unit.

Self-diagnostics/Self-test

The **CLUR3** units contain self-diagnostic/self-test electronics as a standard feature. An automatic self-test is performed every month for 3 minutes, and a 30 minute self-test every six months. A manual test may also be performed at anytime by pressing the manual test button.

Manual testing:

Test button	Length of test
1 press	30 seconds
2 presses	3 minutes
3 presses	30 minutes
4 presses	90 minutes

Self-Diagnostic Red status indicator:

Indicator	Status
One blink	Battery is not connected
Two blinks	Battery voltage has dropped below acceptable value
Three blinks	Charger board circuit fault
Four blinks	Transfer fault
Five blinks	Lamp fault
Six blinks	Remote lamp head fault
Seven blinks	EXIT Led strip fault

The Self-diagnostic/self-test electronics meets the requirements of the National Electric Code and/or the National Fire Protection Association.

